

TR36P

OWNER'S MANUAL

English | Français | Español

Before You Start: Important Information

- Before installing the Polaris® cleaner, make sure the pool filter is clean.
- New plumbing lines should be flushed out before installing the Polaris cleaner.
- The Polaris cleaner should not be used to remove plaster dust in new pools.
- Always disconnect the cleaner before cleaning or backwashing the pool filter.
- After cleaning or backwashing, let the filtration system run for at least five (5) minutes before reconnecting the cleaner.
- Always remove the cleaner from the pool before chemical shock treatments, such as super oxidation or chlorination.
- Solar heating systems, ozone generators, and other air inducing equipment may cause air flow through the cleaner, adversely affecting cleaner balance and performance. Plumb the dedicated cleaner line upstream of these components.
- Highly chlorinated water can cause maintenance problems. Avoid running the Polaris cleaner while chlorinating.

For customer service or support:

- Please mail warranty card immediately.
- For on-line support: www.polarispool.com
- To contact Polaris:
 - US and Canada**
 - Customer Service
 - 2620 Commerce Way
 - Vista, CA 92081-8438
 - 1-800-822-7933

WARNING



To avoid risk of potentially serious injury:

- Do not handle the Polaris cleaner while it is operating, except when checking the wheel RPM.
- Always remove the Polaris cleaner before swimmers enter the pool.

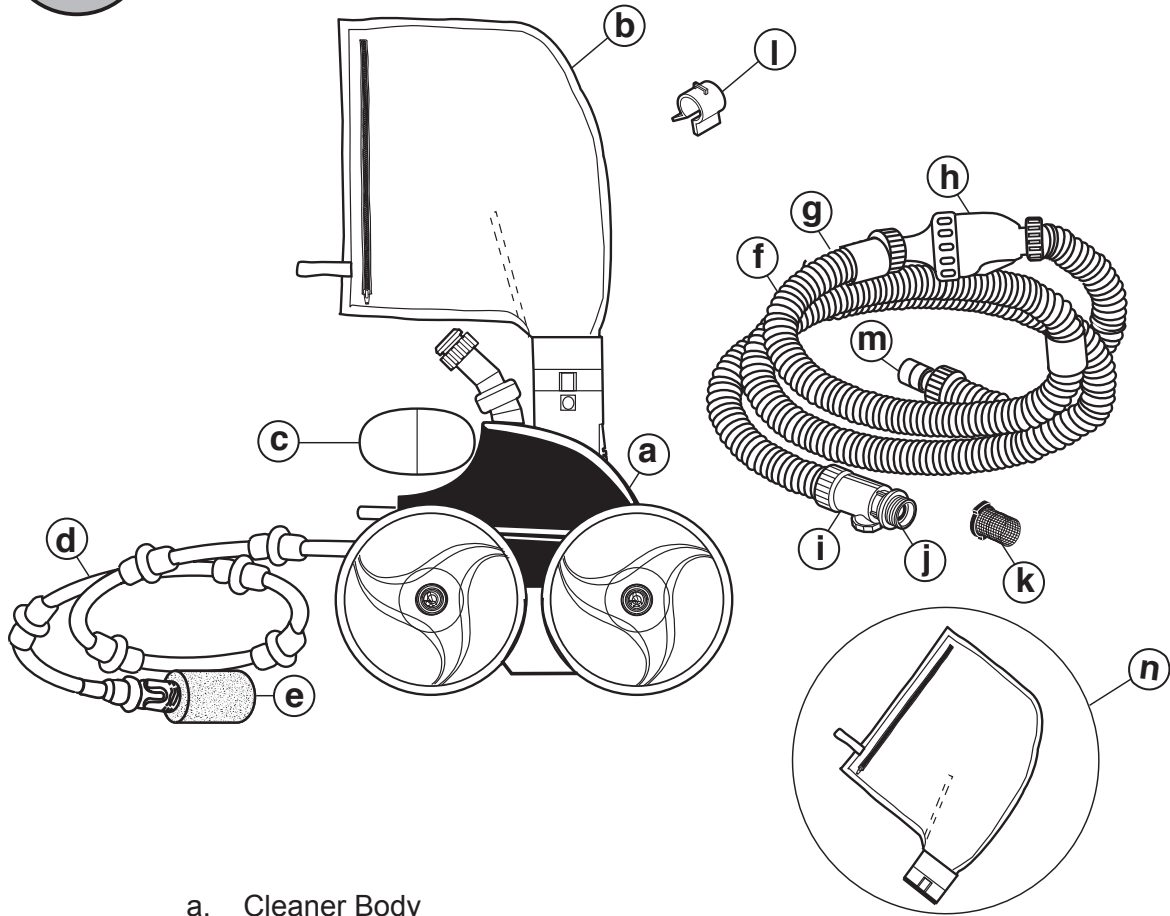
CAUTION

USE OF THE POLARIS CLEANER IN A VINYL LINER POOL

Certain vinyl liner patterns are particularly susceptible to rapid surface wear or pattern removal caused by objects coming into contact with the vinyl surface, including pool brushes, pool toys, floats, fountains, chlorine dispensers, and automatic pool cleaners. Some vinyl liner patterns can be seriously scratched or abraded simply by rubbing the surface with a pool brush. Ink from the pattern can also rub off during the installation process or when it comes into contact with objects in the pool. Zodiac Pool Systems, Inc. is not responsible for, and the Limited Warranty does not cover, pattern removal, abrasion or markings on vinyl liners.



Included in the Box



- a. Cleaner Body
- b. All-Purpose Zipper Bag
- c. Head Float
- d. Sweep Hose
- e. Tail Sweep PRO®
(with Sweep Hose Scrubber)
- f. Feed Hose
- g. Hose Float(s)
- h. Back-up Valve
- i. Quick Disconnect and
Pressure Relief Valve
- j. Universal Wall Fitting (UWF®)
- k. Filter Screen, UWF/QD
- l. Bag Collar
- m. Pressure Tester
- n. Bonus All-Purpose Zipper Bag



Tools Needed for Installation

- Scissors or garden shears
- Pliers
- Tape measure
- Piece of tape
- UWF tool (optional part # 10-102-00)

Installing the Cleaner



Read the complete owner's manual before you begin installation.

1

Prepare the Pool

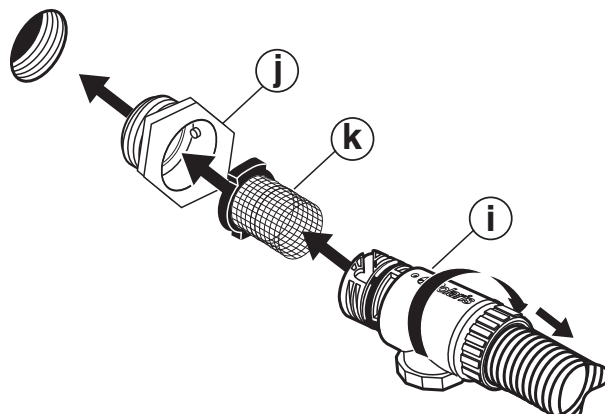
1. Turn on the filtration pump for 2-3 minutes to flush out the plumbing lines.
2. Turn off the filtration pump.
3. Lay hose (f) out on the pool deck in sunlight to relax coils. This will reduce the risk of tangling during cleaning.

2

Install the Universal Wall Fitting

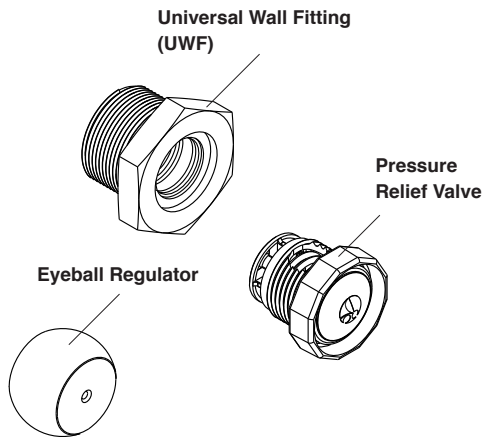
Purpose of installing the UWF®: Once the UWF is properly installed, the Quick Disconnect can be removed each time without removing the UWF.

1. Remove the Universal Wall Fitting (UWF) (j) from the end of the hose (f) and thread (by hand) into the dedicated return line opening in the pool.
2. Make sure the filter screen (k) is firmly seated in the Quick Disconnect (i).
3. Install Quick Disconnect into the UWF by turning clockwise (do not over-tighten), then pull to secure in place.



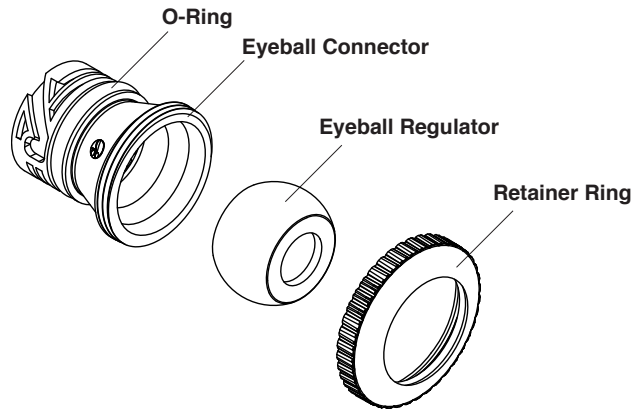
Multiple Return Lines?

If your pool has two or three return lines, use the Eyeball Fitting Connection Kit (part #9-100-8001). This kit provides a Universal Wall Fitting (UWF) and pressure relief valve to be installed into the 2nd return line. Also included is an eyeball regulator, which will replace the existing eyeball if a 3rd return line is present.



Polaris® Cleaner Removed from Pool?

Use the UWF Eyeball Fitting Kit (part #6-511-00) to restore proper water circulation when the cleaner is removed from the pool.

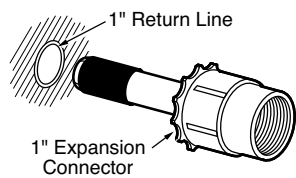


Installing Other Pool Connections

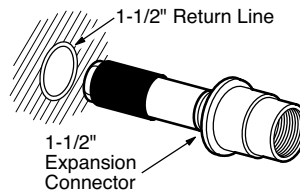
If the pool does not have a dedicated return line, the Polaris TR36P cleaner connects to most common return lines using special adapter kits available for purchase at a participating Polaris dealer.

For pools with plastic-pipe return lines (without pipe threads) that are cut off flush with the pool wall:

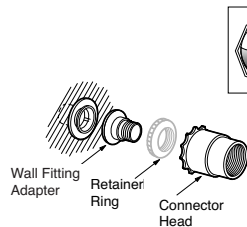
If pipe is 1" in diameter, use 1" Stub Pipe Connection Kit (part #9-100-8002)



If pipe is 1-1/2" in diameter, use 1-1/2" Stub Pipe Connection Kit (part #9-100-8003)



For directional eyeball fittings that do not have a 1-1/2" threaded socket, request the Eyeball Adapter Connection Kit (part #9-100-8005)



Does current fitting look like this?

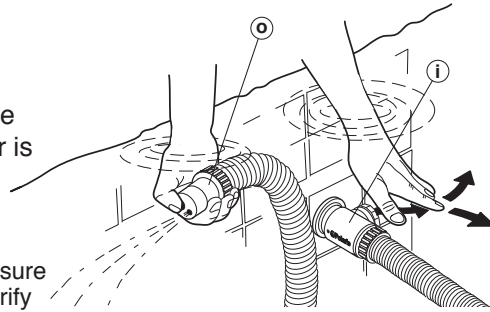
If the UWF and Eyeball Regulators still cannot be installed on the pool, contact your dealer or Customer Service to determine which parts may be necessary.

Pool/Spa Connections Requiring Special Fittings

If a spa is connected to the pool filtration equipment, obtain expansion regulators in addition to one of the kits listed above. Contact your dealer or Customer Service to determine which parts may be necessary.

3 Test Water Pressure

1. Turn on the filtration pump.
2. With the hose connected to the UWF®, hold the pressure tester (o) under water. Cover the large hole with your thumb and confirm water is releasing from the pressure relief valve (i).



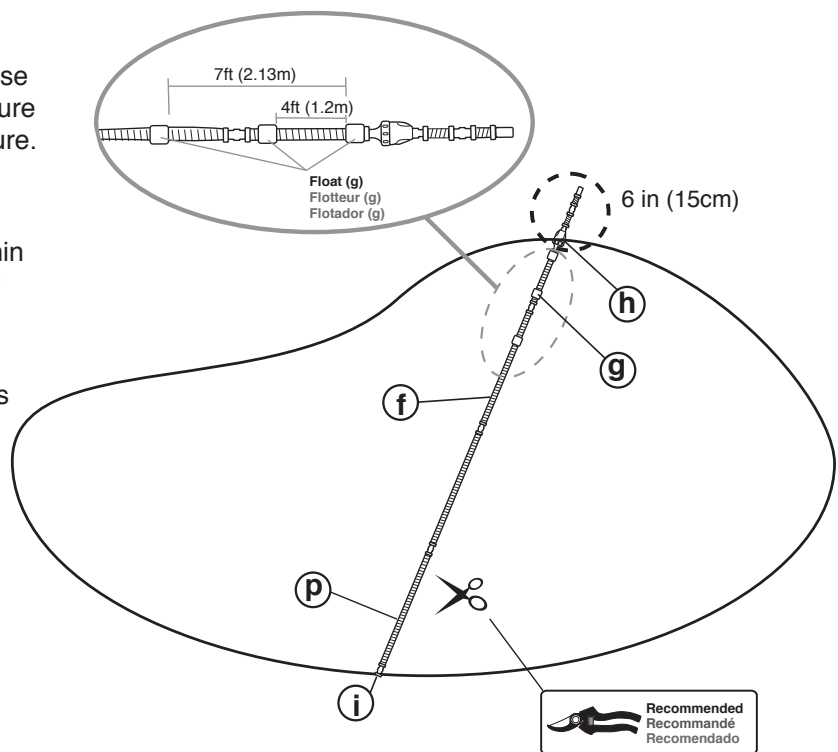
NOTE: There are two holes in the end of the pressure tester. It is important to block the larger hole to verify pressure.

No water flow from pressure relief valve?

- If your Polaris® cleaner is connected to a dedicated cleaner line, adjust the diverter valve to increase the water flow to the cleaner.
- Make sure filter screen (k) is correctly positioned in Quick Disconnect.
- Check skimmer, pump basket, and main filter for debris restricting flow.
- If the Polaris cleaner is connected to one of multiple return lines, verify you have the correct Polaris return line connection kits installed (see page 5 of this manual).

4 Adjust Hose Length

1. Turn the pump on. Hold hose under water until the pressure relief valve releases pressure.
2. Extend the hose to the farthest point of the pool. The hose end must be within 6 inches (15 cm), longer or shorter.
3. Measure the hose with the pressure on and cut excess length from the first hose section (p). (This is the section connected to the Quick Disconnect (i).)
4. Reconnect hose sections.
5. After adjusting the hose length, position the three hose floats as shown.



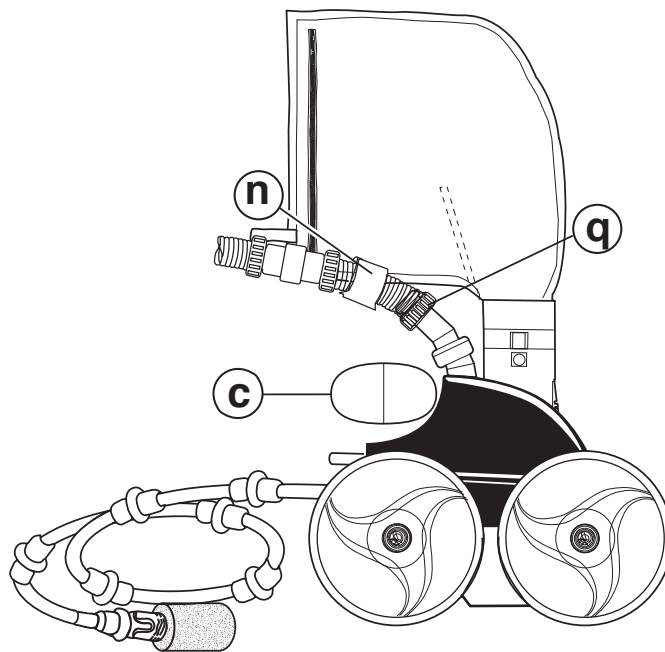
Hose too short?

- Contact your local Polaris dealer. Buy a new hose section. Add to the first hose section (p) and cut until within 6 inches (15 cm).

5

Assemble the Cleaner

1. Remove the pressure tester (o) by unscrewing the hose nut (q).
NOTE: The hose nut has reversed threads.
2. Use the same hose nut (q) and secure the hose to the cleaner body at the feed pipe.
3. Pull the bag up and attach to the hose using the bag clip (n) .
4. Push the head float (c) all the way forward, up against the cleaner body.



Operating the Cleaner



! WARNING

To avoid risk of potentially serious injury, do not swim or use the pool when the cleaner is submerged or operating.

1

Start the Cleaner

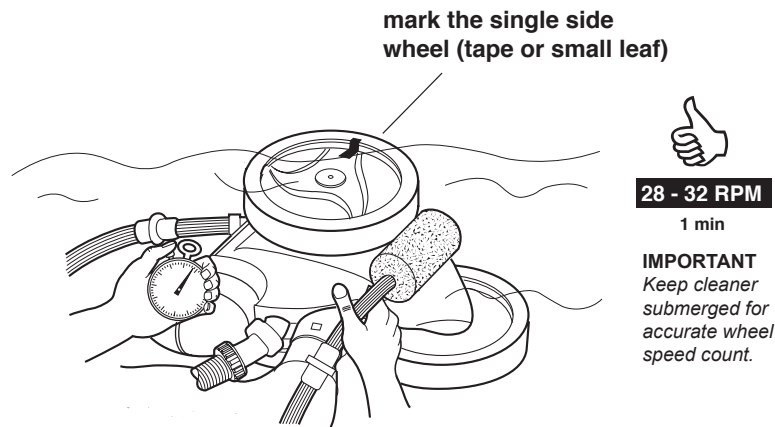
1. Connect hose in the pool at the UWF®.
2. Submerge the cleaner in the pool, allowing it to sink to the bottom.
3. Turn on the filtration pump and allow it to prime. Cleaner will begin to move.

2

Check for Proper Wheel RPM

Before operating the Polaris cleaner®, check for proper wheel revolutions per minute (RPM). For maximum efficiency, the Polaris should operate between 28 and 32 RPM.

1. Mark the single side wheel using using a piece of tape (or a small leaf tucked into the tire).
2. Turn the pump on, hold the cleaner below the water level and count wheel revolutions for one minute.
3. Optimum wheel speed should be **between 28 and 32 RPM**.



3

Adjust the Wheel Speed

Wheel Speed less than 28 RPM?

- Check the filter screen in the Quick Disconnect for debris.
- Clean the skimmer, filter and pump basket.
- Check the hoses, connections, and swivel for leaks.
- If the cleaner is connected to a dedicated return line, adjust the diverter valve to increase water flow.

Wheel Speed more than 32 RPM?

- If the cleaner is connected to a dedicated cleaner line, adjust the diverter valve to reduce the water flow to the cleaner.
- Unscrew the pressure relief valve until proper RPM is reached.
NOTE: For easier removal, use the Polaris® UWF® removal tool (Contact your local Polaris dealer, **Part # 10-102-00**).

Fine Tuning the Cleaner

When operating correctly, the Polaris® cleaner vacuums, sweeps and scrubs all surfaces randomly throughout the pool. The climbing ability depends on the pool's shape and water pressure or flow. The Polaris cleaner climbs best in pools without sharp angles or curves in the transition from the pool floor to the pool wall. Approximately every 3-1/2 minutes the Polaris cleaner goes into back-up mode. This action pulls the Polaris cleaner away from pool obstacles.

Fine tune your cleaner by adjusting the sweep hose or the thrust jet as necessary, for optimal operation.

1 Adjust the Sweep Hose

The sweep hose should move in a gentle sweeping motion. To increase or decrease sweeping motion:

1. Turn the filtration pump OFF.
2. Turn the adjustment screw on the feed pipe (r) counterclockwise to increase sweep hose motion. Turn the adjustment screw clockwise to decrease motion.



Decrease motion

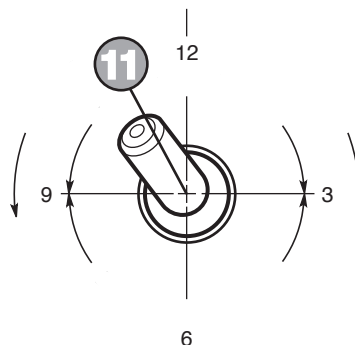


Increase motion

2 Adjust the Thrust Jet

If the cleaner is veering left or right instead of tracking straight, adjust the thrust jet (on the back of the cleaner body) for climbing walls or turning.

NOTE: Factory default setting is eleven o'clock. Only adjust thrust jet to accommodate unique pools shapes.



Routine Maintenance

Perform routine maintenance to prolong the life of your cleaner.

1 Empty the Bag

Empty the bag when it is half full, especially if the dirt load is mostly sand.

NOTE: It is easier to empty a dry bag. Remove the bag and let dry before emptying. Alternate between two bags while drying, so the cleaning cycle is not interrupted.



1. Detach the bag by releasing the prongs.
2. Remove the bag tie collar from the feed hose.
3. Open the closure and dump out the debris.

2 Backwash the Pool Filter

Backwash your pool filter periodically. Always disconnect the Polaris® cleaner from the pool wall before cleaning or backwashing the pool filter. After cleaning or backwashing, let the filtration system run for at least five minutes to flush out the return lines before re-connecting the Polaris cleaner.

3 Storage and Winterizing

NOTE: Never store the cleaner in direct sunlight.

To store the cleaner for the winter:

1. Remove cleaner from the pool and drain all water to avoid freezing water damage (freeze damage is not covered under the warranty).
2. Remove the UWF® from the pool wall using the Quick Disconnect. Use a pulling pressure as you unscrew.
If necessary, use the UWF Removal Tool (part #10-102-00) available from your local Polaris dealer.

Troubleshooting

Problem	Solution
<p>Hangs up on steps or other obstacles for longer than 3 1/2 minutes.</p>	<ol style="list-style-type: none"> 1. Check the wheel RPM. 2. Verify the back-up valve is cycling. 3. Adjust the thrust jet. 4. Remove unnecessary pool hardware or install a Ladder Guard Kit (Part # G21) from a Polaris® dealer. 5. Check the bag and empty if needed.
<p>Cleaner is sluggish, running with less power than normal.</p>	<ol style="list-style-type: none"> 1. Check the filter screen in the Quick Disconnect and clean, if necessary. 2. Clean the skimmer basket, pump basket, and pool filter. 3. Check hoses, connections, and swivels for leaks that could cause loss of water pressure. 4. Check the wheel RPM (between 28 - 32).
<p>Cleaner flies around the pool and/or does not make contact with the bottom.</p>	<ol style="list-style-type: none"> 1. Check the wheel RPM. <ul style="list-style-type: none"> - If cleaner is connected to a dedicated return line with a diverter valve, adjust the valve to decrease water flow to cleaner. - If more than 32 RPM, unscrew the pressure relief valve to decrease water flow to the cleaner. 2. Verify the back-up valve is cycling. Hold the valve out of the water and watch the jet. It should come on and go off every 3 1/2 minutes.
<p>Cleaner does not back up.</p>	<ol style="list-style-type: none"> 1. Verify the back-up valve is cycling every 3 1/2 minutes. 2. Check the wheel RPM (between 28 - 32). 3. If the bag is full, empty it. 4. If the head float has water in it, replace it. 5. Make sure feed hose is floating.
<p>Cleaner only turns in one direction.</p>	<ol style="list-style-type: none"> 1. Adjust the thrust jet. 2. Verify the feed hose assembly is floating properly. Waterlogged hose floats can cause the feed hose to sink. Older hoses may lose buoyancy, replace if needed. 3. If the end of the hose connecting to the cleaner has a curve, align it with the curve in the feed pipe. 4. Make sure that the swivel on the feed pipe turns freely.

Problem	Solution
<p>Feed hose becomes tangled.</p>	<ol style="list-style-type: none"> 1. Remeasure the hose to verify that it is adjusted to the proper length for the pool shape. 2. With the Polaris cleaner operating, check that the swivels in the hose and the hose connections turn freely. 3. Make sure feed hose is floating. 4. With the Polaris® cleaner turned off, spin each of the wheels. All wheels should turn together.
<p>Sweep hose is sucked into the vacuum tube.</p>	<ol style="list-style-type: none"> 1. Make sure the orifice at the end of the sweep hose is not blocked by the sweep hose scrubber. 2. Adjust the sweep hose to a gentle sweeping motion.
<p>Sweep hose sprays too much water out of the pool.</p>	<ol style="list-style-type: none"> 1. Verify the Tail Sweep Pro® is installed correctly. 2. Adjust the speed of the sweep hose by tightening the adjustment screw.
<p>The cleaner does not clean the entire pool.</p>	<ol style="list-style-type: none"> 1. Check the hose length reaches within 6" of the farthest point of the pool. If not, order a new hose section from your Polaris dealer. 2. Check thrust jet for 11 o' clock position that optimizes random turning. 3. With the pump running, turn the cleaner head upside down. Verify the three vacuum jets have consistent unobstructed flow. If not, contact Customer Service or a Polaris authorized Service Center for assistance.
<p>The cleaner is running in circles on its side.</p>	<ol style="list-style-type: none"> 1. Check filter bag, if full it can weigh the cleaner down on one side. 2. Remove the head float and shake it. If there is water in the float, order a new one. 3. The feed hose float should float evenly on the surface of the pool.

Problem	Solution
Cleaner does not climb walls.	<ol style="list-style-type: none"> 1. Verify the wheel speed is 28 - 32 RPM. 2. Verify the thrust jet is in the 11 o'clock position. 3. Verify the head float is positioned all the way forward. 4. Verify the hoses have been cut correctly, following the instructions. 5. With the pump running, turn the cleaner head upside down. Verify the three vacuum jets have consistent unobstructed flow. If not, contact customer service or a Polaris® authorized service center for assistance.
Cleaner tires are slipping on tile or fiberglass pool surface.	<ol style="list-style-type: none"> 1. Verify your cleaner has Polaris PosiTrax® tires installed on all three wheels. Polaris PosiTrax tires are only for use on tile and fiberglass pool surfaces. 2. Verify the wheel speed is 28 - 32 RPM.
Wheels rotate less than 28 times per minute	<ol style="list-style-type: none"> 1. Verify the filter screen, pump baskets, and main filter are clean. 2. Verify there are no leaks in the cleaner hoses, swivels, or connectors. 3. If cleaner is installed on a dedicated cleaner line, adjust the diverter valve to increase flow to the cleaner.
Wheels rotate more than 32 times per minute	<ol style="list-style-type: none"> 1. If cleaner is connected to a dedicated cleaner line, adjust the diverter valve to reduce the water flow to the cleaner. 2. Unscrew the pressure relief valve on the UWF® connector assembly until RPM is between 28 and 32.

Questions?

For replacement parts or additional troubleshooting questions, call or go online.



1.800.822.7933



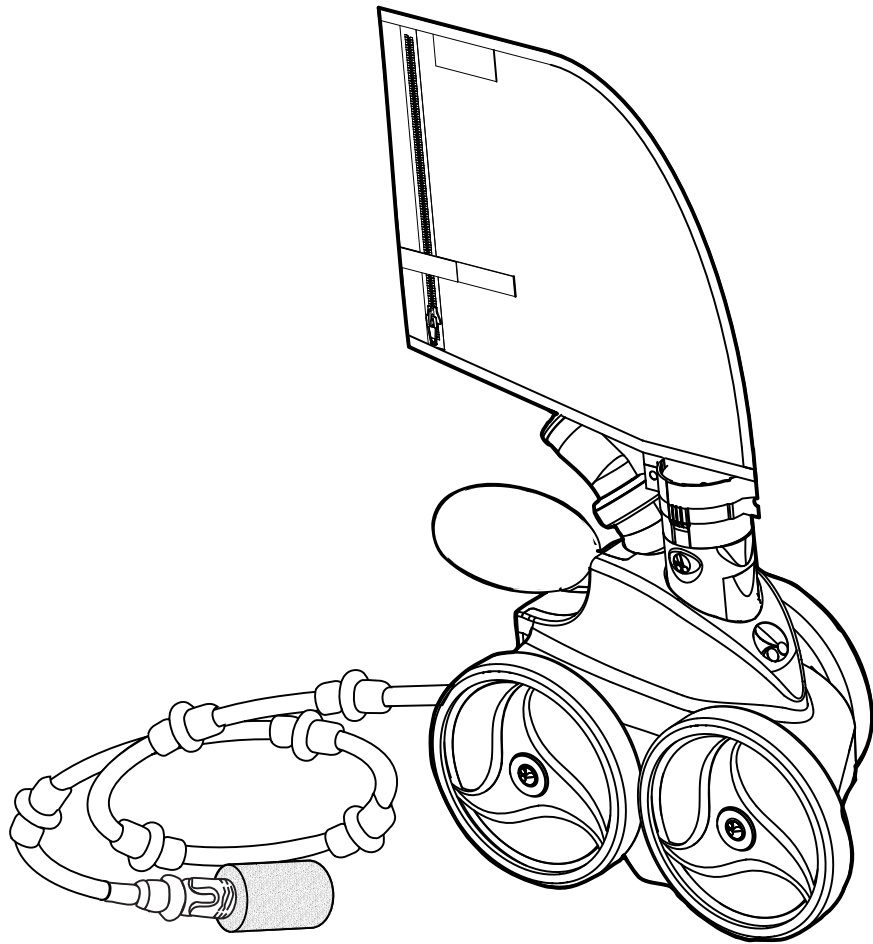
www.polarispool.com

Zodiac Pool Systems, Inc.
2620 Commerce Way, Vista, CA 92081
1.800.822.7933 | www.polarispool.com

*Polaris® and the 3-wheeled cleaner design are registered trademarks of Zodiac Pool Systems, Inc.
All other trademarks referenced herein are the property of their respective owners.*

©2016 Zodiac Pool Systems, Inc. H0570700_REVC





TR36P

MANUEL DU PROPRIÉTAIRE

Avant de commencer: Informations importantes

- Avant d'installer le nettoyeur Polaris®, assurez-vous que le filtre de piscine est propre.
- Rincez les nouvelles conduites de plomberie avant l'installation du nettoyeur Polaris.
- N'utilisez pas le nettoyeur Polaris pour enlever la poussière de plâtre dans les nouvelles piscines.
- Déconnectez toujours le nettoyeur avant de procéder au nettoyage ou au lavage à contre-courant du filtre.
- Après le nettoyage ou le lavage à contre-courant, laissez le système de filtration en marche pendant au moins cinq (5) minutes avant de reconnecter le nettoyeur.
- Retirez toujours le nettoyeur de la piscine avant de procéder à un traitement chimique de choc, notamment de super oxydation ou chloration.
- Les systèmes de chauffage solaire, les générateurs d'ozone et les autres appareils à admission d'air peuvent générer un écoulement d'air au travers du nettoyeur et exercer une influence négative sur son équilibre et ses performances. Raccordez la tuyauterie de nettoyeur dédiée en amont de ces composants.
- L'eau fortement chlorée peut causer des problèmes d'entretien. Évitez d'utiliser le nettoyeur Polaris pendant la chloration.

Pour le service à la clientèle ou l'assistance :

- Veuillez retourner la carte de garantie immédiatement.
- Pour l'assistance en ligne : www.polarispool.com
- Pour contacter Polaris : **États-Unis et Canada**
Customer Service
2620 Commerce Way
Vista, CA 92081-8438
1-800-822-7933



AVERTISSEMENT



Pour réduire les risques de blessures potentiellement graves :

- Ne manipulez pas le nettoyeur Polaris pendant qu'il fonctionne, sauf pour vérifier la vitesse tr/min de la roue.
- Retirez toujours le nettoyeur Polaris avant que des nageurs entrent dans la piscine.

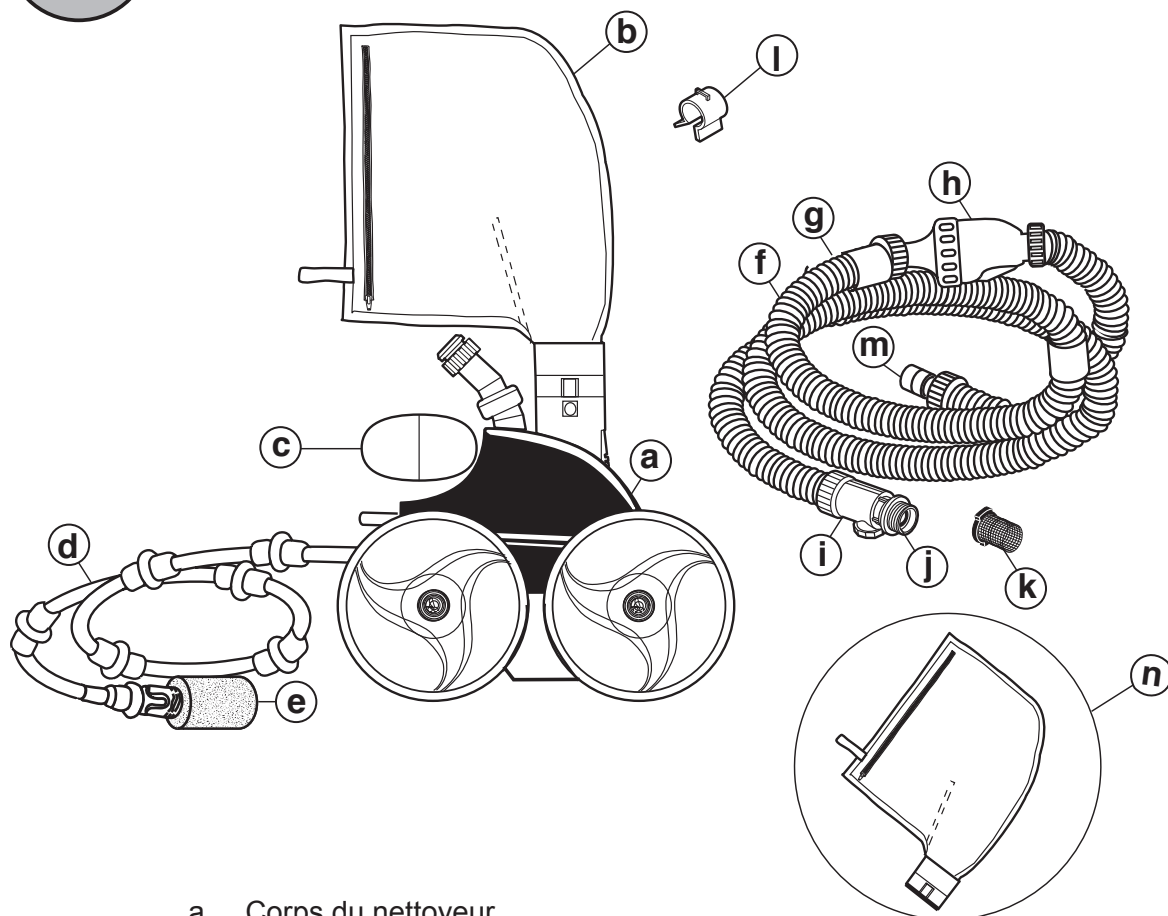
ATTENTION

UTILISATION DU NETTOYEUR POLARIS DANS UNE PISCINE À TOILE EN VINYLE

La surface de certaines toiles en vinyle à motifs peut s'user rapidement et les motifs peuvent disparaître au contact d'objets tels que les brosses de nettoyage, jouets, bouées, fontaines, distributeurs de chlore et nettoyeurs de piscine automatiques. Les motifs de certaines toiles en vinyle peuvent être sérieusement égratignés ou usés par le simple frottement d'une brosse de piscine. La couleur de certains motifs peut également s'effacer pendant l'installation ou en cas de contact avec des objets présents dans la piscine. Les motifs effacés, l'usure ou les traces de frottement sur les toiles en vinyle ne relèvent pas de la responsabilité de Zodiac Pool Systems, Inc. et ne sont pas couverts par la garantie limitée.



Contenu de la boîte



- | | |
|--|---|
| <ul style="list-style-type: none"> a. Corps du nettoyeur b. Sac tout usage à glissière c. Flotteur de tête d. Tuyau de balayage e. Tail Sweep PRO®
(avec brosse de tuyau de balayage) f. Tuyau d'arrivée g. Flotteur(s) de tuyau h. Soupape de recul | <ul style="list-style-type: none"> i. Raccord de déconnexion rapide et soupape de surpression j. Raccord mural universel (UWF®) k. Crépine, UWF/déconnexion rapide l. Collier de serrage du sac m. Testeur de pression n. Sac tout usage à glissière supplémentaire |
|--|---|



Outils requis pour l'installation

- Ciseaux ou cisailles de jardinier
- Pinces
- Ruban à mesurer
- Morceau de ruban adhésif
- Outil UWF (pièce en option n° 10-102-00)

Installation du nettoyeur



Lisez la totalité du manuel du propriétaire avant de commencer l'installation.

1

Préparez la piscine

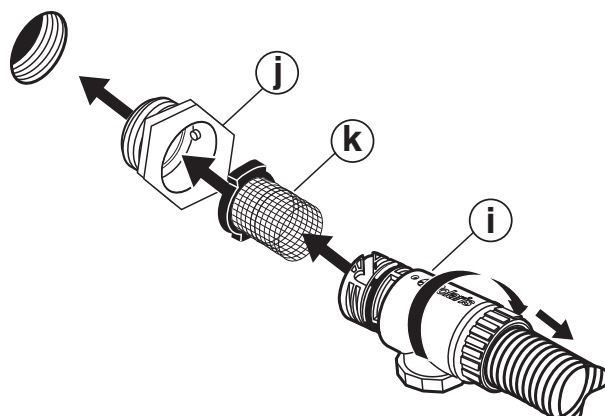
1. Mettez la pompe de filtration en marche pendant 2 à 3 minutes pour rincer les conduites.
2. Arrêtez la pompe de filtration.
3. Disposez le tuyau (f) sur la terrasse de la piscine afin de l'exposer au soleil pour assouplir les rouleaux. Cela réduira les risques d'emmêlement pendant le nettoyage.

2

Installez le raccord mural universel

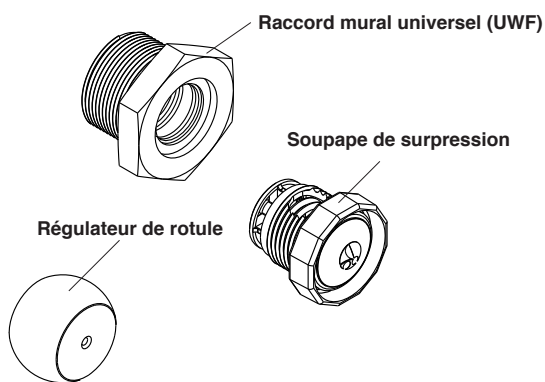
Raison d'installer le raccord UWF®: Lorsque le raccord UWF est correctement installé, vous pouvez retirer le raccord à déconnexion rapide sans avoir à retirer le raccord UWF.

1. Retirez le raccord mural universel (UWF) (j) de l'extrémité du tuyau (f) et vissez-le (à la main) dans l'ouverture de la tuyauterie de retour dédiée dans la piscine.
2. Assurez-vous que la crépine (k) repose fermement dans le raccord à déconnexion rapide (i).
3. Installez le raccord à déconnexion rapide dans le raccord UWF en tournant dans le sens horaire (sans le serrer excessivement), puis tirez pour le verrouiller en place.



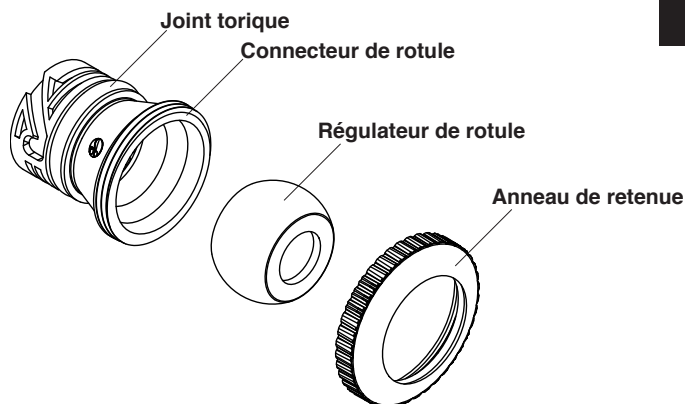
Plusieurs tuyauteries de retour?

Si votre piscine comporte deux ou trois tuyauteries de retour, utilisez l'ensemble de raccordement pour raccord à rotule (pièce n° 9-100-8001). Cet ensemble comprend un raccord mural universel (UWF®) et une soupape de surpression, à installer dans la 2^e tuyauterie de retour. Il contient également un régulateur de rotule, qui doit remplacer la rotule existante si la piscine comporte une 3^e tuyauterie de retour.



Nettoyeur Polaris® retiré de la piscine?

Utilisez l'ensemble de raccord à rotule UWF (pièce n° 6-511-00) pour rétablir une circulation d'eau adéquate lorsque le nettoyeur est retiré de la piscine.

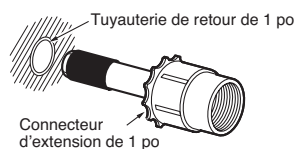


Installation des autres raccords de piscine

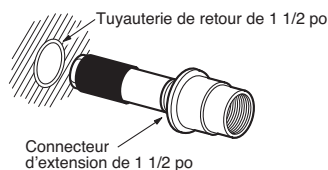
Si la piscine n'est pas équipée d'une tuyauterie de retour dédiée, le nettoyeur Polaris TR36P peut être raccordé à la plupart des tuyauteries de retour standard à l'aide des ensembles d'adaptation spéciaux, disponibles auprès des détaillants Polaris participants.

Pour les piscines équipées de tuyauteries de retour en plastique (sans filetage de tuyau) coupées au même niveau que la paroi de la piscine :

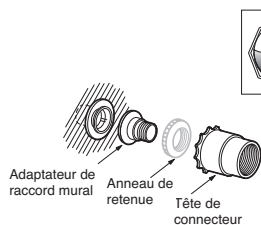
Si le tuyau mesure 1 po de diamètre, utilisez l'ensemble de raccordement de tubulure de 1 po (pièce n° 9-100-8002)



Si le tuyau mesure 1 1/2 po de diamètre, utilisez l'ensemble de raccordement de tubulure de 1 1/2 po (pièce n° 9-100-8003)



Pour les raccords à rotule de type directionnel qui ne possèdent pas d'emboîture fileté de 1 1/2 po, demandez l'ensemble de raccordement pour adaptateur à rotule (pièce n° 9-100-8005)



Le raccord actuel ressemble-t-il à ceci?

Si le raccord UWF et les régulateurs de rotule ne peuvent toujours pas être installés dans la piscine, contactez votre détaillant ou le service à la clientèle pour savoir quelles sont les pièces nécessaires.

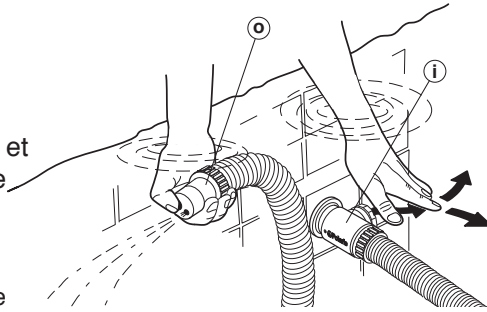
Autres raccordements de piscine/spa nécessitant des raccords spéciaux

Si un spa est raccordé au système de filtration de la piscine, demandez des régulateurs d'expansion au moment de commander l'un des ensembles indiqués ci-dessus. Contactez votre détaillant ou le service à la clientèle pour savoir quelles sont les pièces nécessaires.

3

Effectuez le test de pression d'eau

1. Mettez la pompe de filtration en marche.
2. Avec le tuyau raccordé au raccord UWF®, maintenez le testeur de pression (o) sous l'eau. Recouvrez le grand trou avec le pouce et confirmez que l'eau s'échappe de la soupape de surpression (i).



REMARQUE : L'extrémité du testeur de pression comporte deux trous. Il est important de bloquer le plus grand trou pour vérifier la pression.

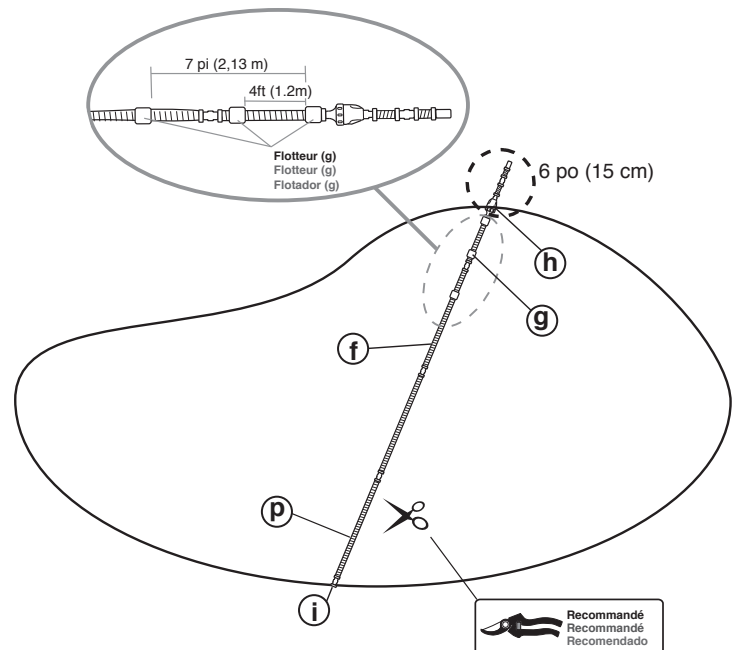
Il n'y a aucun débit d'eau au niveau de la soupape de surpression?

- Si votre nettoyeur Polaris® est raccordé à une tuyauterie de nettoyeur dédiée, réglez la vanne de dérivation de manière à augmenter le débit d'eau au nettoyeur.
- Assurez-vous que la crépine (k) est positionnée correctement dans le raccord à déconnexion rapide.
- Vérifiez l'écumoire, le panier de la pompe et le filtre principal pour vous assurer qu'aucun débris ne limite le débit.
- Si le nettoyeur Polaris est raccordé à l'une de plusieurs tuyauteries de retour, vérifiez que des ensembles adéquats de raccordement pour tuyauterie de retour Polaris sont installés (consultez la page 5 de ce manuel).

4

Ajustez la longueur du tuyau

1. Mettez la pompe en marche. Maintenez le tuyau sous l'eau jusqu'à ce que la soupape de surpression relâche la pression.
2. Tendez le tuyau jusqu'au point le plus éloigné de la piscine. L'extrémité du tuyau doit se trouver à plus ou moins 6 pouces (15 cm) de ce point.
3. Mesurez le tuyau pendant que la pression est présente et coupez la longueur excédentaire de la première section de tuyau (p). (Il s'agit de la section raccordée au raccord à déconnexion rapide (i).)
4. Rebranchez les sections de tuyau.
5. Après l'ajustement de la longueur de tuyau, positionnez les trois flotteurs de tuyau, comme indiqué.



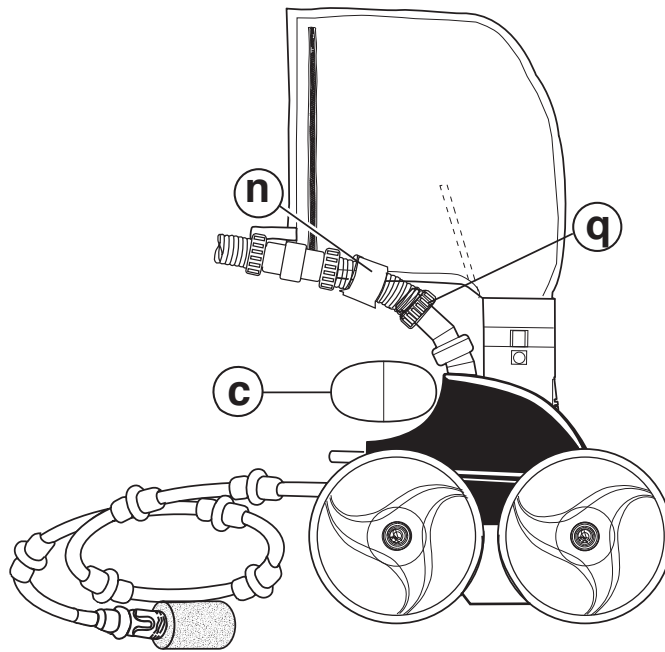
Le tuyau est trop court?

- Communiquez avec votre détaillant Polaris local. Achetez une nouvelle section de tuyau. Ajoutez-la à la première section de tuyau (p) et coupez jusqu'à un maximum de 6 pouces (15 cm).

5

Assemblez le nettoyeur

1. Retirez le testeur de pression (o) en dévissant l'écrou de tuyau (q).
REMARQUE : L'écrou de tuyau est muni de filetages inversés.
2. Utilisez le même écrou de tuyau (q) pour fixer le tuyau au corps du nettoyeur, au niveau du tuyau d'arrivée.
3. Tirez le sac vers le haut et fixez-le au tuyau en utilisant le clip de sac (n).
4. Poussez le flotteur de tête (c) vers l'avant, pour l'appuyer entièrement contre le corps du nettoyeur.



Utiliser le nettoyeur



⚠ AVERTISSEMENT

Pour réduire les risques de blessures potentiellement graves, ne nagez ou n'utilisez pas la piscine pendant que le nettoyeur est submergé ou en cours d'utilisation.

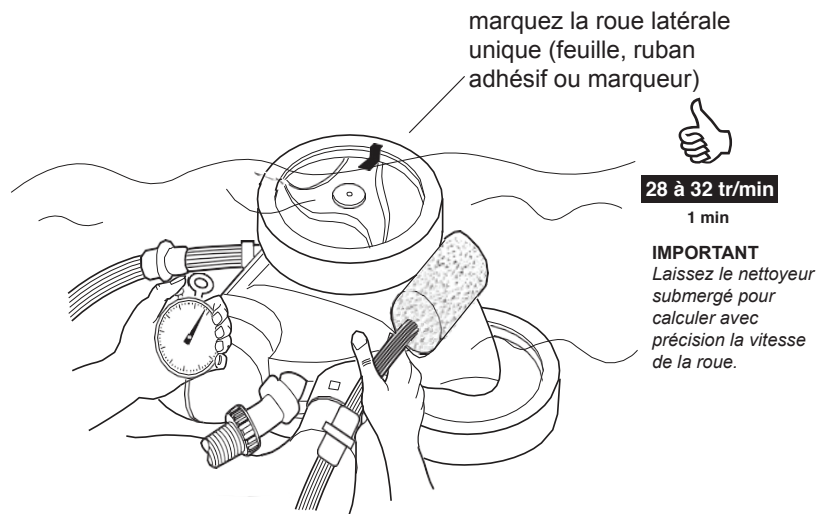
1 Démarrez le nettoyeur

1. Raccordez le tuyau dans la piscine au niveau du raccord UWF®.
2. Submergez le nettoyeur dans la piscine, en le laissant couler au fond.
3. Mettez la pompe de filtration en marche et laissez-la s'amorcer. Le nettoyeur commencera à se déplacer.

2 Vérifiez que la vitesse tr/min de la roue est adéquate

Avant de faire fonctionner le nettoyeur Polaris®, vérifiez que le nombre de tours de roue (tr/min) est adéquat. Pour une efficacité maximale, le Polaris doit fonctionner à une vitesse de 28 à 32 tr/min.

1. Marquez la roue latérale unique à l'aide d'un morceau de ruban adhésif (ou une petite feuille rentrée dans la bande).
2. Mettez la pompe en marche, tenez le nettoyeur sous le niveau de l'eau et comptez le nombre de tours de roue effectués en une minute.
3. La vitesse de roue optimale doit se situer **entre 28 et 32 tr/min**.



3

Réglez la vitesse de la roue

La vitesse de la roue est inférieure à 28 tr/min?

- Vérifiez la crépine dans le raccord à déconnexion rapide pour vous assurer qu'il n'y a aucun débris.
- Nettoyez l'écumoire, le filtre et le panier de la pompe.
- Vérifiez les tuyaux, les raccords et le pivot pour vous assurer qu'il n'y a pas de fuites.
- Si le nettoyeur est raccordé à une tuyauterie de retour dédiée, réglez la vanne de dérivation de manière à augmenter le débit d'eau.

La vitesse de la roue est supérieure à 32 tr/min?

- Si le nettoyeur est raccordé à une tuyauterie de nettoyeur dédiée, réglez la vanne de dérivation de manière à réduire le débit d'eau au nettoyeur.
- Dévissez la soupape de surpression jusqu'à l'obtention de la vitesse tr/min adéquate.
REMARQUE : Pour la retirer plus facilement, utilisez l'outil de retrait Polaris® UWF® (communiqué avec votre détaillant Polaris local, pièce n° 10-102-00).

Réglage de précision du nettoyeur

Lorsqu'il fonctionne correctement, le nettoyeur Polaris® aspire, balaie et frotte toutes les surfaces de la piscine en effectuant un parcours aléatoire. Sa capacité à monter le long des parois dépend de la forme de la piscine et de la pression ou du débit d'eau. Le nettoyeur Polaris grimpe plus facilement dans les piscines sans courbes ni angles marqués dans la transition entre les parois et le fond de la piscine. Le nettoyeur Polaris passe en marche arrière toutes les 3,5 minutes environ. Cette action permet au nettoyeur Polaris de s'éloigner des obstacles.

Réglez avec précision votre nettoyeur en ajustant le tuyau de balayage ou le jet de propulsion, si nécessaire, pour obtenir un fonctionnement optimal.

1

Ajustez le tuyau de balayage

Le tuyau de balayage doit se déplacer dans un mouvement de balayage délicat. Pour augmenter ou diminuer le mouvement de balayage :

1. Arrêtez la pompe de filtration.
2. Tournez la vis de réglage du tuyau d'arrivée (r) dans le sens antihoraire pour augmenter le mouvement du tuyau de balayage. Tournez la vis de réglage dans le sens horaire pour diminuer le mouvement.



Diminuer le mouvement



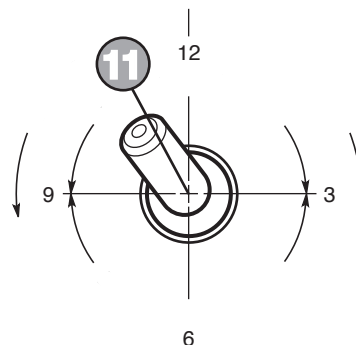
Augmenter le mouvement

2

Réglez le jet de propulsion

Si le nettoyeur dévie vers la gauche ou la droite au lieu de se déplacer en ligne droite, réglez le jet de propulsion (situé à l'arrière du corps du nettoyeur) pour lui permettre de monter le long des parois ou tourner.

REMARQUE: Le réglage d'usine par défaut est onze heures. Réglez le jet de propulsion uniquement pour adapter l'appareil aux formes de piscines uniques.



Entretien de routine

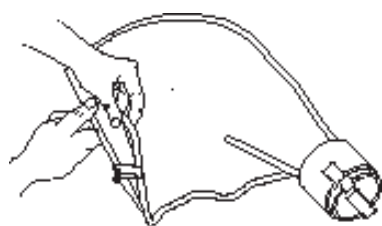
Effectuez l'entretien de routine pour prolonger la durée de vie de votre nettoyeur.

1

Videz le sac

Videz le sac lorsqu'il est à moitié plein, en particulier s'il est surtout rempli de sable.

REMARQUE : Il est plus facile de vider le sac lorsqu'il est sec. Retirez le sac et laissez-le sécher avant de le vider. Alternez entre deux sacs pendant le séchage, afin de ne pas interrompre le cycle de nettoyage.



1. Détachez le sac en relâchant les attaches.
2. Retirez le collier de serrage du tuyau d'arrivée.
3. Ouvrez l'ouverture et videz le sac.

2

Effectuez le lavage à contre-courant du filtre de la piscine

Effectuez périodiquement un lavage à contre-courant du filtre de la piscine. Déconnectez toujours le nettoyeur Polaris® de la paroi de piscine avant de procéder au nettoyage ou au lavage à contre-courant du filtre de la piscine. Après le nettoyage ou le lavage à contre-courant, laissez le système de filtration en marche pendant au moins cinq minutes pour rincer les tuyauteries de retour, puis reconnectez le nettoyeur Polaris.

3

Entreposage et hivérisation

REMARQUE : N'entrez jamais le nettoyeur dans un endroit exposé aux rayons directs du soleil.

Pour l'entreposer pendant l'hiver :

1. Retirez le nettoyeur de la piscine et videz toute l'eau pour éviter que le gel l'endommage (les dommages causés par le gel ne sont pas couverts par la garantie).
2. Retirez le raccord UWF® de la paroi de piscine en utilisant le raccord à déconnexion rapide. Tirez sur celui-ci tout en dévissant.
Si nécessaire, utilisez l'outil de retrait UWF (pièce n° 10-102-00) disponible auprès de votre détaillant Polaris local.

Dépannage

Problème	Solution
Le nettoyeur s'accroche aux marches ou autres obstacles pendant plus de 3,5 minutes.	<ol style="list-style-type: none"> 1. Vérifiez la vitesse de rotation tr/min de la roue. 2. Vérifiez le cycle de la soupape de recul. 3. Réglez le jet de propulsion. 4. Retirez tout matériel inutile de la piscine ou installez un ensemble de protection d'échelle (pièce n° G21) auprès d'un détaillant Polaris®. 5. Vérifiez le sac et videz-le, si nécessaire.
Le nettoyeur se déplace très lentement et fonctionne avec une puissance inférieure à la normale.	<ol style="list-style-type: none"> 1. Vérifiez la crépine dans le raccord à déconnexion rapide et nettoyez-la, si nécessaire. 2. Nettoyez le panier de l'écumoire, le panier de la pompe et le filtre de la piscine. 3. Vérifiez si les tuyaux, raccords et pivots présentent des fuites qui pourraient entraîner une baisse de pression d'eau. 4. Vérifiez la vitesse de rotation tr/min (entre 28 et 32).
Le nettoyeur se déplace rapidement dans la piscine et/ou n'est pas en contact avec le fond.	<ol style="list-style-type: none"> 1. Vérifiez la vitesse de rotation tr/min de la roue. <ul style="list-style-type: none"> - Si le nettoyeur est raccordé à une tuyauterie de retour dédiée avec vanne de dérivation, réglez la vanne de manière à réduire le débit d'eau au nettoyeur. - Si elle est supérieure à 32 tr/min, dévissez la soupape de surpression pour diminuer le débit d'eau au nettoyeur. 2. Vérifiez le cycle de la soupape de recul. Sortez la soupape de l'eau et observez le jet. Il doit fonctionner et s'arrêter à des intervalles de 3,5 minutes.
Le nettoyeur ne recule pas.	<ol style="list-style-type: none"> 1. Vérifiez que le cycle de la soupape de recul s'effectue toutes les 3,5 minutes. 2. Vérifiez la vitesse de rotation tr/min (entre 28 et 32). 3. Videz le sac s'il est plein. 4. Si le flotteur de tête contient de l'eau, remplacez-le. 5. Assurez-vous que le tuyau d'arrivée flotte.
Le nettoyeur tourne dans un seul sens.	<ol style="list-style-type: none"> 1. Réglez le jet de propulsion. 2. Vérifiez que l'assemblage du tuyau d'arrivée flotte correctement. Les flotteurs de tuyau gorgés d'eau peuvent faire couler le tuyau d'arrivée. Les tuyaux plus anciens peuvent perdre de la flottabilité; remplacez-les si nécessaire. 3. Si l'extrémité du tuyau raccordée au nettoyeur est courbée, alignez-le avec la courbe dans le tuyau d'arrivée. 4. Assurez-vous que le pivot et le tuyau d'arrivée tournent librement.

Problème	Solution
<p>Le tuyau d'arrivée s'emmêle.</p>	<ol style="list-style-type: none"> 1. Remesurez la longueur du tuyau et vérifiez qu'elle correspond à celle requise pour la forme de la piscine. 2. Pendant que le nettoyeur Polaris fonctionne, vérifiez que les pivots et raccords de tuyau tournent librement. 3. Assurez-vous que le tuyau d'arrivée flotte. 4. Avec le nettoyeur Polaris® arrêté, faites tourner chacune des roues. Toutes les roues doivent tourner ensemble.
<p>Le tuyau de balayage est aspiré dans le tuyau aspirant.</p>	<ol style="list-style-type: none"> 1. Assurez-vous que l'ouverture à l'extrémité du tuyau de balayage n'est pas bloquée par la brosse du tuyau de balayage. 2. Ajustez le tuyau de balayage de manière à obtenir un mouvement de balayage délicat.
<p>Le tuyau de balayage projette beaucoup d'eau hors de la piscine.</p>	<ol style="list-style-type: none"> 1. Vérifiez que le Tail Sweep Pro® est installé correctement. 2. Réglez la vitesse du tuyau de balayage en serrant la vis de réglage.
<p>Le nettoyeur ne nettoie pas toute la piscine.</p>	<ol style="list-style-type: none"> 1. Vérifiez que le tuyau atteint le point le plus éloigné de la piscine à plus ou moins 6 po. Si ce n'est pas le cas, commandez une nouvelle section de tuyau auprès de votre détaillant Polaris. 2. Vérifiez que le jet de propulsion est orienté à la position 11 heures pour optimiser le déplacement aléatoire. 3. Pendant que la pompe fonctionne, tenez la tête du nettoyeur à l'envers. Vérifiez que les trois jets d'aspiration présentent un débit régulier, sans obstruction. Si ce n'est pas le cas, contactez le service à la clientèle ou un centre de service agréé par Polaris pour obtenir de l'aide.
<p>Le nettoyeur tourne en rond, couché sur le côté.</p>	<ol style="list-style-type: none"> 1. Vérifiez le sac de filtrage; s'il est plein, son poids peut faire basculer le nettoyeur sur le côté. 2. Retirez le flotteur de tête et secouez-le. S'il contient de l'eau, commandez un nouveau flotteur. 3. Le flotteur du tuyau d'arrivée doit flotter uniformément à la surface de la piscine.

Problème	Solution
<p>Le nettoyeur ne monte pas le long des parois.</p>	<ol style="list-style-type: none"> 1. Vérifiez que la vitesse de la roue se situe entre 28 et 32 tr/min. 2. Vérifiez que le jet de propulsion est orienté à la position 11 heures. 3. Vérifiez que le flotteur de tête est positionné entièrement vers l'avant. 4. Vérifiez que les tuyaux ont été coupés correctement, en suivant les instructions. 5. Pendant que la pompe fonctionne, tenez la tête du nettoyeur à l'envers. Vérifiez que les trois jets d'aspiration présentent un débit régulier, sans obstruction. Si ce n'est pas le cas, contactez le service à la clientèle ou un centre de service agréé par Polaris® pour obtenir de l'aide.
<p>Les roues du nettoyeur glissent sur les surfaces de piscine en carreaux ou en fibre de verre.</p>	<ol style="list-style-type: none"> 1. Assurez-vous d'installer des bandes Polaris PosiTrax® sur les trois roues de votre nettoyeur. Les bandes Polaris PosiTrax doivent être utilisées uniquement sur les surfaces de piscine en carreaux ou en fibre de verre. 2. Vérifiez que la vitesse de la roue se situe entre 28 et 32 tr/min.
<p>Les roues effectuent moins de 28 rotations par minute</p>	<ol style="list-style-type: none"> 1. Vérifiez que la crépine, les paniers de la pompe et le filtre principal sont propres. 2. Vérifiez que les tuyaux, pivots et raccords du nettoyeur ne présentent aucune fuite. 3. Si le nettoyeur est installé sur une tuyauterie de nettoyeur dédiée, réglez la vanne de dérivation de manière à augmenter le débit au nettoyeur.
<p>Les roues effectuent plus de 32 rotations par minute</p>	<ol style="list-style-type: none"> 1. Si le nettoyeur est raccordé à une tuyauterie de nettoyeur dédiée, réglez la vanne de dérivation de manière à réduire le débit d'eau au nettoyeur. 2. Dévissez la soupape de surpression de l'assemblage du raccord UWF® jusqu'à ce que la vitesse se situe entre 28 et 32 tr/min.

Questions?

Pour obtenir des pièces de rechange ou des réponses à d'autres questions de dépannage, appelez-nous ou visitez notre site.



1.800.822.7933



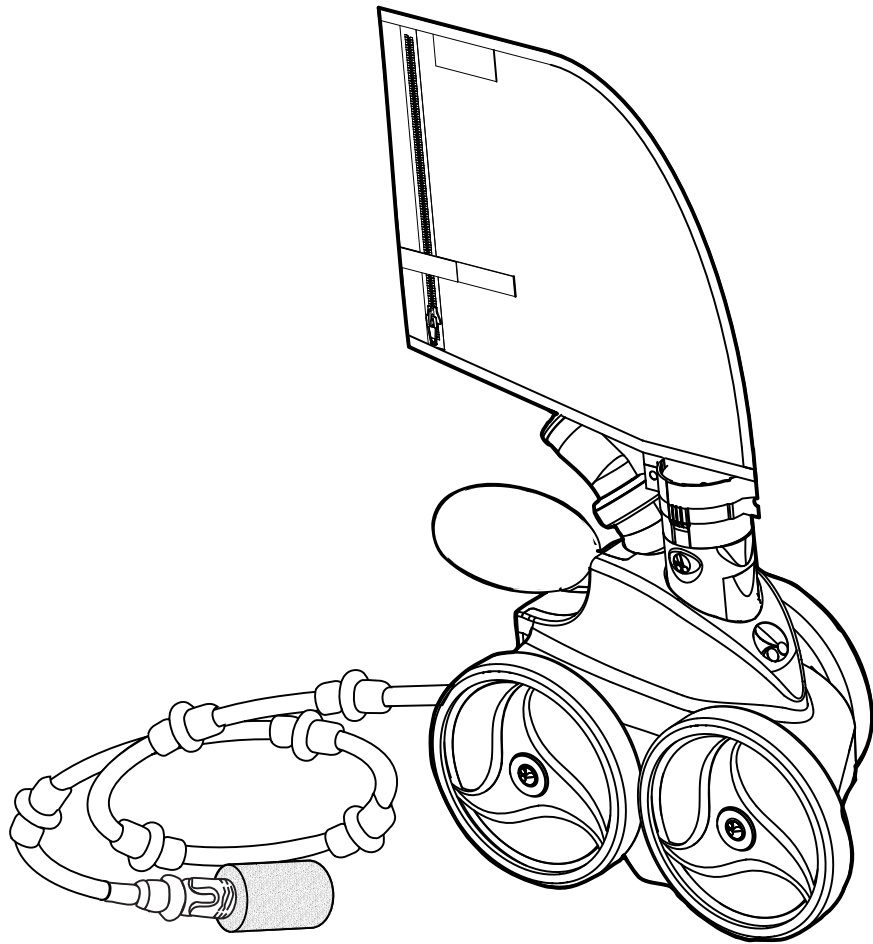
www.polarispool.com

Zodiac Pool Systems, Inc.
2620 Commerce Way, Vista, CA 92081
1.800.822.7933 | www.polarispool.com

*Polaris® et la conception de nettoyeur à 3 roues sont des marques déposées de Zodiac Pool Systems, Inc.
Toutes les autres marques de commerce citées dans le présent document appartiennent à leurs propriétaires respectifs.*

©2016 Zodiac Pool Systems, Inc. H0570700_REVC





TR36P

MANUAL DEL USUARIO

Antes de comenzar: Información importante

- Antes de instalar el limpiafondos de Polaris®, asegúrese de que el filtro de la piscina esté limpio.
- Los circuitos de cañerías nuevos deben purgarse antes de instalar el limpiafondos Polaris.
- El limpiafondos Polaris no debe usarse para eliminar polvo de yeso en piscinas nuevas.
- Siempre desconecte el limpiafondos antes de limpiar o retrolavar el filtro de la piscina.
- Luego de limpiar o retrolavar, deje el sistema de filtrado funcionando durante al menos cinco (5) minutos antes de volver a conectar el limpiafondos.
- Siempre retire el limpiafondos de la piscina antes de tratamientos químicos, como súper oxidación o cloración.
- Los sistemas de calefacción solar, los generadores de ozono y otro equipo inductor de aire pueden inyectar flujo de aire a través del limpiafondos, lo que afecta de manera adversa el equilibrio y desempeño del limpiafondos. Conecte el circuito exclusivo del limpiafondos de forma ascendente con respecto a estos componentes.
- El agua con mucho cloro puede causar problemas de mantenimiento. Evite poner en funcionamiento el limpiafondos Polaris durante el tratamiento con cloro.

Para obtener servicio o atención al cliente:

- Envíe de inmediato la tarjeta de garantía por correo:
- Para asistencia en línea: www.polarispool.com
- Para contactar a Polaris: **Estados Unidos y Canadá**
Atención al Cliente
2620 Commerce Way
Vista, CA 92081-8438
1-800-822-7933

ADVERTENCIA



Para evitar el riesgo de lesiones posiblemente graves:

- No manipule el limpiafondos Polaris mientras está en funcionamiento, excepto para chequear las RPM de las ruedas.
- Siempre retire el limpiafondos Polaris antes de que ingresen personas a la piscina.

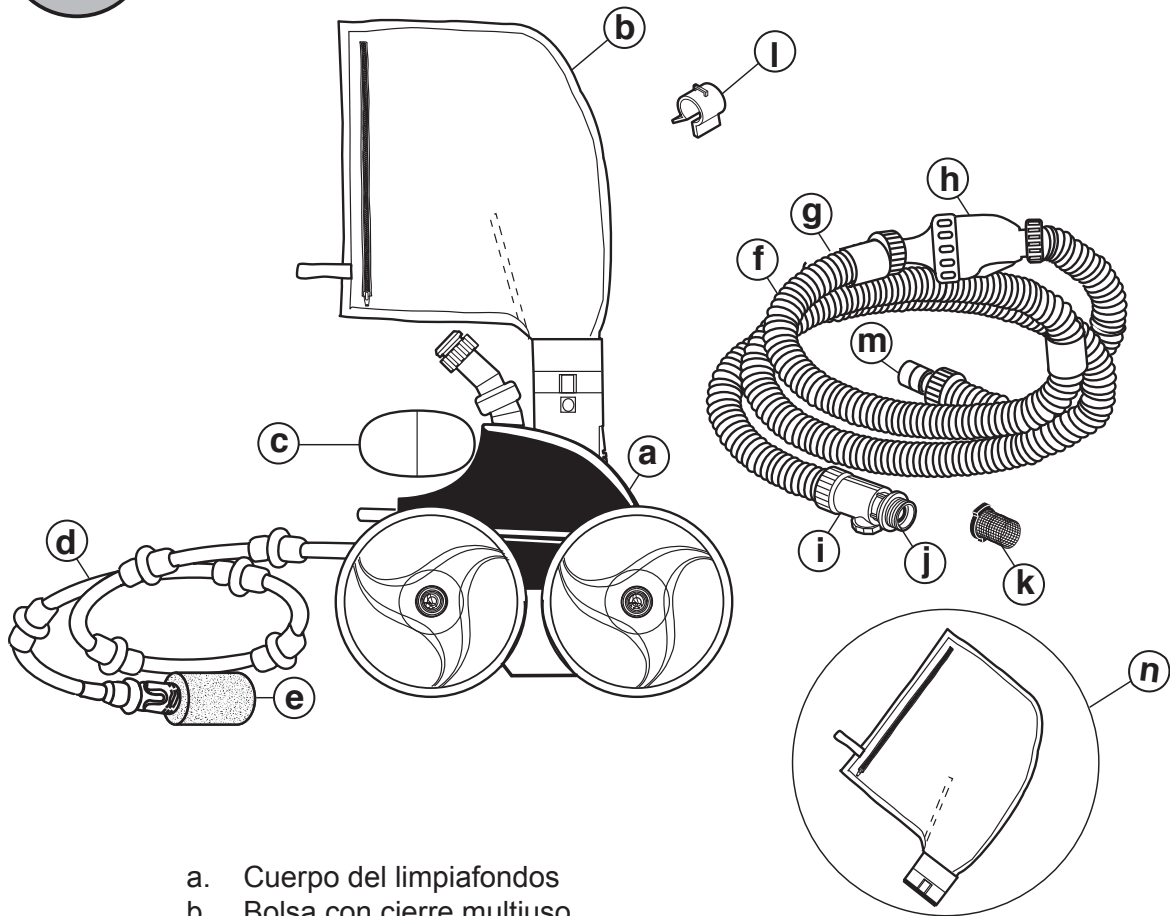
PRECAUCIÓN:

USO DEL LIMPIAFONDOS POLARIS EN UNA PISCINA CON REVESTIMIENTO DE VINILO

Determinados diseños de revestimiento de vinilo son particularmente susceptibles al desgaste rápido de la superficie o a la desaparición del diseño a causa de los objetos que entran en contacto con la superficie de vinilo tales como cepillos para piscinas, juguetes para piscinas, flotadores, fuentes, dosificadores de cloro y limpiafondos automáticos. Algunos diseños de revestimiento de vinilo pueden rayarse o desgastarse mucho simplemente por la fricción de la superficie con un cepillo para piscinas. La tinta del estampado también puede borrarse durante el proceso de instalación o cuando entra en contacto con objetos en la piscina. Zodiac Pool Systems, Inc. no es responsable y la Garantía Limitada no cubre desgastes, abrasiones ni marcas en el revestimiento de vinilo.



Incluida en la Caja



- a. Cuerpo del limpiafondos
- b. Bolsa con cierre multiuso
- c. Flotador del cabezal
- d. Manguera de barrido
- e. Tail Sweep PRO®
(con depurador de manguera de barrido)
- f. Manguera de alimentación
- g. Flotador(es) de la manguera
- h. Válvula anti-retorno
- i. Desconector rápido y Válvula de alivio de presión
- j. Conector universal de pared (UWF®)
- k. Rejilla del filtro, UWF/QD
- l. Fijador para bolsa
- m. Comprobador de presión
- n. Bolsa con cierre multiuso Extra



Herramientas necesarias para la instalación

- Tijeras o tijeras de podar
- Pinzas
- Cinta métrica
- Pedazo de cinta adhesiva
- Herramienta UWF (parte opcional # 10-102-00)

Instalación del limpiafondos



Lea el manual del usuario completo antes de comenzar la instalación.

1

Prepare la piscina

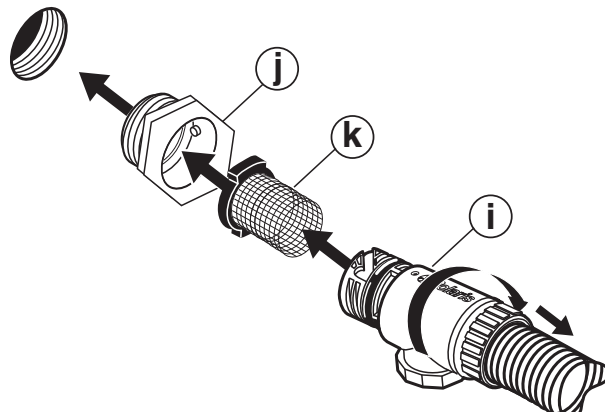
1. Encienda la bomba de filtrado durante 2-3 minutos para purgar los circuitos de cañerías.
2. Apague la bomba de filtrado.
3. Extienda la manguera (f) bajo el sol en el área que bordea la piscina para aflojar los rollos. Esto reducirá el riesgo de que se enreden durante la limpieza.

2

Instale el Conector universal de pared

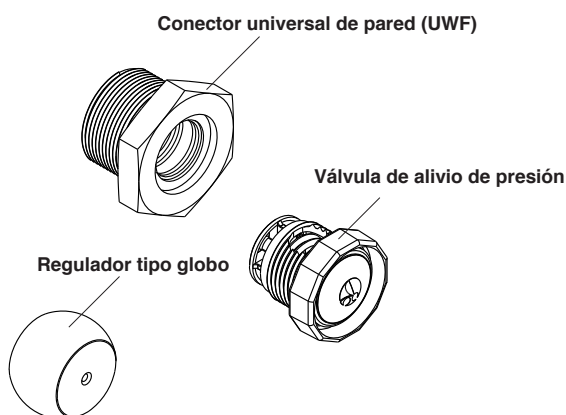
Objetivo de instalar el UWF®: Una vez que el UWF está instalado de forma apropiada, puede retirarse el desconector rápido sin quitar el UWF.

1. Quite el conector universal de pared (UWF) (j) del extremo de la manguera (f) y enrósquelo (manualmente) en el orificio destinado al circuito de retorno en la piscina.
2. Asegúrese de que la rejilla del filtro (k) esté firmemente ubicada en el Desconector rápido (i).
3. Instale el Desconector Rápido en el UWF girándolo en el sentido de las agujas del reloj (no ajuste demasiado), luego tire para asegurarlo.



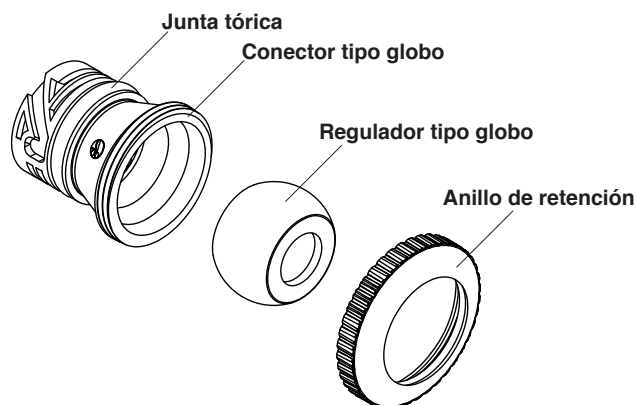
¿Circuitos de retorno múltiples?

Si su piscina tiene dos o tres circuitos de retorno, use el Kit de conexión tipo globo (**parte #9-100-8001**). Este kit le brinda un Conector universal de pared (UWF®) y una válvula de alivio de presión que debe instalarse en el segundo circuito de retorno. También se incluye un regulador tipo globo, que reemplazará al conector existente si hay un tercer circuito de retorno.



¿El limpiafondos Polaris® se encuentra fuera de la piscina?

Use el Kit de conexión tipo globo UWF (**parte #6-511-00**) para restaurar la circulación apropiada del agua cuando se retira el limpiafondos de la piscina.

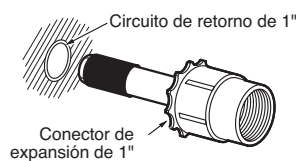


Cómo instalar otras conexiones para piscina

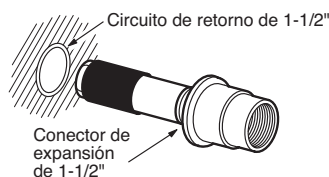
Si la piscina no tiene un circuito de retorno exclusivo, el limpiafondos Polaris TR36P se conecta a la mayoría de los circuitos de retorno usando un kit adaptador especial, disponible en los distribuidores participantes de Polaris.

Para piscinas con circuitos de retorno con tuberías de plástico (sin rosca para tubos) que están cortadas con la pared de la piscina:

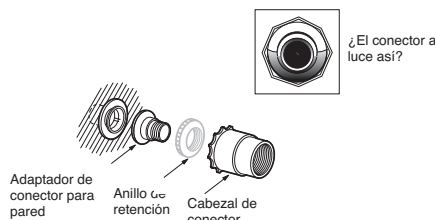
Si la cañería tiene 1" de diámetro, use el Kit de conexión de tubo corto de 1" (**parte #9-100-8002**)



Si la cañería tiene 1-1/2" de diámetro, use el Kit de conexión de tubo corto de 1-1/2" (**parte #9-100-8003**)



Para accesorios tipo globo direccionales que no tienen una toma roscada de 1-1/2", solicite el kit de conexión de adaptador tipo globo (**parte #9-100-8005**)



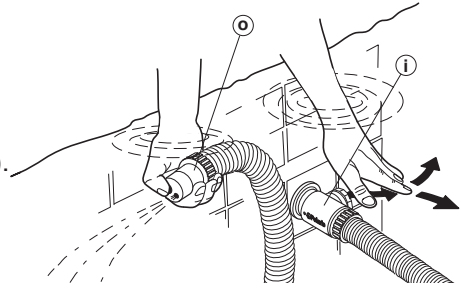
Si aún no puede instalar el UWP y los reguladores tipo globo en la piscina, contacte a su distribuidor o Atención al Cliente para determinar qué partes necesita.

Conexiones de piscina/spa que requieren accesorios especiales

Si se conecta un spa al equipo de filtración de la piscina, obtenga reguladores de expansión además de uno de los kits que se enumeran a continuación. Contacte a su distribuidor o Servicio de Atención al Cliente para determinar qué partes necesita.

3 Pruebe la presión del agua

1. Encienda la bomba de filtrado.
2. Con la manguera conectada al UWF®, mantenga el comprobador de presión (o) bajo agua. Cubra el orificio más grande con su pulgar y confirme que el agua se escapa de la válvula de alivio de presión (i).



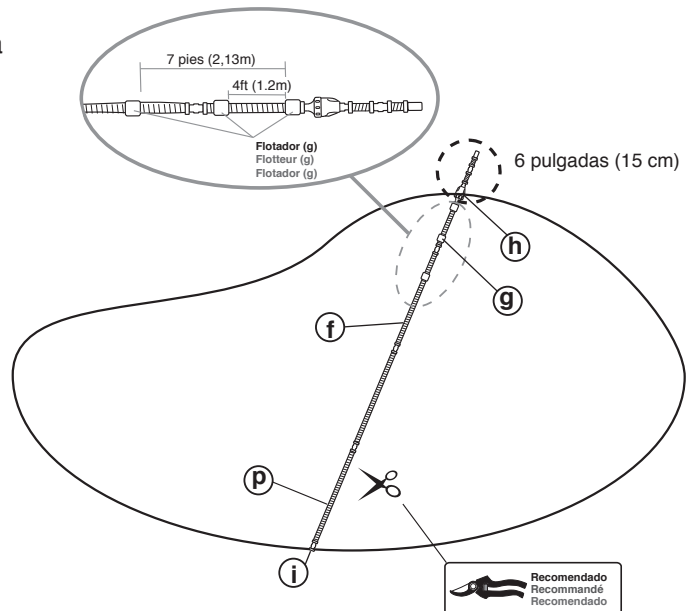
TENGA EN CUENTA: Hay dos orificios en el extremo del comprobador de presión. Es importante tapar el más grande para comprobar la presión.

¿No hay flujo de agua de la válvula de alivio de presión?

- Si su limpiafondos Polaris® está conectado a un circuito exclusivo, ajuste la válvula de desviación para aumentar el flujo de agua al limpiafondos.
- Asegúrese de que la rejilla del filtro (k) esté correctamente ubicada en el Desconector rápido.
- Inspeccione el desnatador, la cesta de la bomba y el filtro principal en búsqueda de suciedad que esté restringiendo el flujo.
- Si el limpiafondos Polaris está conectado a uno de múltiples circuitos de retorno, verifique si tiene instalado el kit de conexión del circuito de retorno Polaris adecuado (ver página 5 de este manual)

4 Ajuste la longitud de la manguera

1. Encienda la bomba. Sostenga la manguera debajo del agua hasta que la válvula de alivio de presión libere la presión.
2. Extienda la manguera al punto más alejado de la piscina. El extremo de la manguera debe estar a menos de 6 pulgadas (15 cm) antes o más allá de este punto.
3. Mida la manguera con la presión encendida y corte el exceso de manguera de la primera sección (p). (Esta es la sección conectada al Desconector rápido (i)).
4. Vuelva a conectar las secciones de la manguera.
5. Luego de ajustar la longitud de la manguera, coloque los tres flotadores de manguera tal como se muestra.



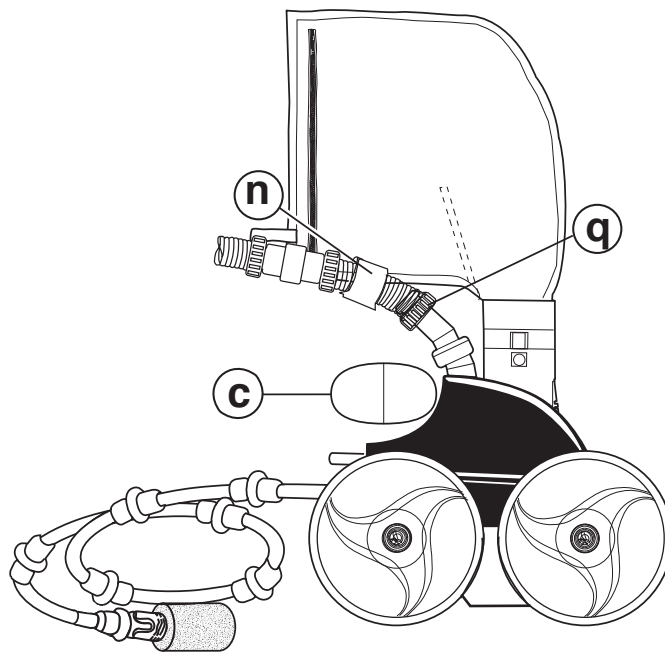
¿La manguera es demasiado corta?

- Comuníquese con su distribuidor local de Polaris. Compre una sección de manguera nueva. Añádala a la primera sección de la manguera (p) y córtela hasta que quede dentro de las 6 pulgadas (15 cm).

5

Arme el limpiafondos

1. Quite el comprobador de presión (o) desenroscando la tuerca de la manguera (q).
TENGA EN CUENTA: La tuerca de la manguera tiene roscas invertidas.
2. Use la misma tuerca de la manguera (q), y asegure la manguera al cuerpo del limpiafondos en la cañería de alimentación.
3. Levante la bolsa y sujete a la manguera utilizando el fijador de bolsa (n).
4. Empuje el flotador del cabezal (c) hasta el fondo, contra el cuerpo del limpiafondos.



Funcionamiento del limpiafondos



⚠ ADVERTENCIA

Para evitar riesgos de lesiones potencialmente graves, no nade ni use la piscina cuando el limpiafondos está sumergido o en funcionamiento.

1

Encienda el limpiafondos

1. Conecte la manguera en la piscina al UWF®.
2. Sumerja el limpiafondos en la piscina, permitiendo que se hunda hasta el fondo.
3. Encienda la bomba de filtrado y permita que se cebe. El limpiafondos comenzará a moverse.

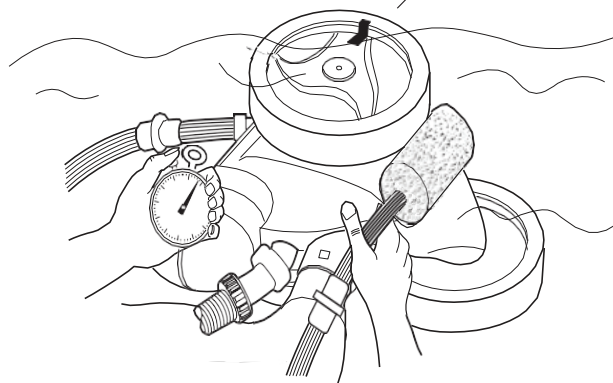
2

Verifique la RPM apropiada de las ruedas

Antes de operar el limpiafondos Polaris®, verifique las revoluciones por minuto (RPM) apropiadas de las ruedas. Para una máxima eficiencia, el Polaris debería operar entre 28 y 32 RPM.

1. Marque la rueda que tiene un solo lado utilizando un pedazo de cinta adhesiva (o una pequeña hoja metida en el neumático).
2. Encienda la bomba, mantenga el limpiafondos debajo del nivel del agua y cuente las revoluciones de la rueda durante un minuto.
3. La velocidad óptima de las ruedas debería ser **entre 28 y 32 RPM**.

Marque la rueda que tiene un solo lado (con cinta adhesiva, una pequeña hoja o marcador).



28 - 32 RPM

1 min

IMPORTANT

Mantenga el limpiafondos sumergido para un conteo preciso de la velocidad de las ruedas.

3

Ajuste la velocidad de la rueda

¿La velocidad de las ruedas es menor a 28 RPM?

- Verifique la rejilla del filtro en el Desconector rápido para ver si hay suciedad.
- Limpie el desnatador, el filtro, y la cesta de la bomba.
- Verifique las mangueras, las conexiones y el eslabón giratorio por pérdidas.
- Si el limpiafondos está conectado a un circuito de retorno exclusivo, ajuste la válvula de desviación para aumentar el flujo de agua.

¿La velocidad de las ruedas es mayor a 32 RPM?

- Si el limpiafondos está conectado a un circuito exclusivo, ajuste la válvula de desviación para reducir el flujo de agua al limpiafondos.
- Desenrosque la válvula de alivio de presión hasta alcanzar la RPM apropiada.
TENGA EN CUENTA: Para una remoción más fácil, use la herramienta de remoción UWF[®] de Polaris[®] (Contáctese con su distribuidor local de Polaris, Parte # 10-102-00).

Ponga a punto el limpiafondos

Cuando la opera correctamente, el limpiafondos Polaris® aspira, barre y friega todas las superficies aleatoriamente a través de toda la piscina. La capacidad para trepar depende de la forma de la piscina y de la presión o flujo de agua. El limpiafondos Polaris trepa mejor en piscinas sin ángulos o curvas pronunciadas en la transición del piso a la pared de la piscina. Aproximadamente cada 3-1/2 minutos el limpiafondos Polaris entra en modo marcha atrás. Esta acción aleja al limpiafondos Polaris de los obstáculos en la piscina.

Ponga a punto su limpiafondos ajustando la manguera de barrido o chorro impulsor según sea necesario, para un funcionamiento óptimo.

1

Ajuste la manguera de barrido

La manguera de barrido debe realizar un movimiento de barrido suave. Para aumentar o disminuir el movimiento de barrido:

1. Apague la bomba de filtrado.
2. Gire el tornillo de ajuste en la cañería de alimentación (r) en sentido contrario a las agujas del reloj para aumentar el movimiento de la manguera de barrido. Gire el tornillo de ajuste en el sentido de las agujas del reloj para disminuir el movimiento.



Disminuya el movimiento



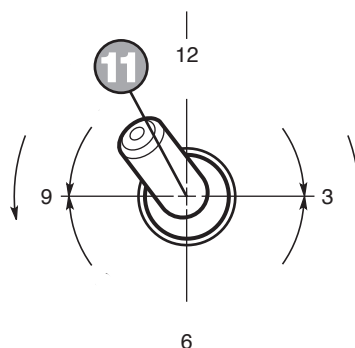
Aumente el movimiento

2

Ajuste del chorro impulsor

Si el limpiafondos está desviándose hacia la izquierda o derecha en lugar de moverse en línea recta, ajuste el chorro impulsor (en la parte trasera del cuerpo del limpiafondos) para que trepe las paredes o gire.

TENGA EN CUENTA: La configuración de fábrica es en la posición de las once en punto. Ajuste el chorro impulsor únicamente para adaptarse a piscinas de formas únicas.



Mantenimiento de rutina

Realice el mantenimiento de rutina para prolongar la vida de su limpiafondos.

1

Vacíe la bolsa

Vacíe la bolsa cuando esté llena hasta la mitad, especialmente si la carga de suciedad es mayormente arena.

TENGA EN CUENTA: Es más fácil vaciar una bolsa seca. Retire la bolsa y déjela secar antes de vaciarla. Alterne entre dos bolsas mientras se secan, de modo que no se interrumpa el ciclo de limpieza.



1. Desconecte la bolsa soltando las clavijas.
2. Retire el fijador de la manguera de alimentación.
3. Abra la tapa y tire la suciedad.

2

Retrolave el filtro de la piscina

Retrolave el filtro de su piscina periódicamente. Siempre desconecte el limpiafondos Polaris® de la pared de la piscina antes de limpiar o retrolavar el filtro de la piscina. Luego de limpiar o retrolavar, deje el sistema de filtrado funcionando durante al menos cinco minutos para purgar los circuitos de retorno antes de volver a conectar el limpiafondos.

3

Almacenamiento y Guardado durante el invierno

TENGA EN CUENTA: Nunca almacene el limpiafondos a la luz directa del sol.

Para almacenar el limpiafondos para el invierno:

1. Retire el limpiafondos de la piscina y drene todo el agua para evitar que el agua congelada lo dañe (este daño no está cubierto dentro de la garantía).
2. Retire el UWF® de la pared de la piscina usando el Desconector rápido. Use presión de jalón al desatornillarlo.
Si es necesario, use la Herramienta de remoción UWF (parte #10-102-00) disponible de su distribuidor local Polaris.

Resolución de problemas

Problema	Solución
Se cuelga en escalones u otros obstáculos por más de 3 1/2 minutos.	<ol style="list-style-type: none"> 1. Controle las RPM de las ruedas. 2. Verifique que la válvula de retroceso esté girando. 3. Ajuste el chorro impulsor. 4. Retire los equipos innecesarios de la piscina o instale un Kit de protección de escalera (Parte # G21) de un distribuidor Polaris®. 5. Verifique la bolsa y vacíe si hace falta.
El limpiafondos está lento, funcionando con menos potencia de la normal.	<ol style="list-style-type: none"> 1. Verifique la rejilla del filtro en el Desconector rápido y límpiela, si es necesario. 2. Limpie la cesta del desnatador, la cesta de la bomba y el filtro de la piscina. 3. Verifique las mangueras, conexiones y eslabones giratorios en busca de pérdidas que podrían causar pérdida de presión de agua. 4. Controle las RPM de las ruedas (entre 28-32).
El limpiafondos vuela alrededor de la piscina y/o no hace contacto con el fondo.	<ol style="list-style-type: none"> 1. Controle las RPM de las ruedas. <ul style="list-style-type: none"> - Si el limpiafondos está conectado a un circuito de retorno exclusivo con una válvula de desviación, ajuste la válvula para disminuir el flujo de agua al limpiafondos. - Si hay más de 32 RPM, desatornille la válvula de alivio de presión para disminuir el flujo de agua al limpiafondos. 2. Verifique que la válvula de retroceso esté girando. Mantenga la válvula fuera del agua y observe el chorro. Debería ir y venir cada 3 1/2 minutos.
El limpiafondos no retrocede.	<ol style="list-style-type: none"> 1. Verifique que la válvula de retroceso esté girando cada 3 1/2 minutos. 2. Controle las RPM de las ruedas (entre 28-32). 3. Si la bolsa está llena, vacíela. 4. Si el flotador del cabezal tiene agua dentro, reemplácelo. 5. Asegúrese de que la manguera de alimentación esté flotando.
El limpiafondos solo gira en una dirección.	<ol style="list-style-type: none"> 1. Ajuste el chorro impulsor. 2. Verifique que el montaje de la manguera de alimentación esté flotando de forma apropiada. Los flotadores anegados de la manguera pueden producir que la manguera de alimentación se hunda. Las mangueras viejas pueden perder flotabilidad, reemplácela si fuera necesario. 3. Si el extremo de la manguera conectada al limpiafondos tiene una curva, alinéela con la curva en la cañería de alimentación. 4. Asegúrese de que el eslabón giratorio en la cañería de alimentación gire libremente.

Problema	Solución
<p>La manguera de alimentación se enreda.</p>	<ol style="list-style-type: none"> 1. Vuelva a medir la manguera para verificar que está ajustada a la longitud apropiada para la forma de la piscina. 2. Con el limpiafondos Polaris en funcionamiento, verifique que los eslabones giratorios y las conexiones de la manguera giren libremente. 3. Asegúrese de que la manguera de alimentación esté flotando. 4. Con el limpiafondos Polaris® apagado, gire cada una de las ruedas. Todas las ruedas deben girar juntas.
<p>La manguera de barrido fue succionada por el tubo de aspiración.</p>	<ol style="list-style-type: none"> 1. Asegúrese de que el orificio al final de la manguera de barrido no esté bloqueado por el depurador de la manguera. 2. Ajuste la manguera de barrido para que realice un movimiento de barrido suave.
<p>La manguera de barrido rocía demasiada agua fuera de la piscina.</p>	<ol style="list-style-type: none"> 1. Verifique que el Tail Sweep Pro® esté instalado correctamente. 2. Ajuste la velocidad de la manguera de barrido apretando el tornillo.
<p>El limpiafondos no limpia toda la piscina.</p>	<ol style="list-style-type: none"> 1. Controle que la longitud de la manguera llegue a 6" del punto más lejano de la piscina. Si no es así, ordene una nueva sección de manguera de su distribuidor Polaris. 2. Verifique que el chorro impulsor esté en la posición de 11 en punto que optimiza los giros aleatorios. 3. Con la bomba en funcionamiento, ponga el limpiafondos al revés. Verifique que los tres chorros impulsores tengan un flujo constante sin obstrucciones. Si no es así, contáctese con Atención al cliente o con un Centro de Servicio autorizado de Polaris para solicitar asistencia.
<p>El limpiafondos funciona en círculos sobre su lado.</p>	<ol style="list-style-type: none"> 1. Verifique la bolsa del filtro, si está llena puede inclinar el limpiafondos hacia un lado. 2. Retire el flotador del cabezal y sacúdalo. Si hay agua en el flotador, ordene uno nuevo. 3. El flotador de la manguera de alimentación debería flotar uniformemente sobre la superficie de la piscina.

Problema	Solución
<p>El limpiafondos no trepa las paredes.</p>	<ol style="list-style-type: none"> 1. Verifique que la velocidad de las ruedas sea 28-32 RPM. 2. Verifique que el chorro impulsor esté en la posición de las 11 en punto. 3. Verifique que el flotador del cabezal esté ubicado totalmente hacia adelante. 4. Verifique que las mangueras hayan sido cortadas de forma correcta, siguiendo las instrucciones. 5. Con la bomba en funcionamiento, ponga el limpiafondos al revés. Verifique que los tres chorros impulsores tengan un flujo constante sin obstrucciones. Si no es así, contáctese con Atención al cliente o con un Centro de Servicio autorizado de Polaris® para solicitar asistencia.
<p>Los neumáticos del limpiafondos se resbalan sobre la superficie de fibra de vidrio o azulejo de la piscina.</p>	<ol style="list-style-type: none"> 1. Verifique que su limpiafondos tenga neumáticos PosiTrax® de Polaris instalados en las tres ruedas. Los neumáticos PosiTrax de Polaris son exclusivamente para ser usados sobre superficies de fibra de vidrio o azulejo. 2. Verifique que la velocidad de las ruedas sea 28-32 RPM.
<p>Las ruedas rotan menos de 28 veces por minuto.</p>	<ol style="list-style-type: none"> 1. Verifique que la rejilla del filtro, las cestas de la bomba y el filtro principal estén limpios. 2. Verifique que no haya pérdidas en las mangueras, conectores y eslabones giratorios del limpiafondos. 3. Si el limpiafondos está instalado en un circuito exclusivo, ajuste la válvula de desviación para aumentar el flujo de agua al limpiafondos.
<p>Las ruedas rotan más de 32 veces por minuto.</p>	<ol style="list-style-type: none"> 1. Si el limpiafondos está conectado a un circuito exclusivo, ajuste la válvula de desviación para reducir el flujo de agua al limpiafondos. 2. Desatornille la válvula de alivio de presión en el ensamble del conector UWF® hasta que las RPM estén entre 28 y 32.

¿Tiene alguna pregunta?

Para partes de reemplazo o preguntas adicionales sobre resolución de problemas, llame o ingrese a:



1.800.822.7933



www.polarispool.com

Zodiac Pool Systems, Inc.
2620 Commerce Way, Vista, CA 92081
1.800.822.7933 | www.polarispool.com

*Polaris® and the 3-wheeled cleaner design are registered trademarks of Zodiac Pool Systems, Inc.
All other trademarks referenced herein are the property of their respective owners.*

*Polaris® et la conception de nettoyeur à 3 roues sont des marques déposées de Zodiac Pool Systems, Inc.
Toutes les autres marques de commerce citées dans le présent document appartiennent à leurs propriétaires respectifs.*

*Polaris® y el diseño de limpiafondos de tres ruedas son marcas registradas de Zodiac Pool Systems, Inc.
Las demás marcas mencionadas en esta guía son propiedad de sus respectivos propietarios.*

©2016 Zodiac Pool Systems, Inc. H0570700_REVC

