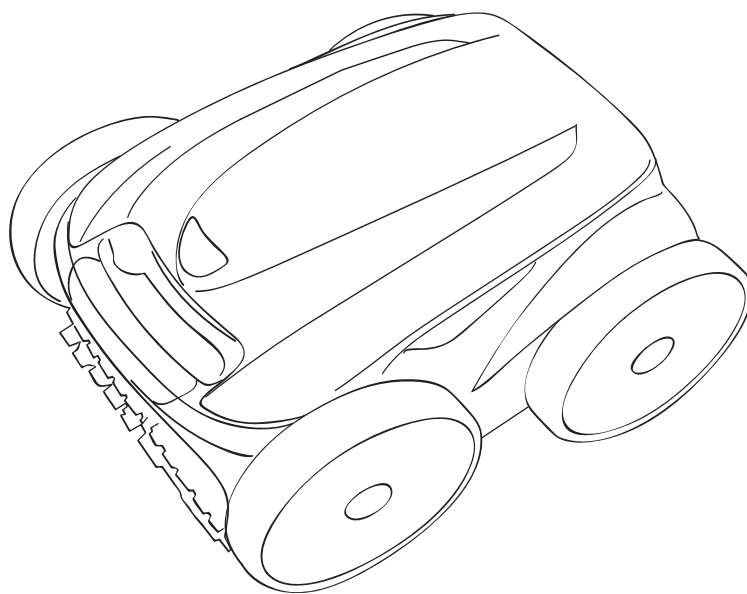




P93

P94



OWNER'S MANUAL

ENGLISH | FRANÇAIS |

⚠ WARNING

FOR YOUR SAFETY - For anything other than the routine cleaning and maintenance described in this manual, this product must be serviced by a contractor who is licensed and qualified in pool equipment by the jurisdiction in which the product will be installed where such state or local requirements exist. In the event no such state or local requirement exists, the maintainer must be a professional with sufficient experience in pool equipment installation and maintenance so that all of the instructions in this manual can be followed exactly. Improper installation and/or operation will void the warranty.

⚠ AVERTISSEMENT

POUR VOTRE SÉCURITÉ – Pour toute opération autre que l'entretien de routine et la maintenance décrite dans ce manuel, ce produit doit être pris en charge par une entreprise qui est autorisée et qualifiée pour la réparation des équipements de piscine par la juridiction où le dit produit est installé lorsque de telles exigences locales ou provinciales sont édictées. Si aucune exigence locale ou provinciale n'est disponible, l'agent d'entretien doit être un professionnel avec suffisamment d'expérience dans l'installation et la maintenance d'équipement de piscine pour appliquer correctement les consignes du présent manuel. L'installation ou l'utilisation inappropriée annulera la garantie.

Table of Contents

English

- Section 1. Important Safety Instructions..... 3**
- Section 2. Cleaner Specifications 5**
 - 2.1 General Specifications 5
- Section 3. Assembly and Initial Usage 5**
 - 3.1 Unpacking 5
 - 3.2 Assembling the Transport Caddy 5
 - 3.3 Connecting the Control Unit to the Caddy..... 7
- Section 4. Operation..... 8**
 - 4.1 Submerging the Cleaner 8
 - 4.2 Operating the Cleaner 9
- Section 5. Cleaning and Maintenance 10**
- Section 6. Replacement Parts 13**
- Section 7. Troubleshooting 14**

THANK YOU FOR PURCHASING THE POLARIS® P93 P94 CLEANER.

YOUR POLARIS ROBOTIC CLEANER HAS BEEN DESIGNED AND MANUFACTURED TO BE EASILY INSTALLED AND TO PROVIDE LOW MAINTENANCE OPERATION. PRIOR TO INSTALLING YOUR NEW POLARIS CLEANER, PLEASE DO THE FOLLOWING:

- 1) Complete and return the warranty card.
- 2) Record your purchase information on the spaces provided below.
- 3) Attach your invoice (or a copy) to this page.

Taking these steps will help ensure prompt warranty service, should it be required. If service is required, please contact your original dealer. If the original dealer does not perform warranty service, please visit www.polarispool.com to locate an independent service company near you. If you are unable to locate a service company, please call our Technical Support department at 800-822-7933.

RECORD YOUR POLARIS CLEANER DATA HERE:

Date of Purchase _____ Purchased From _____ Serial Number: _____
(located on machine head)

City _____ State _____ Zip Code _____

Section 1. Important Safety Instructions

Congratulations on purchasing the Polaris P93 P94 Robotic Cleaner. Please take a moment to read through the entire manual before installing your new robotic pool cleaner. Your cleaner must be installed and operated as specified.

READ AND FOLLOW ALL INSTRUCTIONS

WARNING

Failure to comply with the following warnings can result in permanent injury, electrocution or drowning.

PREVENT ELECTRICAL SHOCK

To reduce risk of electrical shock:

- Connect unit to receptacle protected by a ground fault circuit interrupter (GFCI). Such a GFCI receptacle should be provided by a qualified installer and should be tested on a routine basis. To test the GFCI, push the test button. The GFCI should interrupt power. Push the reset button. Power should be restored. If the GFCI fails to operate in this manner, the GFCI is defective. If the GFCI interrupts power to the pump without the test button being pushed, a ground current is flowing, indicating the possibility of an electric shock. Do not use this product. Disconnect the cleaner and have the problem corrected by a qualified service representative before using.
- Per the United States National Electric Code (NEC®), keep the control unit at least five (5) feet from the edge of the (pool/spa) water. In Canada, the Canadian Electrical Code (CEC®) requires a minimum distance of 3m (10 ft.) to be maintained between the pool edge and the control unit. Never submerge the control unit.
- Do not enter pool while the Polaris P93 P94 is in water.
- Do not bury cord. Locate cord so as to prevent it from being damaged by lawn mowers, hedge trimmers and other equipment.
- To reduce the risk of electrical shock, do not use the Polaris P93 P94 robotic cleaner or control unit if the cord is worn or damaged. Contact Zodiac Pool Systems, Inc. Technical Support immediately for a replacement cord.
- Double insulation—For continued protection against possible electric shock, use only identical replacement parts when servicing. Do not attempt repair of the Polaris P93 P94 robotic cleaner, control unit, power cord, or floating cable.
- NEVER OPEN CONTROL UNIT.
- Do not use an extension cord to connect the unit to electric supply; provide a properly located outlet. The control unit should be placed near the outlet box.

PREVENT CHILD INJURY AND DROWNING

- To reduce the risk of injury, do not permit children to operate this product.
- Do not let anyone, especially small children, sit, step, lean, or climb on any equipment installed as part of your pool's operational system.

⚠ CAUTION

Failure to comply with the following warnings could cause damage to pool equipment or personal injury.

- The Polaris P93 P94 must be installed and operated as specified.
- This product is intended for use with permanently-installed pools. Do not use with storable pools. A permanently-installed pool is constructed in or on the ground or in a building such that it cannot be readily disassembled for storage. A storable pool is constructed so that it is capable of being readily disassembled for storage and reassembled to its original integrity.
- Turn the Polaris P93 P94 off before removing it from water, and do not operate out of water.
- Do not remove the cleaner from the pool for 15 minutes after the cleaning cycle has completed.
- Clean the filter canister in the Polaris P93 P94 after each use.
- Do not use the product in your pool if the water temperature is above 95° F (35° C) or below 55° F (13° C).

⚠ CAUTION

USE OF THE POLARIS P93 P94 ROBOTIC CLEANER IN A VINYL LINER POOL

Certain vinyl liner patterns are particularly susceptible to rapid surface wear of pattern removal caused by objects coming into contact with the vinyl surface, including pool brushes, pool toys, floats, fountains, chlorine dispensers, and automatic pool cleaners. Some vinyl liner patterns can be seriously scratched or abraded simply by rubbing the surface with a pool brush. Ink from the pattern can also rub off during the installation process or when it comes into contact with objects in the pool. Zodiac Pool Systems, Inc., is not responsible for, and the Limited Warranty does not cover, pattern removal, abrasion or markings on vinyl liners.

SAVE THESE INSTRUCTIONS

Section 2. Cleaner Specifications

2.1 General Specifications

The general specifications for the cleaner are as follows:

Control box supply voltage	100-125 VAC, 60 Hz
Supply voltage	30 V DC
Installed load	150 W max
Cable length	60 ft (18 m)
Cleaner size (WxDxH)	16.9 x 18.9 x 10.6 in. 43 x 48 x 27 cm
Pack size (WxDxH)	22.8 x 22.8 x 23.2 in. 58 x 58 x 59 cm
Weight of Cleaner	21 lbs. (9.5 kg)
Packed weight	42 lbs. (19 kg)
Filtration	less than 100 microns
Cycle lengths	1.30 hrs, 2.30 hrs.

The cleaner is a double-insulated product. A double-insulated electrical appliance is one which has been designed in such a way that it does not require a safety connection to ground. The basic requirement for double-insulation is that no single failure can result in dangerous voltage becoming exposed so that it might cause an electric shock and that this is achieved without relying on an earthed (grounded) metal casing. This is achieved by having two (2) layers of insulating material surrounding live parts or by using reinforced insulation. Therefore, devices having double-insulated construction, such as this cleaner, do not utilize a grounded (three-prong) cord/plug.

Section 3. Assembly and Initial Usage

3.1 Unpacking

The packaging should contain the following items (Refer to Figure 1):

- Polaris cleaner
- Control unit
- Transport and storage caddy (complete with assembly components)

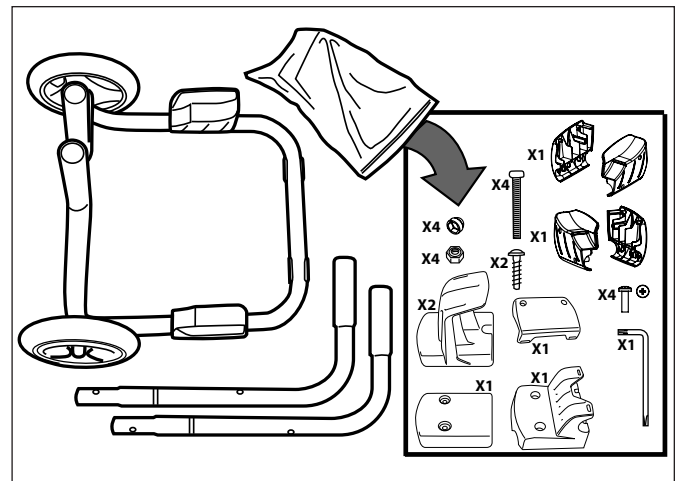


Figure 1. Components

Check that the unit has not been damaged during transport. If you detect damage, contact Zodiac Pool Systems, Inc. at 1-800-822-7933 before using your cleaner.

To unpack the cleaner and its components:

1. Remove the lower portion of the caddy along with the upper and lower power cable hooks, control unit hook, power cable hook plate, locking plate, nuts, bolts and screws.
2. Remove the small box that contains the control unit.
3. Remove the handles (left and right) of the caddy, which are located against one side of the box.
4. Remove the cleaner from the box.

3.2 Assembling the Transport Caddy

1. Insert the upper tubes (handles) into the bottom tubes on the cart as shown in Figure 2. Make sure the upper tubes (handles) are in the proper orientation and align the screw holes.

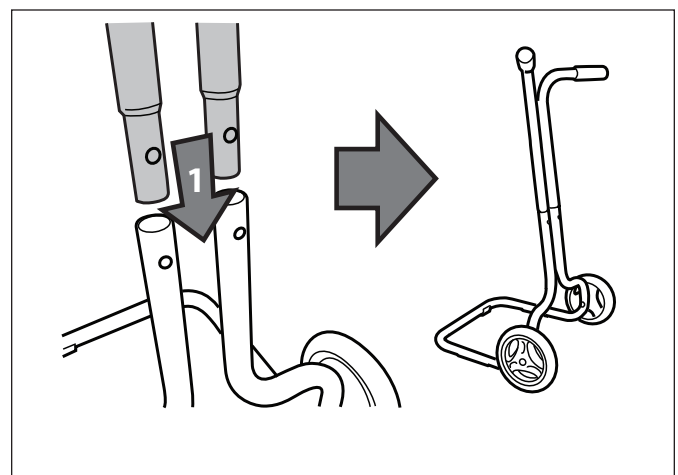


Figure 2. Install the Handles

- Position the bottom power cable hook as shown in Figure 3. Place the cable hook plate opposite the power cable hook. Secure using a screw and tightening with the Torx® wrench. Refer to Figure 4.

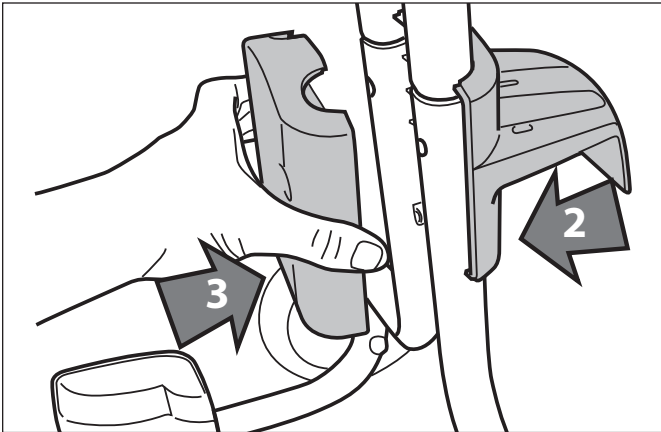


Figure 3. Position the Bottom Power Cable Hook

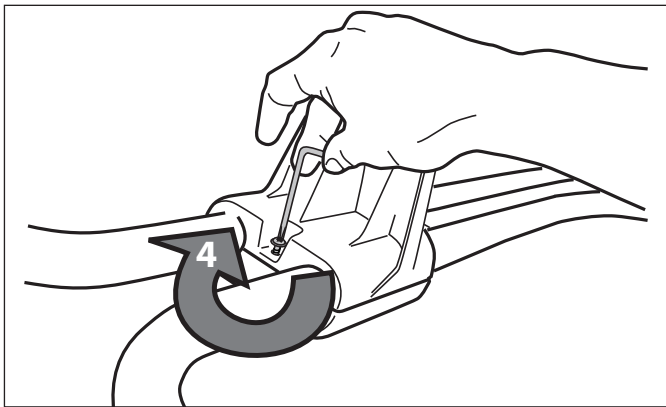


Figure 4. Secure the Bottom Power Cable Hook

- Secure the cable hook plate using two (2) bolts and two (2) nuts and tighten with Torx wrench. Refer to Figure 5.

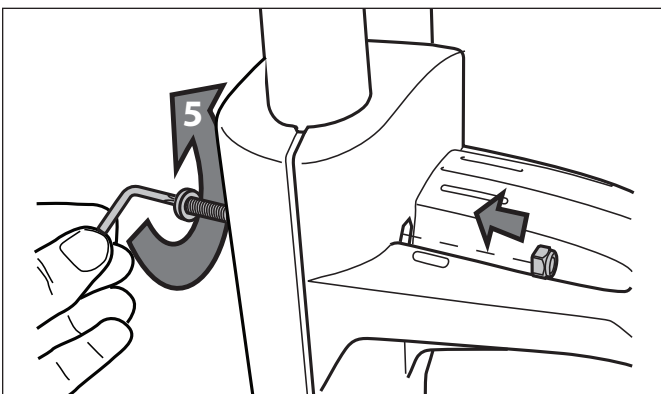


Figure 5. Secure the Cable Hook Plate

- Position the power cable hook and control unit hook on the upper tubes as shown in Figure 6. Make sure the upper tubes (handles) are in the proper orientation.

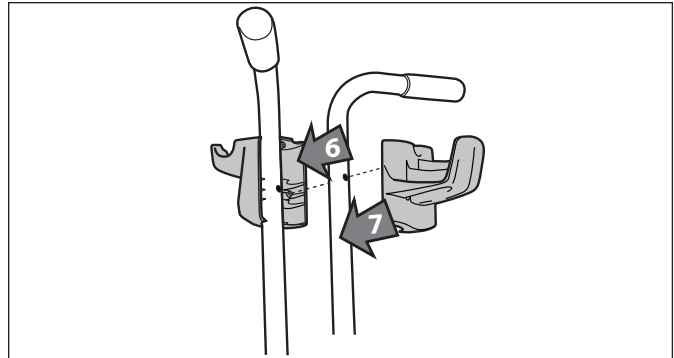


Figure 6. Position the Bottom Power Cable Hook

- Secure the power cable hook and control unit hook around the tubes using a screw and hand tighten with the Torx wrench (supplied with unit). Refer to Figure 7.

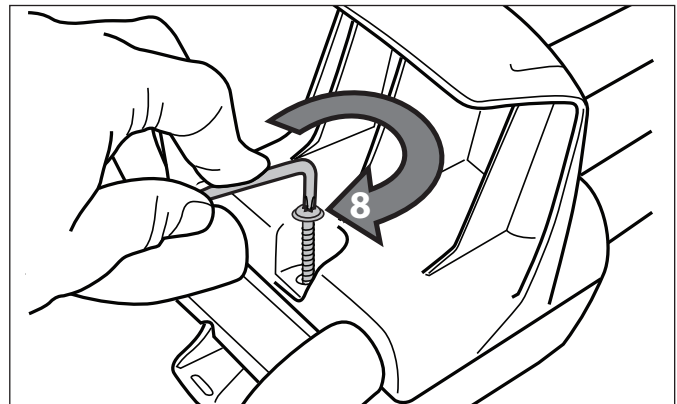


Figure 7. Install the Power Cable Hook and Control Unit Hook

- Secure the control unit hook using two (2) bolts and two (2) nuts and tighten with Torx wrench. Refer to Figure 8.

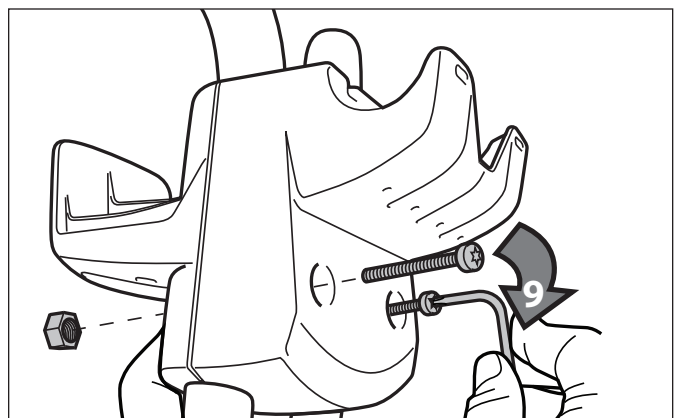


Figure 8. Secure the Hooks

- Place two (2) caps on the wheels as shown in Figure 9.

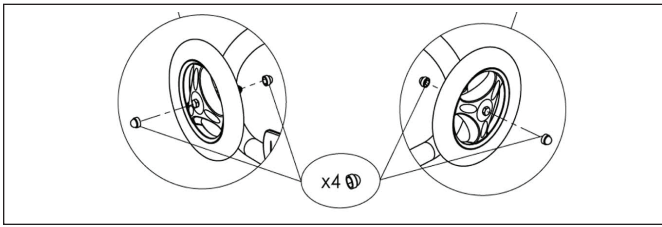


Figure 9. Attaching Wheel Caps

- Attach the support blocks to the caddy using four (4) screws as shown in Figures 10 and 11. For the Polaris P93, see Figure 10 for orientation and positioning of the blocks, and for the Polaris P94, see Figure 11

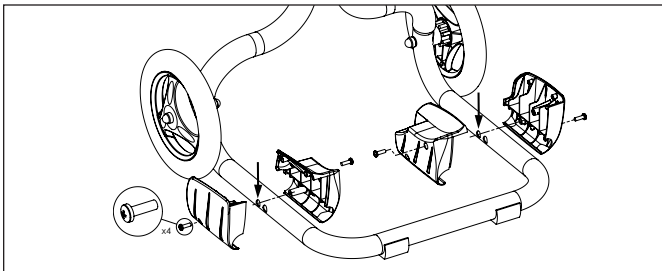


Figure 10. Attaching the Support Blocks (Polaris P93)

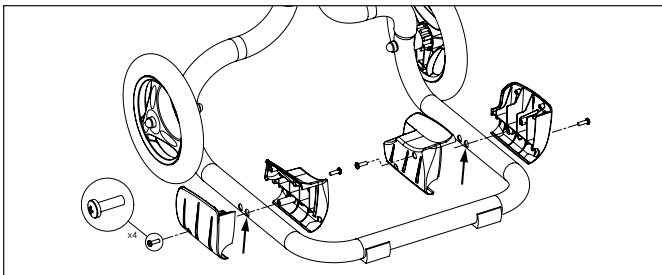


Figure 11. Attaching the Support Blocks (Polaris P94)

- The transport caddy is now ready to use as shown in Figure 12.

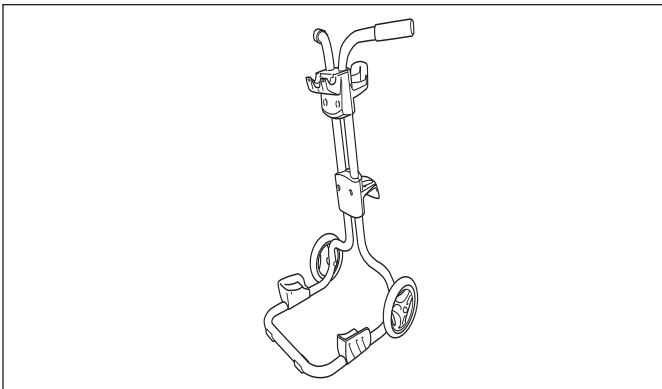


Figure 12. Transport and Storage Caddy Assembled

3.3 Connecting the Control Unit to the Caddy

- Position the control unit over the control unit hook on the caddy.
- Slide the locking plate clips into the control hook and line up the screw holes. Refer to Figure 13.

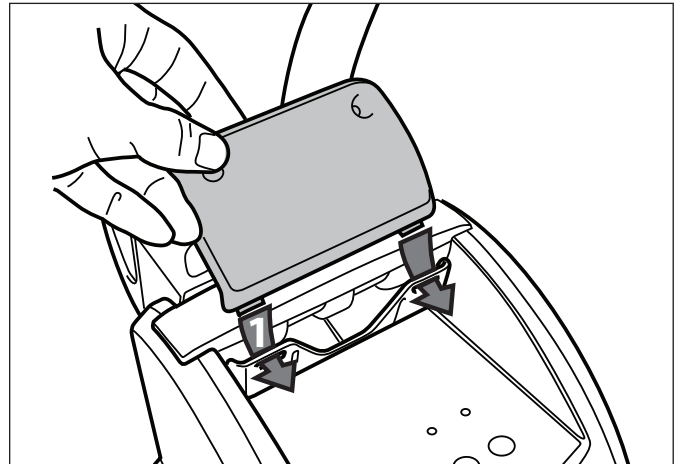


Figure 13. Position the Locking Plate Clips

- Secure the locking plate using Phillips head screws. Do not overtighten. Refer to Figure 14.

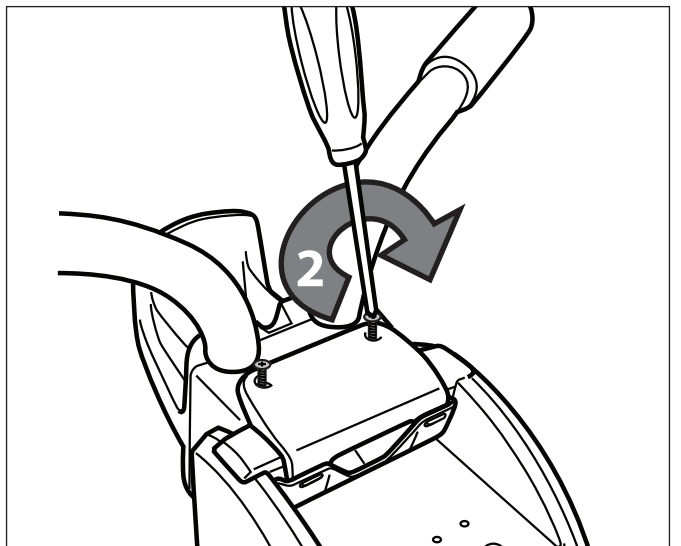


Figure 14. Secure the Locking Plate

3.4 Electrical Connection

⚠ WARNING

Failure to comply with the following warnings can result in permanent injury, electrocution or drowning.

PREVENT ELECTRICAL SHOCK

- **U.S.:** Per NEC® requirements, keep the control unit at least five (5) ft. (1.5 m) from the edge of the pool. **CANADA:** Per CEC® requirements, keep the control unit at least three (3) m (10 ft.) from the edge of the pool.
- Only connect the control unit to a receptacle protected by a ground fault circuit interrupter (GFCI). Contact a certified electrician if you cannot verify that the receptacle is protected by a GFCI.
- Do not use an extension cord to connect the control unit.
- Do not allow anyone to swim while the cleaner is in the pool.

For your safety and to obtain the best possible performance from your cleaner, connect the cleaner's floating cable to the control unit and thread connector until it is snug. Do not overtighten. Refer to Figure 15.

The control unit is equipped with an automatic shut off feature to prevent overheating if operated in direct sunlight for an extended period of time.

⚠ WARNING

The control unit is water-resistant, not waterproof. In order to prevent electrocution, which could result in serious injury or death, never submerge the control unit or leave exposed to inclement weather.

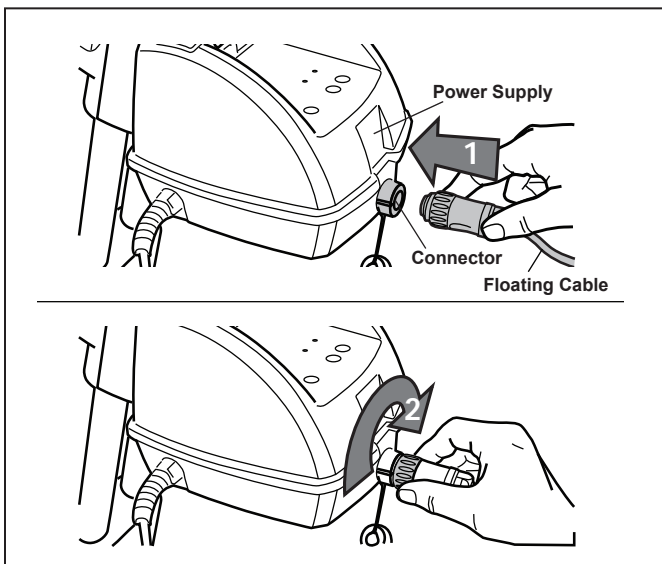


Figure 15. Electrical Connection

Section 4. Operation

4.1 Submerging the Cleaner

1. Submerge the cleaner in the pool and remove any air trapped inside by keeping the unit vertical. Refer to Figure 16.

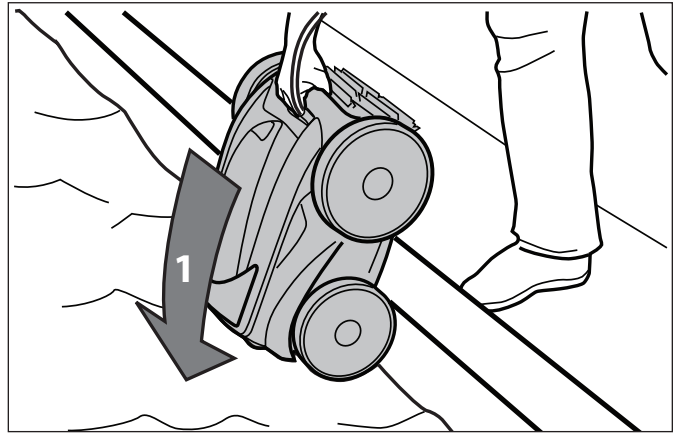


Figure 16. Submerge the Cleaner Vertically

2. Ensure the unit sinks to the bottom of the pool. Refer to Figure 17.

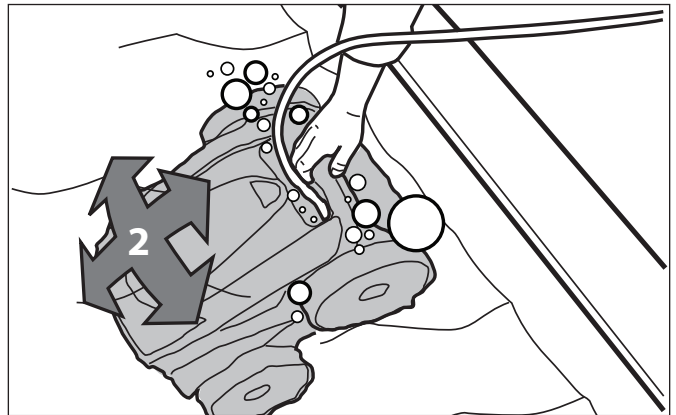


Figure 17. Cleaner Sinking to the Bottom of the Pool

3. Spread out the floating cable over the pool, ensuring there are no kinks or coils in the cable. Refer to Figure 18.

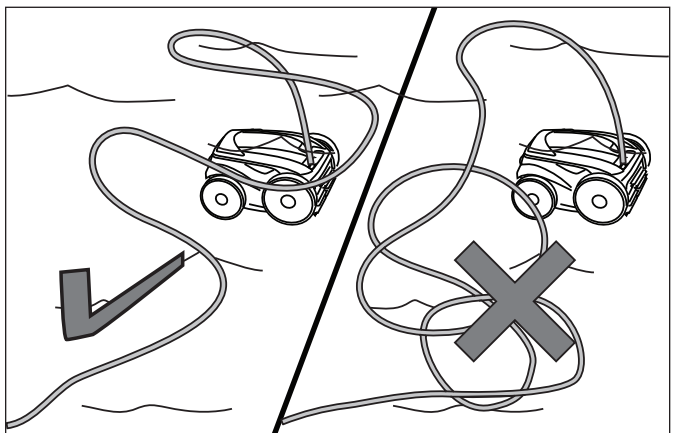


Figure 18. Spread Floating Cable Over the Pool

4.2 Operating the Cleaner

⚠ CAUTION

To prevent damage to the cleaner, be sure to adhere to the following guidelines:

- Do NOT remove the cleaner from the pool for 15 minutes after the cleaning cycle ends.
- Approximately 15 minutes after the cycle is completed, the light located on the control unit will flash slowly to indicate that the cleaner may be removed from the pool. The 15 minute period allows the motor to cool and will prevent damage to the cleaner.
- Remove the cleaner from the pool after the cleaning cycle is completed and store on the caddy out of direct sunlight or inclement weather.
- Never lift the cleaner out of the pool by the floating cable. Always use the handle to remove it from the pool (refer to Figures 21 and 22).
- Take additional care when lifting the cleaner out of the pool. It becomes heavier when filled with water.
- Remove the cleaner from pool when super chlorinating or adding acid.
- Do not handle cleaner while it is in operation.

NOTE Always make sure the cleaner head is fully submerged in the water before you begin the operation cycle.

When the cleaner is powered ON it will remain in standby until one of the cycle program selection buttons is pressed. Select either the Cycle I or Cycle II cleaning program on the control unit:

Cycle I Program	Cycle II Program
Completed in 1.5hours	Completed in 2.5 hours
Maximum coverage in minimal time	Intensive and complete cleaning
Thorough pool floor cleaning	Thorough pool floor and wall cleaning

1. To start your cleaner, press the desired cycle button (Figure 19). "Cycle I" is the most commonly selected cleaning program for inground pools.

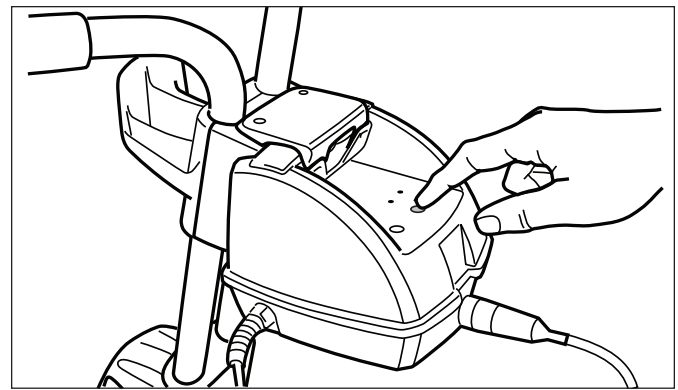


Figure 19. Start the Cleaner

2. When the cycle program button is selected the indicator light will illuminate. The cleaner will start in a few seconds.
3. To change the selected cleaning cycle, press the new cycle button and the new cycle will start in a few seconds.
4. If you wish to stop the cleaner during a cleaning cycle, press the OFF button. Refer to Figure 20.
5. At the end of the cycle, the cleaner will stop and after 15 minutes the light will flash slowly to indicate the cycle is completed.

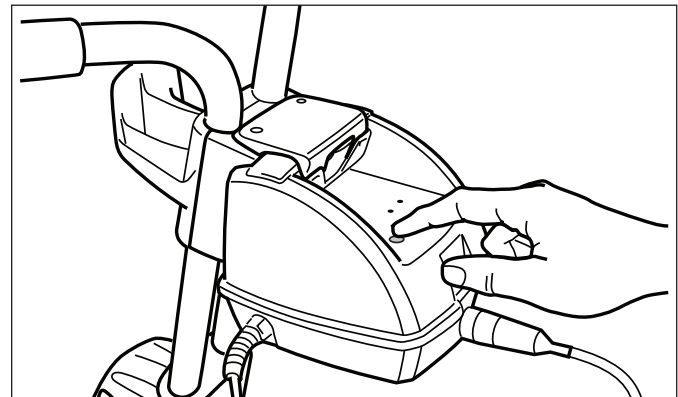


Figure 20. Turn Cleaner Off

6. The cleaner includes a safety feature that automatically stops the cleaner after about 20 seconds if it is powered on but not submerged in water. For pools equipped with a beach area, this safety feature allows the cleaner to reverse, and back into the pool when the impeller is out of the water.
7. Disconnect the control unit cable from the electrical outlet.
8. Disconnect the cable from the control unit.

NOTE The cleaner cable must always be disconnected before removing the cleaner from the pool.

9. Remove the cleaner from the pool using the handle (refer to Figures 21 and 22). Never lift the cleaner out of the pool by the floating cable.
10. Loosely coil the cable starting at the cleaner and go toward the connection point at control unit. Remove any twists along the way. Store the cable by wrapping it around the hooks located at the rear of the caddy.

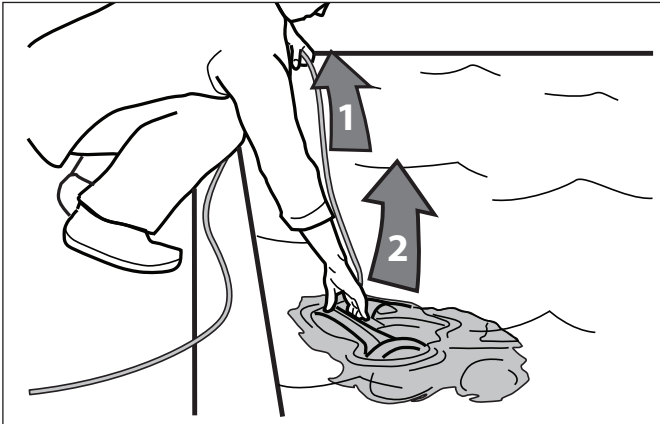


Figure 21. Remove Cleaner From Pool

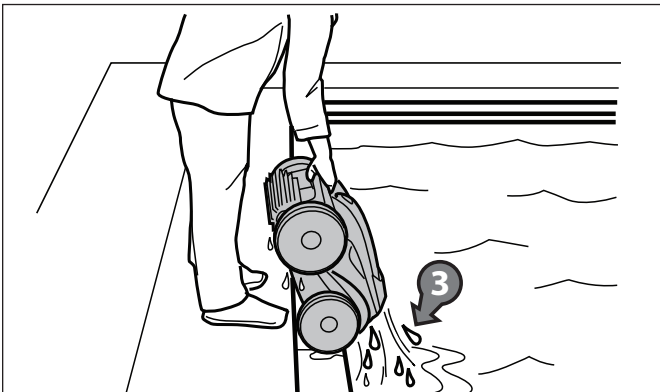


Figure 22. Keep Cleaner Vertical to Drain Water

IMPORTANT

- Use your cleaner as often as needed to keep your pool clean.
- Clean the filter canister after each cleaning cycle.
- Do not leave your cleaner in the pool on a permanent basis.
- At the end of each cycle, remove the cleaner from the pool. Start at the cleaner head and untangle any coils in the cable before storing the cleaner.

Section 5. Cleaning and Maintenance

⚠ WARNING

To avoid electric shock and other hazards which could result in permanent injury or death, disconnect (unplug) the cleaner from the power source before performing any cleaning and maintenance.

5.1 Cleaning the Filter Canister

The filter canister should be cleaned at the end of each cycle.

1. Ensure that the control unit cable has been disconnected from the electrical outlet or that the floating cable has been disconnected from the control unit.
2. Remove the cleaner from the water and let the remaining water drain by maintaining the cleaner in the vertical position.
3. Set the unit on its wheels.
4. To remove the filter from the cleaner, follow the steps 5 through 8 (Figures 23 through 26).
5. Push the cover lock (1) and lift the cover (2) until it is secured in the vertical position. Refer to Figure 23.

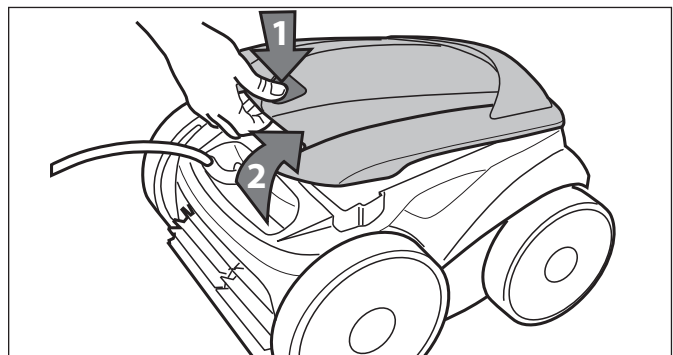


Figure 23. Lift Cleaner Cover

- Remove the filter assembly from the body (3), as shown in Figure 24.

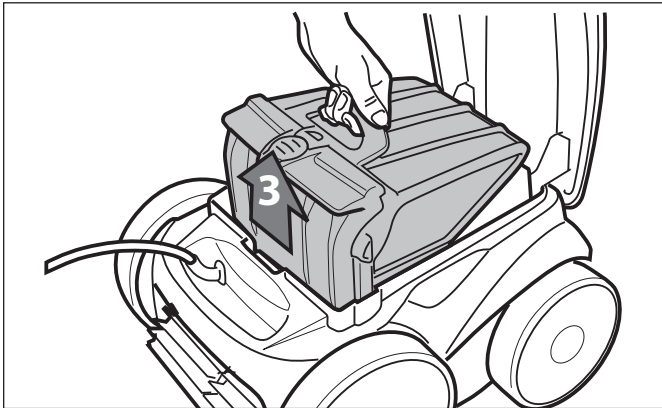


Figure 24. Remove Filter Assembly

- Push the quick release button on the canister assembly (4) and pull open the filter assembly (5). Refer to Figure 25.

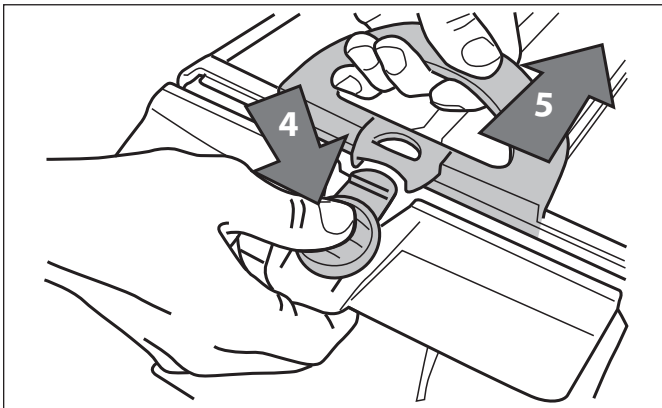


Figure 25. Open Filter Assembly

- Separate the filter canister from the filter support (6), as shown in Figure 26.

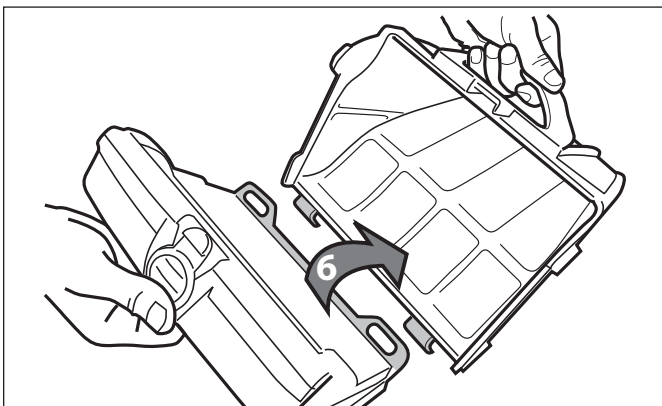


Figure 26. Remove Filter Canister

- Empty all debris from the filter canister, then rinse the canister, the filter support, and the cleaner under water or using a hose. Refer to Figure 27.

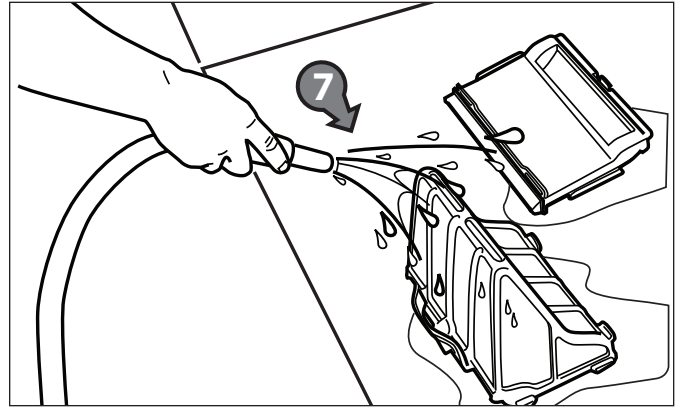


Figure 27. Wash Filter Canister

5.2 Cleaning and Storing the Cleaner

The cleaner must be cleaned regularly using slightly soapy clean water, do not use solvents such as trichloroethylene or its equivalent. Rinse the cleaner generously using clean water. Do not let your cleaner dry in direct sunlight near the pool. The cleaner must be stored on its own caddy, so that it dries quickly.

- Place the rear wheels on the caddy side wedges as shown in Figure 28.



Figure 28. Position Cleaner on Caddy

- Roll the unit into place onto the caddy. Refer to Figure 29.

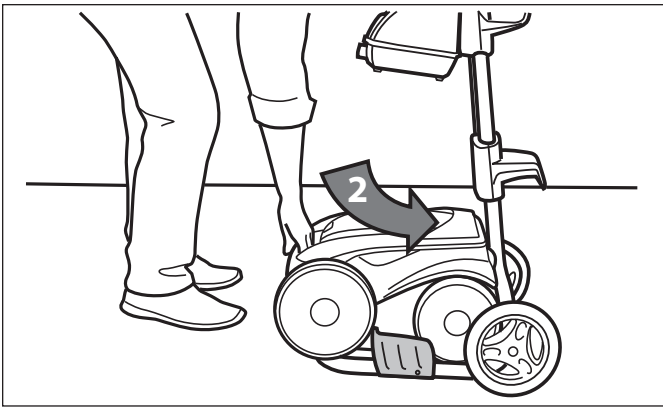


Figure 29. Roll Cleaner onto Place on the Caddy

5.3 Replacing the Brushes

The cleaner is fitted with PVC brushes. There are "wear" indicators on the brushes. To maintain cleaner performance at its best you need to replace the brushes as soon as one of the wear indicators has been reached (even if the blade wear is not even). It is recommended that you replace the brushes every two (2) years.

1. Lift the cleaner to a vertical position so that the handle is up. Refer to Figure 30.

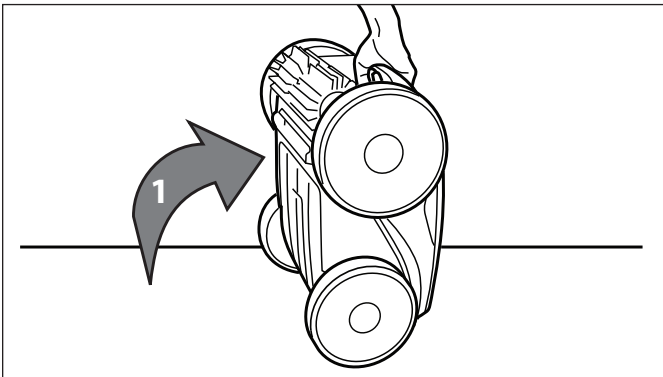


Figure 30. Cleaner in Upright Position

2. Separate the edges of the brush and undo the tabs as shown in Figure 31. Remove the worn brushes.

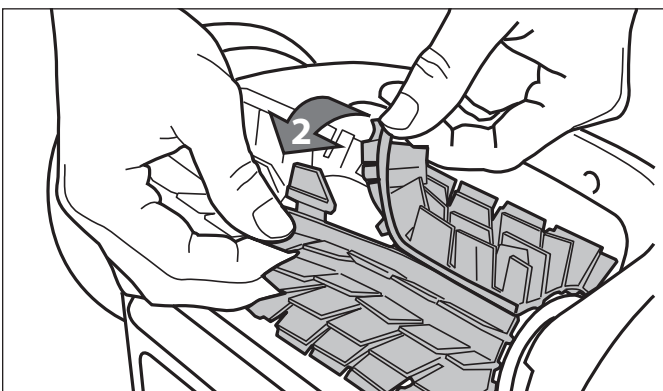


Figure 31. Undo the Tabs of the Brush

3. To install a new brush, position the new brush on the roller with the spikes facing downwards. Refer to Figure 32.

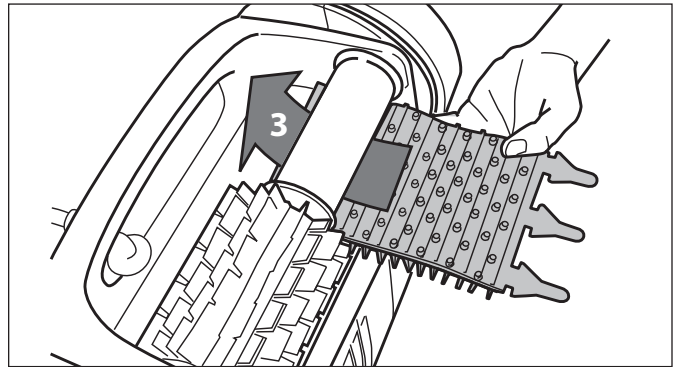


Figure 32. Install the New Brush

4. Thread each tab into the slot provided and gently feed it through until the heel comes out at the other side of the slot. Refer to Figure 33.

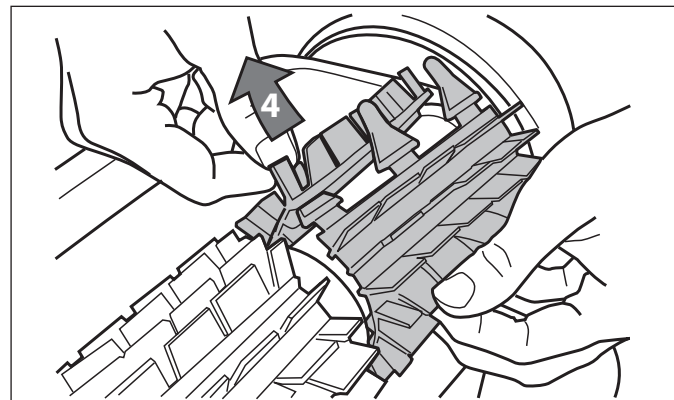


Figure 33. Pull Tabs Through Each Slot

5. Use a pair of scissors to cut the tabs 3/4 inch from the heel so that they are no higher than the spikes as shown in Figure 34.

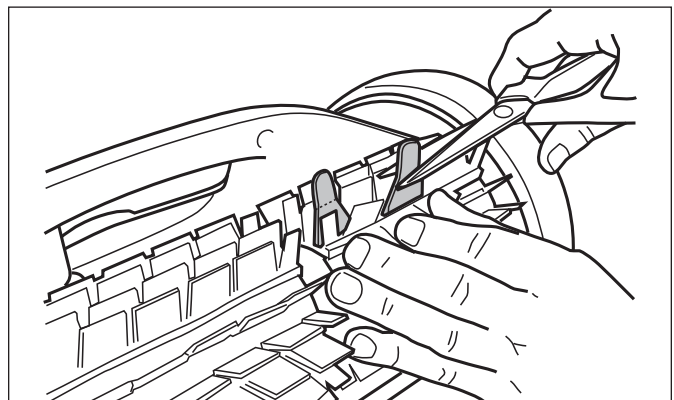


Figure 34. Cut Tabs

6. Repeat this procedure to install the second brush.

5.4 Replacing the Tires on the Cleaner

1. Pull on the inside of the old tire to remove the tire lip from the wheel. See Figure 35.

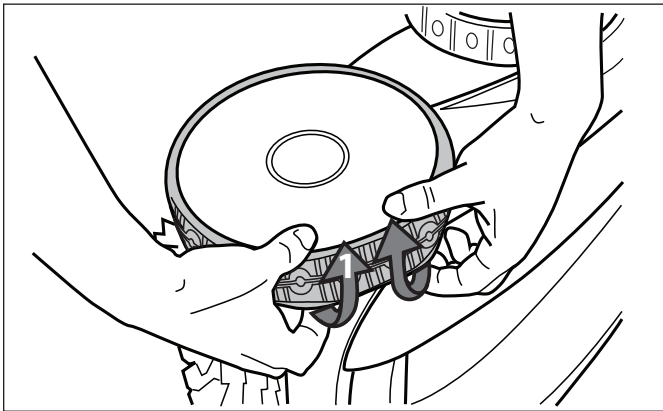


Figure 35. Pull the Old Tire Over the Wheel

2. Remove the old tire as shown in Figure 36.

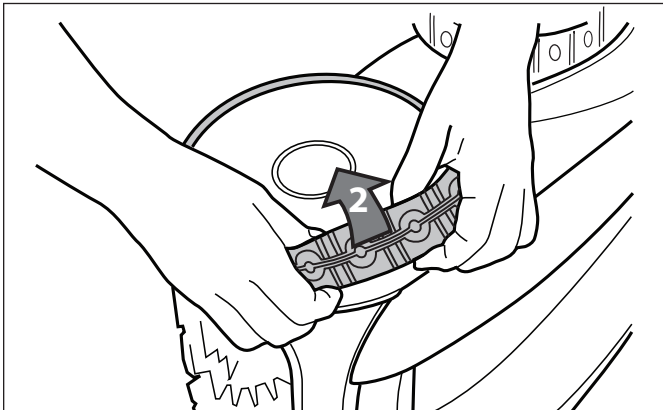


Figure 36. Remove the Old Tire

3. To replace the tire, position the tire on the wheel making sure to orient the tire so that the word **INSIDE** is toward the body of the cleaner. See Figure 37.

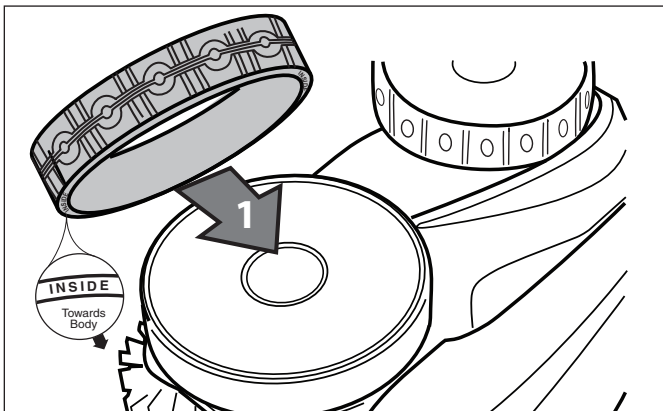


Figure 37. Tire Replacement Orientation

4. Push one side of the tire on to the wheel and fit the rib of the tire in the groove of the wheel as shown in Figure 38.

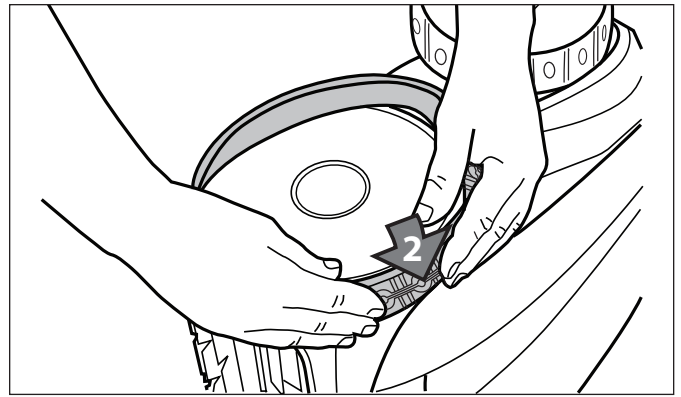


Figure 38. Start on One Side of the Tire

5. Work the tire onto the wheel and verify the rib of the tire is positioned properly within the groove of the wheel. Refer to Figure 39

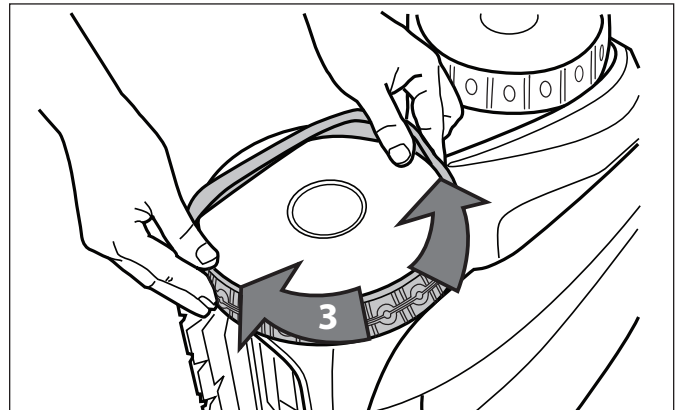


Figure 39. Work the Tire On Around the Wheel

6. Push and position the rib of the inner side of the tire in the groove of the wheel. Refer to Figure 40. If needed, turn the wheel gently to help with installation.

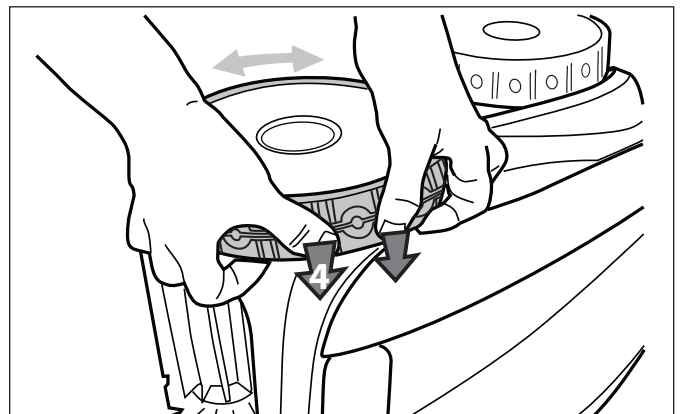


Figure 40. Push the Tire into Place on the Wheel

Section 6. Replacement Parts

The complete replacement parts list and exploded view is available on the Polaris website at www.polarispool.com.

Section 7. Troubleshooting

The following table lists some of the more common symptoms, causes and solutions encountered when using the cleaner. The unit employs flashing lights during Cycle I and II to indicate different issues on the control unit and on the cleaner. These indications are not necessarily major issues. To turn off the flashing light, press the power button. Then start a new cycle: If the flashing lights persist after completing troubleshooting, please contact your retailer. DO NOT open the control unit.

English

Symptom	Cause	Solution
The flashing indicator lights appear just after start (pressing the Power or Cycle button to start the cleaner) (< 20 seconds).	Ensure the floating cable is properly plugged into the control unit.	Unplug the floating cable from the control unit and plug it in again.
	Ensure the cleaner is well submerged and free of trapped air.	Submerge the cleaner following the procedure in Section 4.1, "Submerging the Cleaner".
	Cleaner needs to be reset and start new cycle.	Press the power button OFF and then Cycle I or II Program buttons to start new cycle.
	Propeller does not turn. The filter canister needs to be emptied.	Please contact your local service representative.
	Wheels do not turn.	Please contact your local service representative.
The flashing lights appear during the cycle.	Light flashes if the cleaner sucks air for 60 seconds or more. May be caused at beach entry if cleaner does not reverse correctly.	Resubmerge the cleaner following the procedure in Section 4.1, "Submerging the Cleaner".
The cleaner does not stay firmly on the pool bottom.	There is air in the appliance casing.	Submerge the cleaner following the procedure in Section 4.1, "Submerging the Cleaner".
The cleaner does not or no longer climbs the pool sides.	The filter canister is full or dirty.	Clean the filter canister following the procedure Section 5.1, "Cleaning the Filter Canister".
	Sides of pool are slippery or slimy. Although the water seems clear, microscopic algae, invisible to the human eye, are present in the pool. As a result the pool sides become slippery and prevent the cleaner from climbing. Check tires for wear and replace as necessary.	Do a shock chlorination treatment and slightly reduce the pH. DO NOT leave the cleaner in the pool during this treatment.
On startup the cleaner does not move.	Not supplied with electricity.	The outlet, the control unit is connected to, is not supplying electrical power. Check that the outlet to which the control unit is connected is receiving electricity.
	Unit is turned ON.	Check that you have started one (1) of the two (2) programs and check that the indicator for the selected program is lit. If the problem persists, contact your local service representative.
The Cycle I and II program indicators flash alternately.	Your cleaner has encountered a problem or an issue during its operation.	Disconnect the control unit and wait 20 seconds before reconnecting the control unit. Check that the floating cable is correctly connected to the control unit. Check that no debris impedes the rotation of the brushes and/or the propeller. Empty the filter canister and clean the filter. Start a new cleaning program. If the problem continues contact your local service representative.

The cleaner seems to be performing less efficiently.	The brushes have become smooth or the "wear" indicator shows.	Replace the brushes following the procedure in Section 5.3, "Replacing the Brushes".
	Filter canister is full or dirty.	Clean the filter canister following the procedure in Section 5.1, "Cleaning the Filter Canister".
	Floating cable is excessively coiled or kinked.	Make sure the floating cable is spread out over the pool. Ensure the cable is not too tightly wrapped or coiled when storing. If the problem persists, lay the cable straight in the sun to relax it and remove kinks.

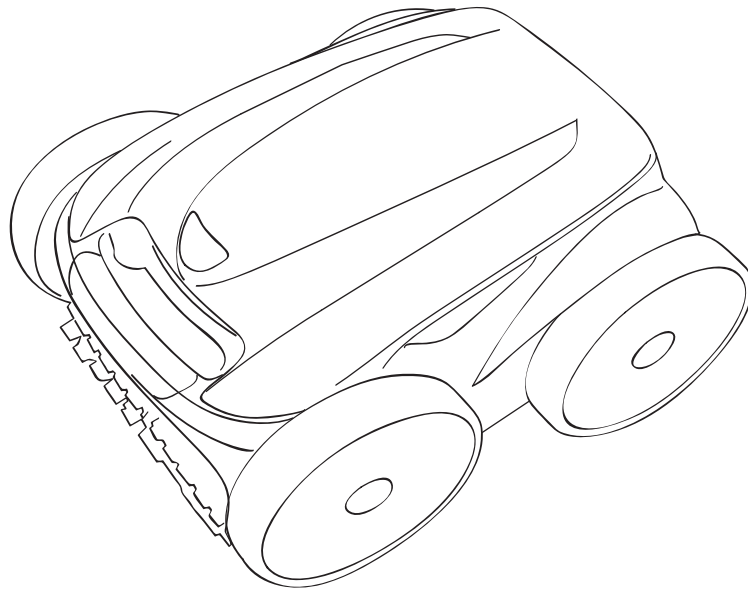
NOTES

English



P93

P94



GUIDE DU PROPRIÉTAIRE

▲ AVERTISSEMENT

POUR VOTRE SÉCURITÉ – Pour toute opération autre que l'entretien de routine et la maintenance décrite dans ce manuel, ce produit doit être pris en charge par une entreprise qui est autorisée et qualifiée pour la réparation des équipements de piscine par la juridiction où le dit produit est installé lorsque de telles exigences locales ou provinciales sont édictées. Si aucune exigence locale ou provinciale n'est disponible, l'agent d'entretien doit être un professionnel avec suffisamment d'expérience dans l'installation et la maintenance d'équipement de piscine pour appliquer correctement les consignes du présent manuel. L'installation ou l'utilisation inappropriée annulera la garantie.

Table des matières

Section 1. Consignes de Sécurité Importantes	19	Section 5. Entretien et nettoyage	27
Section 2. Spécifications du Nettoyeur	21	5.1 Nettoyage du panier filtrant	27
2.1 Spécifications générales	21	5.2 Nettoyage et entreposage du nettoyeur	28
Section 3. Assemblage et utilisation initiale 21		Section 6. Pièces de Rechange	30
3.1 Déballage	21	Section 7. Dépannage	31
3.2 Assemblage du chariot de déplacement	22		
3.3 Raccordement du module de commande au chariot	23		
3.4 Raccordement électrique	24		
Section 4. Fonctionnement	24		
4.1 Immersion du nettoyeur	24		
4.2 Fonctionnement du nettoyeur.....	25		

NOUS VOUS REMERCIONS D'AVOIR ACHETÉ LE ROBOT NETTOYEUR POLARIS® P93 P94.

VOTRE ROBOT NETTOYEUR POLARIS A ÉTÉ CONÇU ET FABRIQUÉ EN VUE D'UNE INSTALLATION FACILE ET D'UN MINIMUM DE MAINTENANCE ET D'ENTRETIEN. AVANT D'INSTALLER VOTRE NOUVEAU NETTOYEUR POLARIS P93 P94, VEUILLEZ SUIVRE LES ÉTAPES SUIVANTES :

- 1) Remplir et renvoyer le bon de garantie.
- 2) Enregistrer votre information d'achat dans les espaces prévus ci-dessous.
- 3) Joindre votre facture (ou une copie) à cette page.

Le respect de ces étapes assure un service rapide de garantie, le cas échéant. Si une réparation est requise, veuillez communiquer avec votre détaillant d'origine. Si le détaillant d'origine ne remplit pas convenablement le service de garantie, veuillez visiter www.polarispool.com pour localiser un service de réparation indépendant près de chez vous. Si vous ne parvenez pas à localiser un service de réparation, veuillez communiquer avec notre service du soutien technique au 800-822-7933.

ENREGISTRER LES RÉFÉRENCES DE VOTRE NETTOYEUR POLARIS P93 P94 ICI :

Date d'achat _____ Acheté chez _____ Numéro de série : _____
(situé sur la tête de l'appareil)

Ville _____ État/Province _____ Code postal _____

Section 1. Consignes de Sécurité Importantes

Félicitations pour l'achat du Robot Nettoyeur Polaris P93 P94. Veuillez lire ce guide au complet avant d'installer votre nouveau nettoyeur de piscine. Le nettoyeur doit être installé et utilisé selon ces directives.

LIRE ET SUIVRE TOUTES LES CONSIGNES

AVERTISSEMENT

Si les précautions suivantes ne sont pas observées, il y a risque de blessures graves, de choc électrique ou de noyade.

ÉVITER LES CHOCS ÉLECTRIQUES

Pour réduire le risque d'un choc électrique :

- Brancher l'appareil à la prise protégée par un disjoncteur de fuite à la terre (DDFT). Un tel DDFT doit être fourni par un installateur qualifié et doit faire l'objet de tests sur une base régulière. Pour faire l'essai du DDFT, appuyer sur le bouton TEST. Le disjoncteur de fuite à la terre doit couper l'alimentation électrique. Appuyer sur le bouton de réinitialisation. L'alimentation électrique devrait être restaurée. Si le disjoncteur de fuite à la terre fait défaut de fonctionner de cette manière, le disjoncteur de fuite à la terre est défectueux. Si le disjoncteur de fuite à la terre coupe l'alimentation de la pompe sans que le bouton TEST ne soit enfoncé, un courant de terre circule, indiquant la possibilité d'un choc électrique. Ne pas utiliser ce produit. Débrancher l'aspirateur, puis faire corriger le problème par un technicien qualifié avant son utilisation.
- Conformément au Code national électrique des États-Unis (NEC), garder l'unité d'alimentation à au moins 1,5 m (5 pi) du bord de l'eau de (piscine/spa) et ne pas la retirer de son chariot. Au Canada, le Code canadien de l'électricité (CCE) requiert qu'une distance minimale de 3 m (10 pi) doit être maintenue entre le bord de la piscine et l'unité d'alimentation. Ne jamais immerger le module de commande.
- Ne pas entrer dans la piscine lorsque le nettoyeur Polaris est dans l'eau.
- Ne pas enterrer le cordon. Placer le cordon de manière à éviter qu'il ne soit endommagé par les tondeuses à gazon, les taille-haies et tout autre équipement.
- Pour réduire le risque de choc électrique, ne pas utiliser l'aspirateur nettoyeur Polaris ou le module de commande si le cordon est usé ou endommagé. Veuillez immédiatement communiquer avec Zodiac Pool Systems, Inc. pour obtenir un fil de rechange.
- Insolation double—Pour une protection continue contre les chocs électriques, n'utiliser que des pièces identiques au moment de l'entretien. Ne pas essayer de réparer le nettoyeur Polaris, le module de commande, le cordon d'alimentation ou le câble flottant.
- NE JAMAIS OUVRIR LE MODULE DE COMMANDE.
- Ne pas utiliser une rallonge afin de brancher l'appareil à l'alimentation ; fournir une sortie adéquatement localisée. Le module de commande doit être placée près de la boîte de sortie.

ÉVITER QUE LES ENFANTS NE SE BLESSENT OU SE NOIENT

- Pour réduire le risque de blessure, ne pas permettre aux enfants d'utiliser ou de faire fonctionner ce produit.
- Ne laisser personne, surtout des jeunes enfants, s'asseoir, mettre le pied, s'appuyer ou monter sur des appareils faisant partie de notre système opérationnel de piscine.

⚠ ATTENTION**Le défaut de se conformer aux avertissements suivants pourrait entraîner des dommages à l'équipement de la piscine ou causer des blessures.**

- Ce produit est destiné pour une utilisation avec des piscines permanentes. Ne pas utiliser avec des piscines remisables. Une piscine installée en permanence est enfoncée dans le sol ou en surface ou dans un bâtiment de telle sorte qu'elle ne peut pas être facilement démontée pour le rangement. Une piscine démontable est construite de sorte qu'elle est susceptible d'être facilement démontée pour le rangement et remontée dans son intégrité originale.
- Le nettoyeur Polaris doit être installé et utilisé tel que est spécifié.
- Mettre le nettoyeur Polaris hors tension avant de le retirer de l'eau et ne pas le faire fonctionner hors de l'eau.
- Ne pas retirer le nettoyeur Polaris de la piscine avant 15 minutes une fois le cycle de nettoyage terminé.
- Nettoyer le filtre cartouche du nettoyeur Polaris après chaque utilisation.
- Ne pas utiliser le nettoyeur dans la piscine si la température de l'eau est supérieure à 35 °C (95 °F) ou inférieure à 13 °C (55 °F).

⚠ ATTENTION**UTILISATION DU NETTOYEUR POLARIS DANS UNE PISCINE À SURFACE DE VINYLE**

Certains motifs de toile de vinyle sont particulièrement sensibles à l'usure rapide de leur surface par des objets qui entrent en contact avec la surface de vinyle, y compris les brosses de nettoyage, les jouets de piscine, les flotteurs, les fontaines, les distributeurs de chlore et les nettoyeurs automatiques de piscine. Certains modèles de revêtement en vinyle peuvent être sérieusement rayés ou éraflés lorsque leur surface est frottée avec une brosse de piscine. L'encre du modèle peut également s'effacer pendant le procédé d'installation ou quand elle entre en contact avec des objets dans la piscine.

Zodiac Pool Systems, inc. n'est pas responsable de l'élimination du dessin, des coupures, des éraflures ou des inscriptions sur les revêtements en vinyle et cette garantie ne couvre pas ces situations.

Section 2. Spécifications du Nettoyeur

2.1 Spécifications générales

Voici les spécifications générales pour le nettoyeur Polaris:

Tension d'alimentation de la boîte de contrôle	100-125 VAC, 60 Hz
Tension d'alimentation du nettoyeur	30 V DC
Puissance installée	150 W max
Longueur du câble	60 ft (18 m)
Dimensions de l'aspirateur (L x P x H)	16.9 x 18.9 x 10.6 in. 43 x 48 x 27 cm
Dimensions de l'emballage (L x P x H)	22.8 x 22.8 x 23.2 in. 58 x 58 x 59 cm
Poids du nettoyeur	21 lbs. (9.5 kg)
Poids de l'emballage	42 lbs. (19 kg)
Filtration	less than 100 microns
Durées de cycle	1.30 hrs, 2.30 hrs.

Le nettoyeur Polaris est un produit à double isolation. Un appareil électrique à double isolation est conçu de sorte qu'il n'est pas nécessaire d'assurer l'installation avec une prise mise à la terre. La condition nécessaire pour que la double isolation soit efficace est qu'aucune panne ne puisse résulter de l'exposition d'une tension dangereuse, pouvant causer un choc électrique. La manière de satisfaire cette condition est de ne pas faire confiance à un cuvelage de métal mis à la terre. Cela est réalisé avec deux (2) couches de matériel isolant autour des composants sous tension ou par l'utilisation d'une isolation renforcée. Par conséquent, les dispositifs ayant une double isolation dans la fabrication, tels que le nettoyeur Polaris, ne comportent pas de cordon/fiche mis(e) à la terre (à trois broches).

Section 3. Assemblage et utilisation initiale

3.1 Déballage

Les articles suivants devraient se trouver dans la boîte : (Se référer à la Figure 1) :

- Nettoyeur
- Module de commande
- Chariot pour déplacement et entreposage (compris avec les composants d'assemblage)

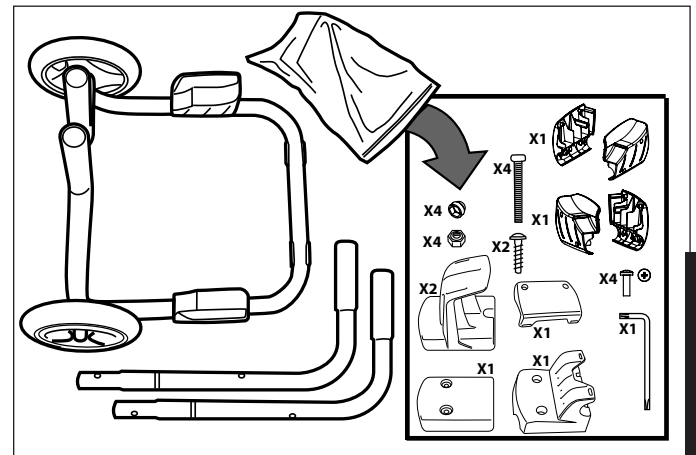


Figure 1. Composants du Nettoyeur

Vérifier que l'appareil n'a pas été endommagé pendant le transport. Si vous constatez des dommages, communiquez avec Zodiac Pool Systems, Inc. au +1 888-647-4004 avant l'utilisation du nettoyeur.

Pour déballer le nettoyeur et ses composants :

1. Retirer la partie inférieure du chariot, ainsi que les crochets supérieurs et inférieurs du câble d'alimentation, le crochet du module de commande, la plaque du crochet du câble d'alimentation, la plaque de verrouillage, les écrous, les boulons et les vis.
2. Retirer la petite boîte qui contient le module de commande.
3. Retirer les poignées (gauche et droite) du chariot se trouvant d'un côté de la boîte.
4. Sortir le nettoyeur de la boîte.

3.2 Assemblage du chariot de déplacement

1. Insérer les tubes supérieurs (poignées) dans les tubes inférieurs du chariot tel qu'il est indiqué à la Figure 2. S'assurer que les tubes supérieurs (poignées) sont bien orientés et aligner les trous de vissage.

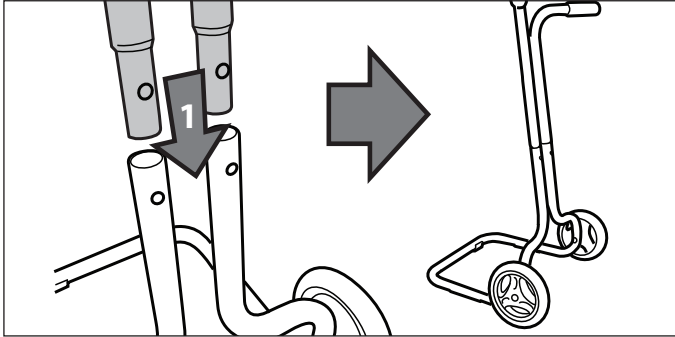


Figure 2. Installer les poignées

2. Placer le crochet du câble d'alimentation inférieur comme illustré à la Figure 3. Placer la plaque du crochet du câble face au crochet du câble d'alimentation. Fixer solidement à l'aide d'une vis, puis serrer avec la clé Torx® (fournie avec l'appareil). Se référer à la Figure 4.

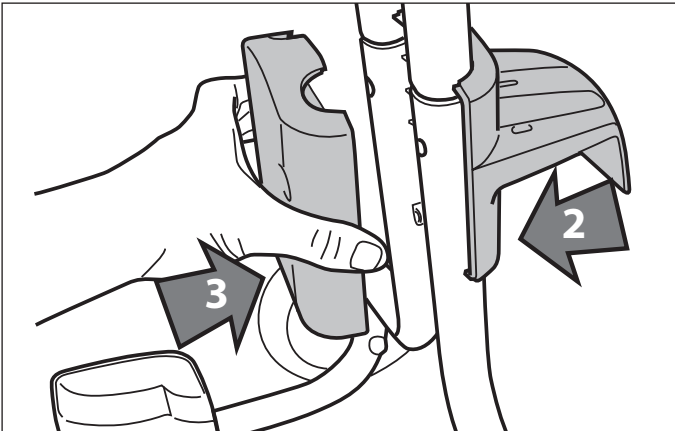


Figure 3. Positionner le crochet du câble d'alimentation inférieur

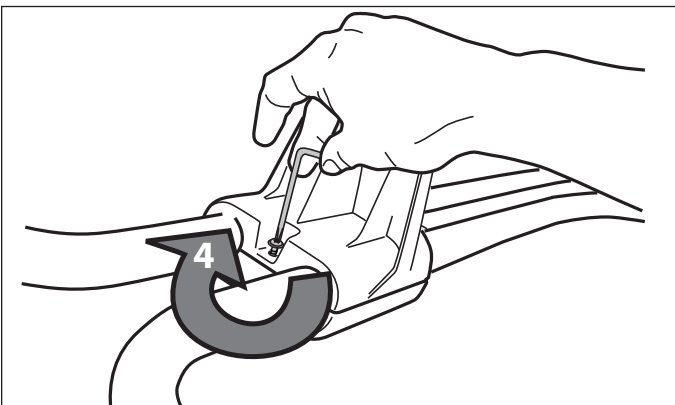


Figure 4. Fixer correctement le crochet du câble d'alimentation inférieur

3. Fixer solidement la plaque du crochet du câble à l'aide de deux (2) boulons et de deux (2) écrous, puis serrer avec la clé Torx®. Se référer à la Figure 5.

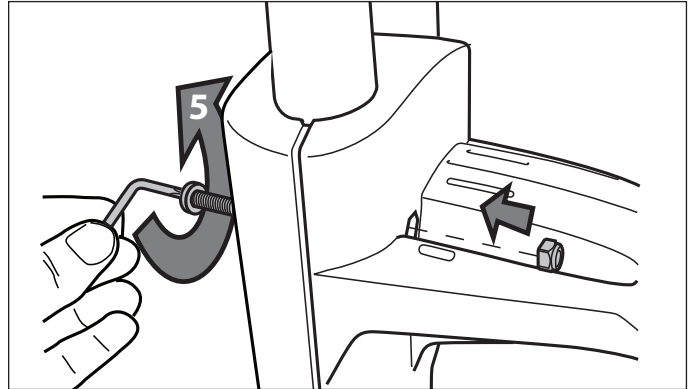


Figure 5. Fixer correctement la plaque du crochet du câble

4. Positionner le crochet du câble d'alimentation et le crochet du module de commande sur les tubes supérieurs, tel qu'il est indiqué à la Figure 6. Assurez-vous que les tubes supérieurs (poignées) sont bien orientés.

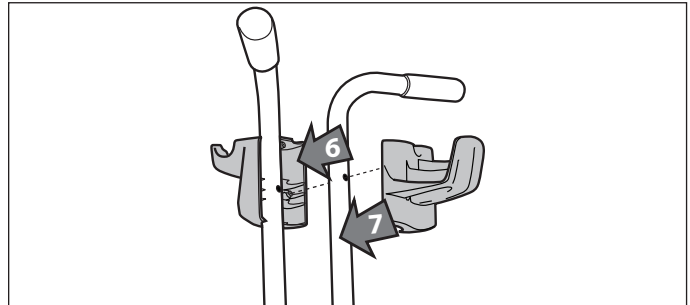


Figure 6. Installer les crochets sur les poignées supérieures

5. Fixer solidement le crochet du câble d'alimentation et le crochet du module de commande autour des tubes à l'aide d'une vis, puis serrer avec la clé Torx. Se référer à la Figure 7.

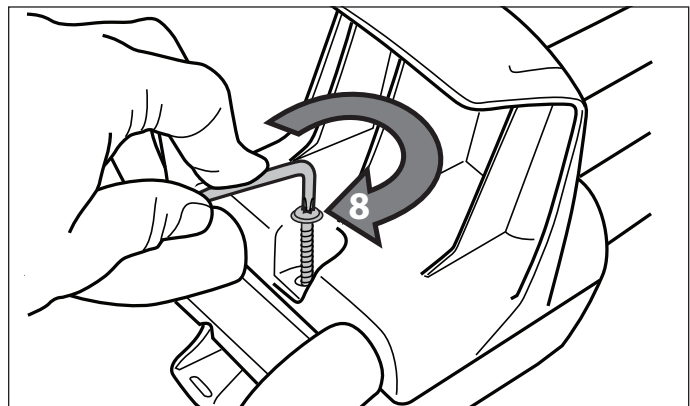


Figure 7. Installer le crochet du câble d'alimentation et le crochet du module de commande

- Fixer solidement le crochet de l'unité de commande à l'aide de deux (2) boulons et de deux (2) écrous, puis serrer avec la clé Torx. Se référer à la Figure 8.

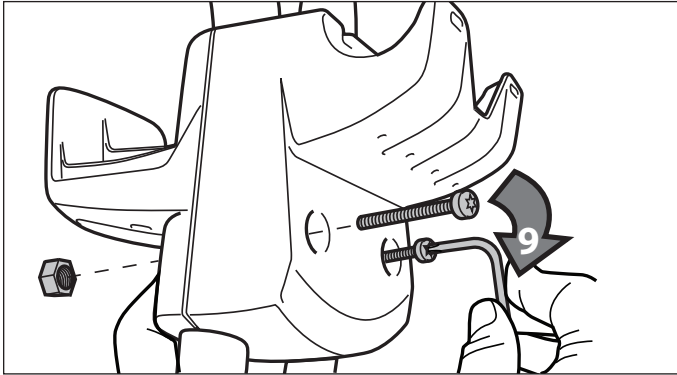


Figure 8. Fixer correctement les crochets

- Placer deux (2) chapeaux sur les roues, comme le montre la Figure 9.

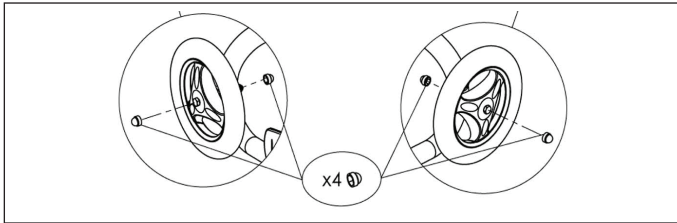


Figure 9. Fixation des chapeaux de roue

- Fixer les blocs de soutien au boîtier à l'aide des quatre (4) vis, comme illustrée aux Figures 10 et 11.

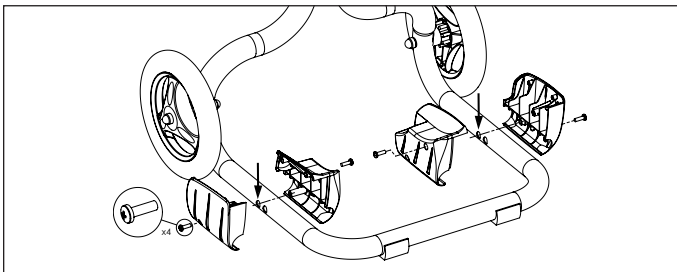


Figure 10. Fixation des blocs d'appui (Polaris P93)

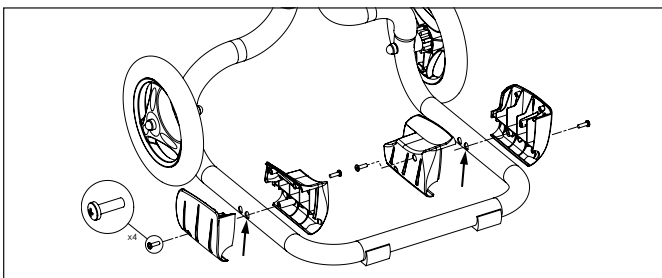


Figure 11. Fixation des blocs d'appui (Polaris P94)

- Le boîtier de transport est maintenant prêt à être utilisé comme illustré à la Figure 12.

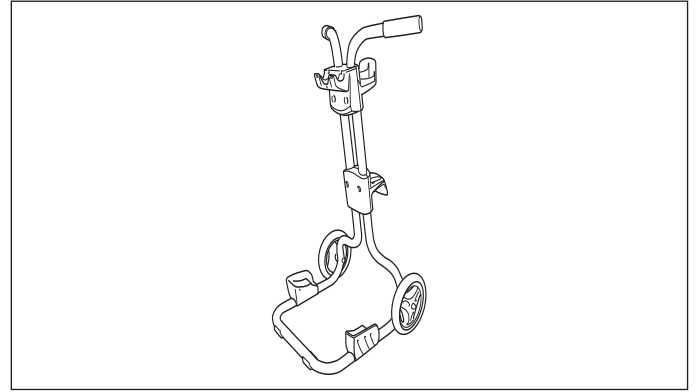


Figure 12. Transport et rangement du chariot assemblé

3.3 Raccordement du module de commande au chariot

- Positionner le module de commande sur le crochet du module de commande du chariot.
- Faire glisser les pinces de la plaque de verrouillage dans le crochet de commande et aligner avec les trous de vis. Se référer à la Figure 13.

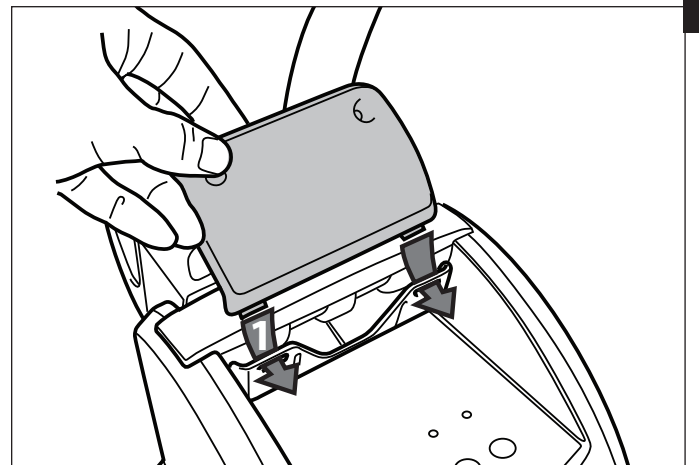


Figure 13. Positionner les pinces des plaques de verrouillage

- Fixer solidement la plaque de verrouillage à l'aide des vis cruciformes. Ne pas trop serrer. Se référer à la Figure 14.

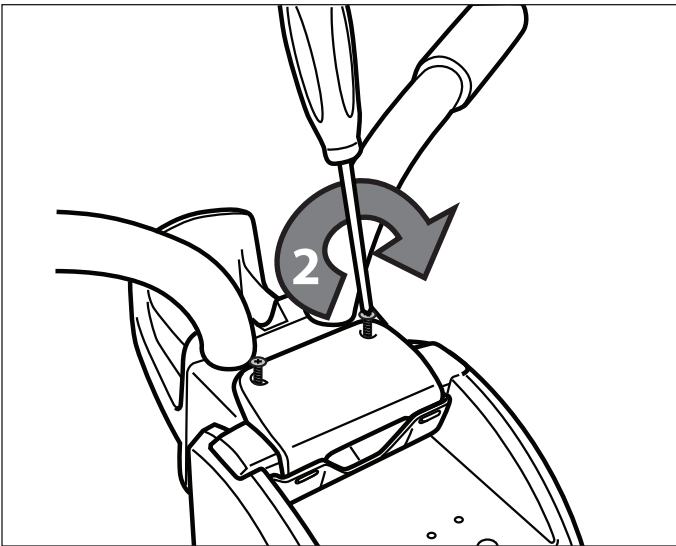


Figure 14. Fixer correctement les plaques de verrouillage

3.4 Raccordement électrique

AVERTISSEMENT

Si les précautions suivantes ne sont pas observées, il y a risque de blessures graves, de choc électrique ou de noyade.

Éviter les chocs électriques

- **É.-U.** : Conformément aux exigences de la NEC®, garder le module de commande à au moins 1,5 m (5 pi) du bord de la piscine. **CANADA** : Conformément aux exigences de la CCE®, garder le module de commande à au moins 3 m (10 pi) du bord de la piscine.
- Ne raccorder le module de commande qu'à une prise de courant protégée par un disjoncteur de fuite à la terre (DDFT). Consultez un électricien certifié s'il y a doute.
- Ne pas utiliser de rallonge pour raccorder le module de commande.
- Ne laisser personne nager alors que le nettoyeur Zodiac est dans la piscine.

Pour votre sécurité et pour obtenir le meilleur rendement possible du nettoyeur, raccorder le câble flottant du nettoyeur à l'unité de commande et le raccord fileté jusqu'à ce qu'il soit bien étiré. Ne pas trop serrer. Se référer à la Figure 15.

Le module de commande du nettoyeur est muni d'un dispositif d'arrêt automatique pour éviter la surchauffe s'il est exposé au soleil direct pendant une longue période de temps.

AVERTISSEMENT

Le module de commande du nettoyeur est hydrorésistant, mais non hydrofuge. Afin d'éviter l'électrocution, qui pourrait entraîner des blessures graves ou la mort, ne jamais immerger le module de commande ou le laisser exposé au temps mauvais.

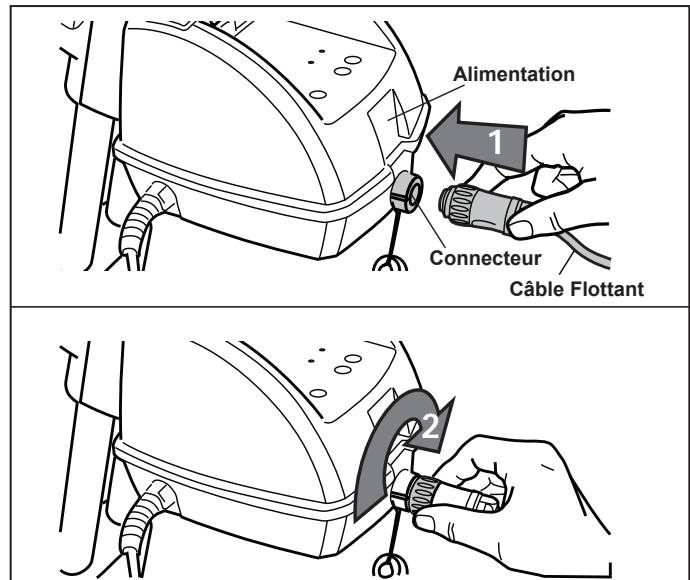


Figure 15. Raccordement électrique

Section 4. Fonctionnement

4.1 Immersion du nettoyeur

1. Immerger le nettoyeur dans l'eau de la piscine et dégager tout l'air se trouvant à l'intérieur en plaçant l'appareil à la verticale. Se référer à la Figure 16.

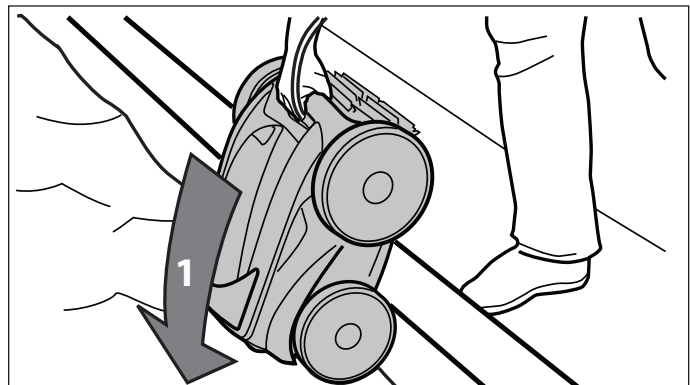


Figure 16. Immerger le nettoyeur verticalement

2. Assurez-vous que le nettoyeur descende jusqu'au fond de la piscine. Se référer à la Figure 17.

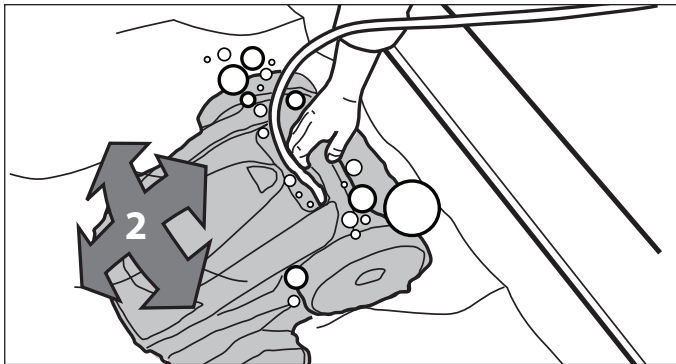


Figure 17. Nettoyeur en descendant au fond de la piscine

- Étendre le câble flottant sur l'eau de la piscine et s'assurer que le câble n'est pas noué ni emmêlé. Se référer à la Figure 18.

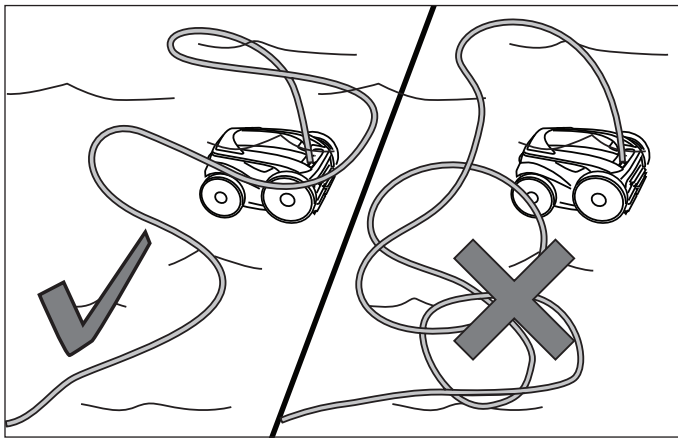


Figure 18. Étendre le câble flottant sur la piscine

4.2 Fonctionnement du nettoyeur

⚠ ATTENTION

Pour empêcher des dommages à votre nettoyeur, suivre les directives suivantes:

- NE PAS sortir le nettoyeur de piscine pendant 15 minutes après la fin du cycle.
- Environ 15 minutes après la fin du cycle, la lumière située sur le module de commande clignotera lentement pour indiquer que le robot peut être enlevé de la piscine. La période de 15 minutes permet au moteur de refroidir, évitant ainsi d'endommager le robot.
- Retirer le robot nettoyeur de la piscine, une fois la fin du cycle de nettoyage et ranger le chariot en hors du soleil ou du temps mauvais.
- Ne jamais soulever le nettoyeur hors de la piscine en tirant par le câble flottant. Utiliser toujours la poignée pour l'enlever de la piscine. Se référer aux Figures 21 et 22.
- Retirer le nettoyeur de la piscine lors de la surchlorination ou l'addition d'acide.
- En sortant le nettoyeur de la piscine, prenez garde. Le nettoyeur est rempli de l'eau et devient plus lourd.
- Ne pas toucher le nettoyeur lorsqu'il est en fonctionnement.

REMARQUE S'assurer que le nettoyeur descende complètement jusqu'au fond de la piscine avant de commencer le programme de nettoyage.

Quand le robot est **ACTIVÉ**, il restera en état d'alerte jusqu'à ce que le bouton du programme soit appuyé. Choisir le programme de nettoyage du Cycle I ou Cycle II sur le module de commande.

Programme du Cycle I	Programme du Cycle II
Accompli en 1,5 heures	Accompli en 2,5 heures
Couverture maximale dans un délai minimal	Nettoyage complet et en profondeur
Nettoyage complet du fond de la piscine	Nettoyage complet de parois de la piscine

- Démarrer le nettoyeur en appuyant sur le bouton qui active le programme de nettoyage choisi (voir Figure 19). Le « Cycle I » de nettoyage est le cycle de nettoyage principal pour les piscines creusées.

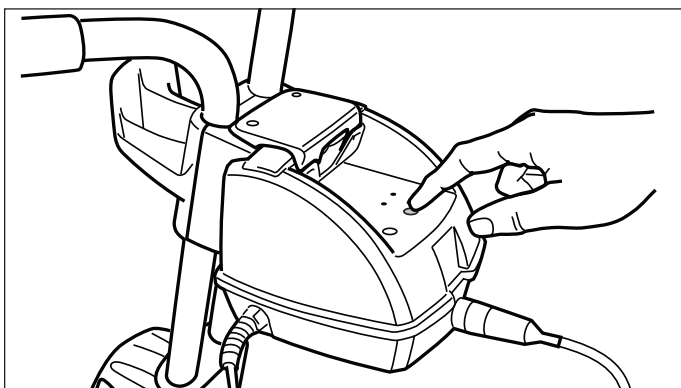


Figure 19. Démarrer le nettoyeur

2. Lorsque vous sélectionnez le bouton du programme, le voyant de signalisation s'allumera. Le robot démarrera en quelques secondes.
3. Pour changer le cycle de nettoyage choisi, appuyer sur le bouton de nouveau cycle pour le faire démarrer en quelques secondes.
4. Afin d'arrêter le robot pendant un cycle de nettoyage, appuyer sur le bouton « ARRÊT ». Se référer à la Figure 20.

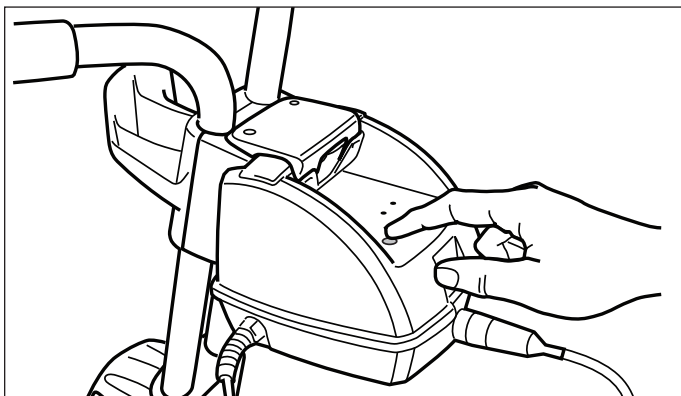


Figure 20. Éteindre le nettoyeur

5. À la fin du cycle, le robot s'arrête et après 15 minutes le voyant clignote lentement pour vous indiquer que le cycle est terminé.
6. Le nettoyeur est muni d'un dispositif sécuritaire qui l'arrête automatiquement après 20 secondes lorsqu'il est activé, mais n'est pas immergé. Pour les piscines avec plage, ce délai permet au robot d'opérer à reculons jusqu'à la piscine lorsque l'hélice est hors de l'eau.
7. Débrancher le câble du module de commande de la prise électrique.
8. Débrancher le câble du module de commande.

REMARQUE Le câble de l'aspirateur doit être déconnecté de la boîte de contrôle toujours avant de retirer le nettoyeur de la piscine.

9. Sortir le nettoyeur de la piscine en utilisant la poignée (se référer aux Figures 20 et 21). Ne jamais sortir le nettoyeur de la piscine en tirant sur le câble flottant.
10. Enrouler le câble flottant à partir du robot jusqu'à la prise pour le module de commande. Enrouler le câble du nettoyeur autour des crochets situés à l'arrière du chariot.

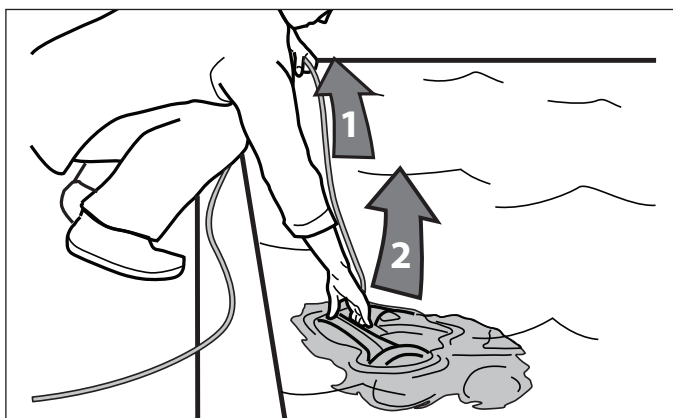


Figure 21. Sortir le nettoyeur de la piscine

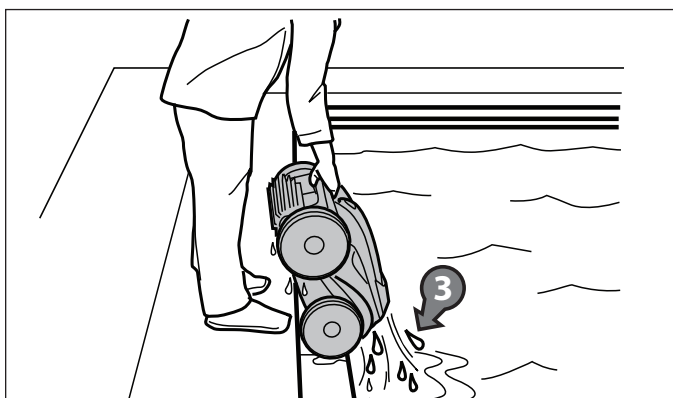


Figure 22. Garder le nettoyeur en position verticale pour vider l'eau

IMPORTANT

- Utiliser votre nettoyeur aussi souvent que nécessaire pour maintenir votre piscine propre.
- Nettoyer le panier filtrant après chaque cycle de nettoyage.
- Ne pas laisser le robot dans la piscine en permanence.
- Après chaque cycle, retirer le robot de la piscine. Commencer à la tête du robot et démêler tous les nœuds dans le câble avant d'entreposer le robot.

Section 5. Entretien et nettoyage

⚠ AVERTISSEMENT

Pour éviter les chocs électriques et autres risques qui pourraient entraîner des blessures permanentes ou la mort, déconnecter (débrancher) le nettoyeur de l'unité de contrôle avant d'effectuer toute opération de nettoyage et d'entretien.

5.1 Nettoyage du panier filtrant

Nettoyer le panier filtrant à la fin de chaque cycle.

1. S'assurer que le câble de l'unité de contrôle a été débranché de la prise électrique ou que le câble flottant a été débranché de l'unité de contrôle.
2. Retirer le nettoyeur de l'eau et laisser l'eau restante vidanger en maintenant le nettoyeur à la verticale.
3. Placer l'appareil sur ses roues.
4. Pour enlever le filtre du nettoyeur, suivre les étapes 5 à 8 (Figures 23 à 26).
5. Appuyer sur le verrou du couvercle (1) et soulever le couvercle (2) jusqu'à ce qu'il soit fixé en position verticale. Se référer à la Figure 23.

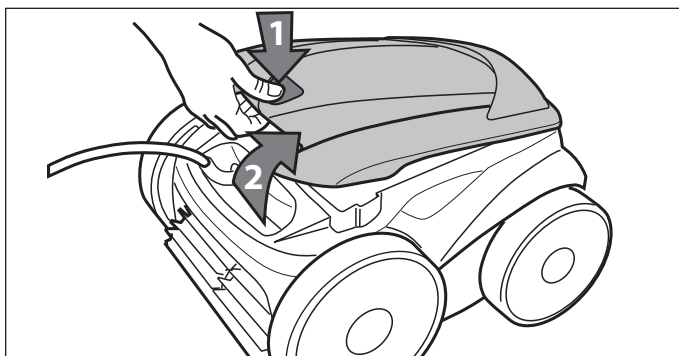


Figure 23. Soulever le couvercle du nettoyeur

6. Enlever l'ensemble du filtre du corps (3), comme illustré à la Figure 24.

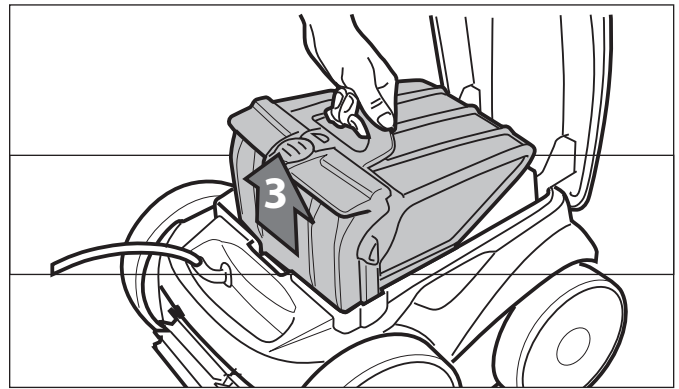


Figure 24. Retirer l'assemblage du filtre

7. Appuyer sur le bouton de déverrouillage rapide de l'assemblage du panier (4) et retirer l'ensemble filtre pour l'ouvrir (5). Se référer à la Figure 25

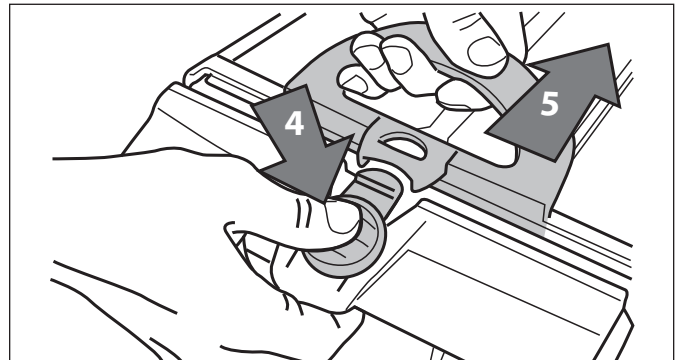


Figure 25. Ouvrir le panier filtrant

8. Séparer le panier filtrant du support du filtre (6), comme illustré à la Figure 26.

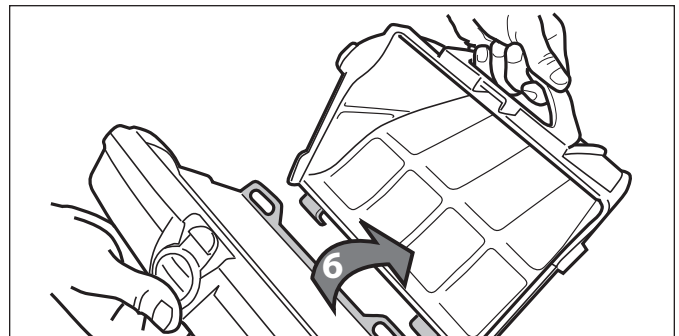


Figure 26. Retirer le panier filtrant

9. Vider le panier filtrant de résidu, puis rincer le panier, le support du filtre et le nettoyeur sous l'eau ou à l'aide d'un tuyau. Se référer à la Figure 27.

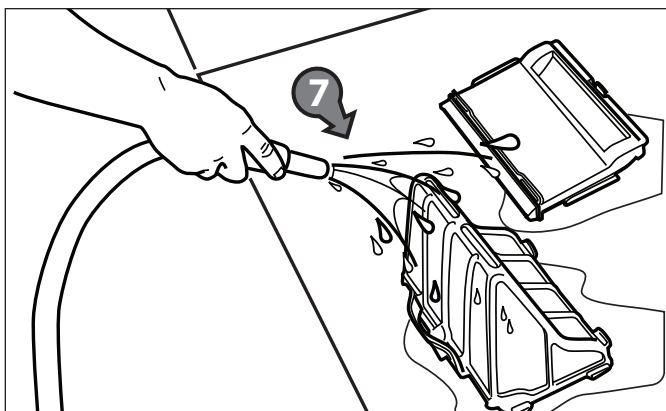


Figure 27. Laver le panier filtrant

5.2 Nettoyage et entreposage du nettoyeur

Le nettoyeur doit être nettoyé régulièrement en utilisant de l'eau propre légèrement savonneuse ; ne pas utiliser de solvants, tel que le trichloréthylène ou équivalent. Rincer le nettoyeur abondamment à l'eau propre. Ne pas laisser votre nettoyeur sécher à la lumière directe du soleil près de la piscine. Le nettoyeur doit être rangé sur son propre chariot, de sorte qu'il sèche rapidement.

1. Placer les roues arrière sur les cales latérales du chariot, tel qu'il est indiqué à la Figure 28.



Figure 28. Positionner le nettoyeur sur le chariot

2. Remettre l'appareil en place en le roulant sur le chariot. Se référer à la Figure 29.

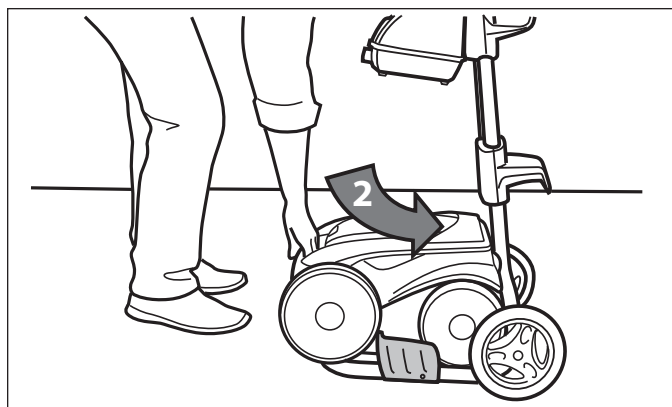


Figure 29. Installer correctement le nettoyeur sur le chariot

5.3 Remplacement des brosses

Le nettoyeur est équipé de brosses de PVC. Il y a des indicateurs « d'usure » sur les brosses. Pour maintenir la performance du nettoyeur, il faut remplacer les brosses dès qu'un des indicateurs d'usure est atteint (même si l'usure de la lame n'est pas uniforme). On vous recommande de remplacer les brosses tous les deux (2) ans.

1. Soulever le nettoyeur en position verticale de sorte que la poignée soit vers le haut. Se référer à la Figure 30.

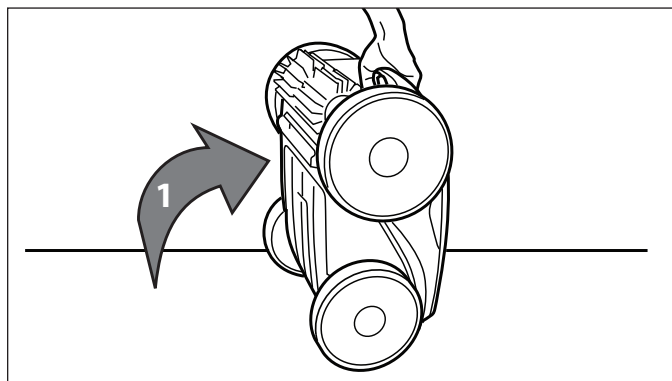


Figure 30. Nettoyer l'appareil en position debout

2. Séparer les bords de la brosse et retirer les onglets, tel qu'il est indiqué à la Figure 31. Retirer les brosses usées.

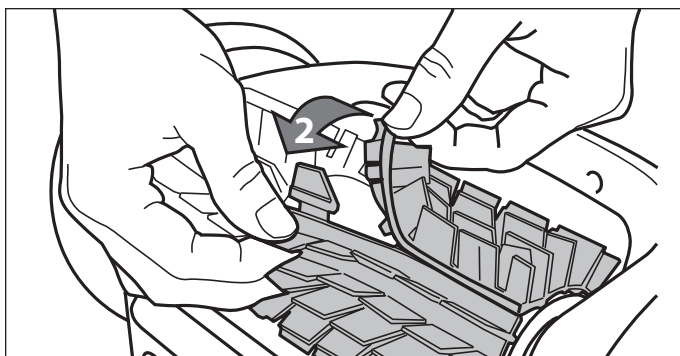


Figure 31. Défaire les pinces de fixation des brosses

3. Pour installer une nouvelle brosse, placer la nouvelle brosse sur le rouleau avec les pointes vers le bas. Se référer à la Figure 32.

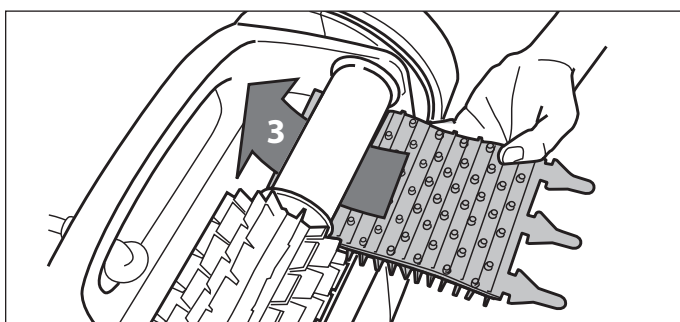


Figure 32. Installer les nouvelles brosses

4. Fileter doucement chaque onglet à travers la fente fournie, de manière à ce que le talon sorte sur l'autre côté de l'ouverture. Se référer à la Figure 33.

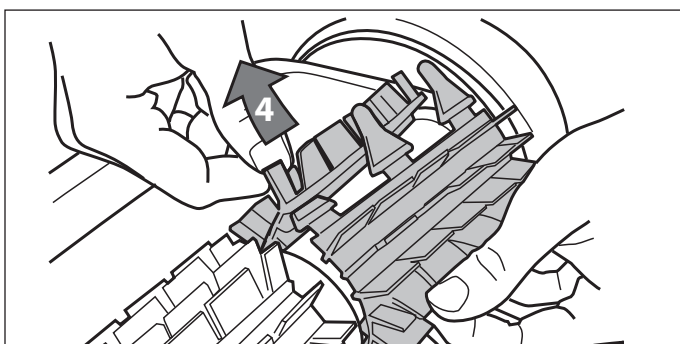


Figure 33. Insérer les onglets dans chaque fente

5. Utiliser une paire de ciseaux pour couper les onglets à 19 mm (3/4 po) du talon de manière à ce qu'ils ne dépassent pas les pointes, tel qu'il est indiqué à la Figure 34.

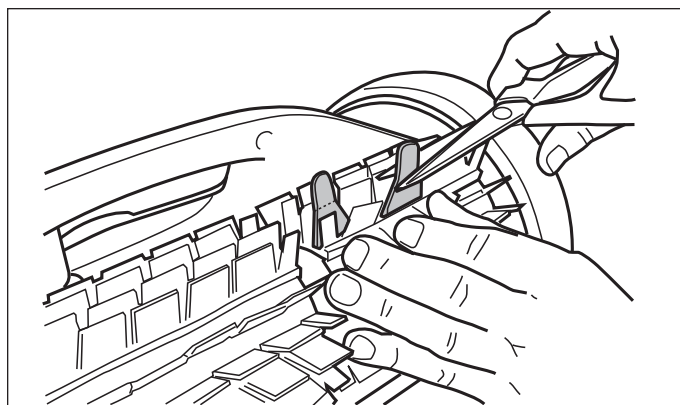


Figure 34. Couper les onglets

6. Refaire cette procédure pour installer la deuxième brosse.

5.4 Remplacement des pneus du nettoyeur

1. Tirer sur l'intérieur du vieux pneu pour enlever le pourtour du pneu de la roue. Voir la Figure 35.

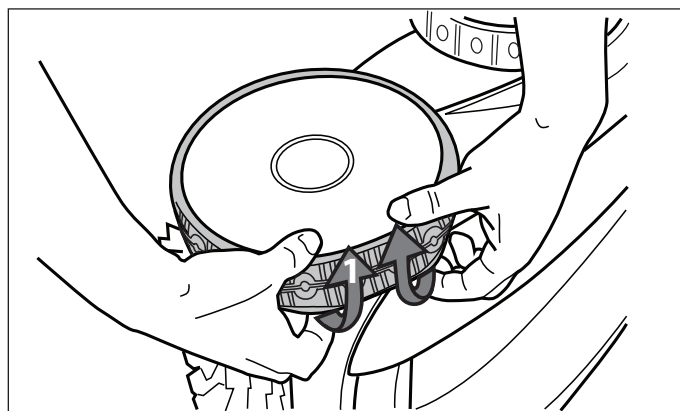


Figure 35. Détacher le pneu usé de la roue

2. Enlever le vieux pneu comme illustré à la Figure 36.

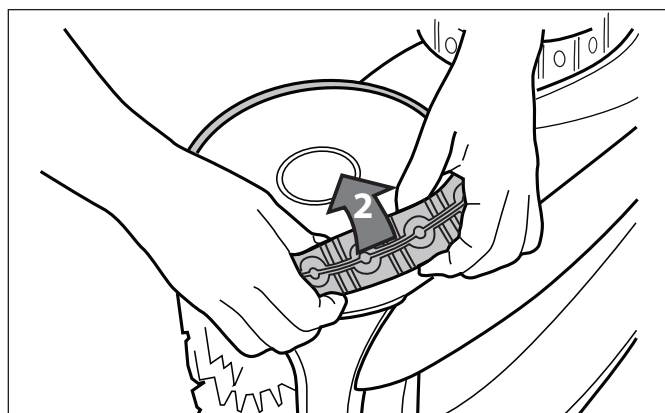


Figure 36. Retirer le pneu usé

3. Pour remplacer le pneu, le positionner sur la roue en s'assurant de l'orienter de manière à ce que le mot "INSIDE" sur la bande de roulement soit sur le côté intérieur de la roue, tourné vers le boîtier du nettoyeur. Se référer à la Figure 37.

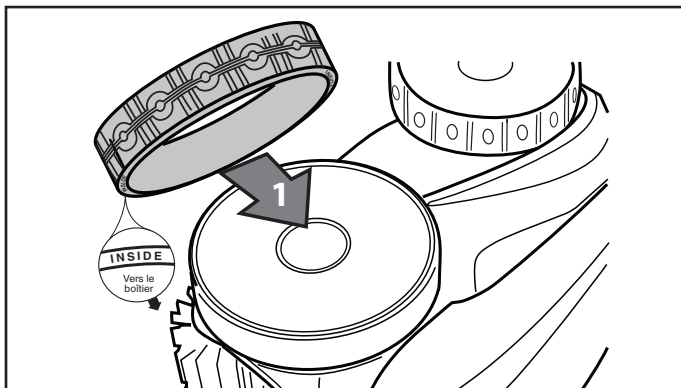


Figure 37. Sens pour remettre un pneu

4. Pousser un côté du pneu dans la roue et mettre la nervure du pneu dans la rainure de la roue, comme illustré à la Figure 38.

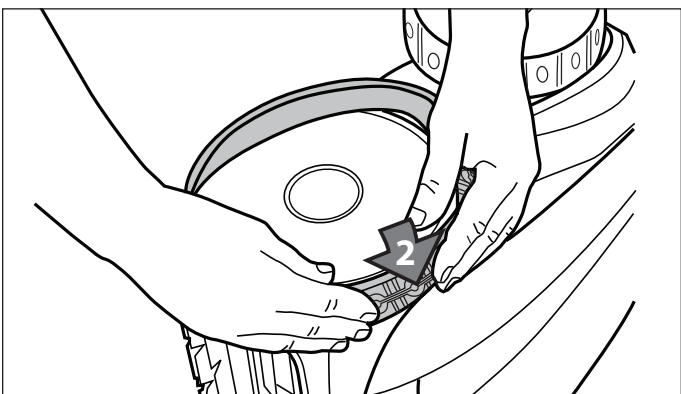


Figure 38. Commencer par un côté du pneu

5. Continuer à insérer le pneu dans la roue et vérifier que la nervure du pneu est placée correctement dans la rainure de la roue. Se référer à la Figure 39.

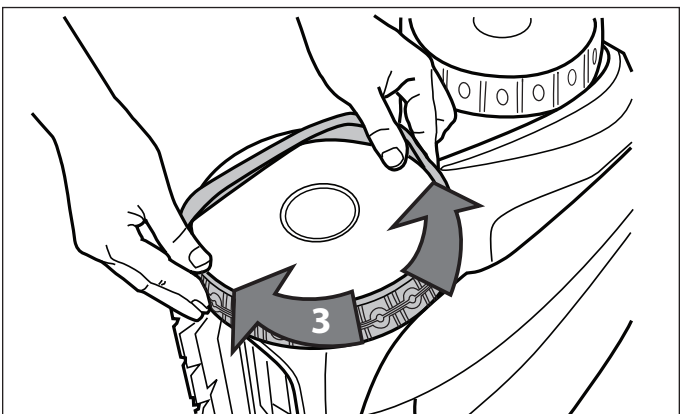


Figure 39. Étirer le pneu autour de la roue

6. Pousser et placer la nervure du côté intérieur du pneu dans la rainure de la roue. Se référer à la Figure 40. Au besoin, faire tourner la roue doucement pour aider avec l'installation.

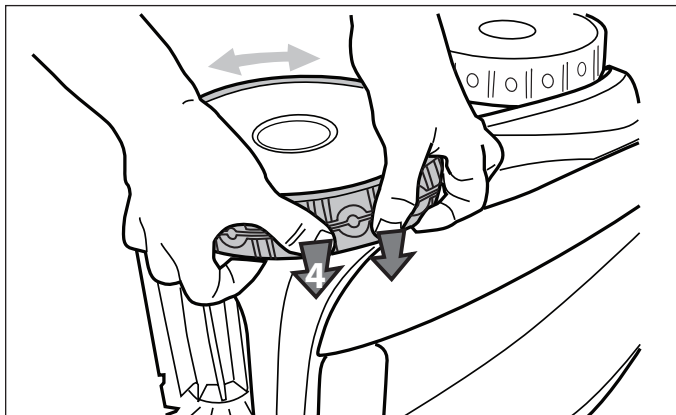


Figure 40. Remettre le pneu sur la roue

Section 6. Pièces de Rechange

La liste complète des pièces de rechange et la vue éclatée sont disponibles au site internet de Polaris à www.polarispool.com.

Section 7. Dépannage

Le tableau suivant énumère quelques-uns des symptômes courants pouvant être rencontrés lors du fonctionnement du nettoyeur et indique leurs causes et les solutions. L'appareil comporte des témoins clignotants pour les Cycles I et II pour indiquer les différents problèmes relatifs au module de commande et au nettoyeur. Ces témoins ne signalent pas forcément les problèmes graves. Pour éteindre les témoins clignotants, appuyer sur le bouton d'alimentation. Puis démarrer un nouveau cycle : si les témoins clignotent toujours après que l'incident ait été résolu, communiquer avec le revendeur. NE PAS ouvrir le module de commande.

Symptôme	Cause	Solution
Les témoins clignotants s'allument juste après le démarrage (en appuyant sur le bouton « Power » ou « Cycle » pour démarrer le nettoyeur) (< 20 secondes).	S'assurer que le câble flottant est correctement branché au module de commande.	Débrancher le câble flottant du module de commande, puis le brancher à nouveau correctement.
	S'assurer que le nettoyeur est bien immergé.	Immersion du nettoyeur d'après la procédure à la Section 4.1 « Immersion du nettoyeur ».
	Le nettoyeur a besoin d'être réinitialisé et de démarrer un nouveau cycle.	Appuyer sur le bouton d'alimentation OFF puis sur les boutons des programmes Cycle I ou II pour débiter un nouveau cycle.
	L'hélice ne tourne pas.	Veillez communiquer avec votre représentant de service autorisé.
	Les roues ne tournent pas.	Veillez communiquer avec votre représentant de service autorisé.
Les témoins clignotants s'allument pendant le cycle.	Si le nettoyeur aspire de l'air pendant 60 secondes, un témoin clignotant s'allume.	Immersion du nettoyeur d'après la procédure à la Section 4.1 « Immersion du nettoyeur ».
Le nettoyeur ne tient pas fermement en position au fond de la piscine.	Il y a de l'air dans le boîtier de l'appareil.	Immersion du nettoyeur d'après la procédure à la Section 4.1 « Immersion du nettoyeur ».
Le nettoyeur ne remonte pas ou plus les parois de la piscine.	Le sac filtrant est plein ou sale.	Nettoyer le sac filtrant en suivant la procédure Section 5.1, « Nettoyage du sac filtrant ».
	Les parois de la piscine sont glissantes ou gluantes. Même si l'eau semble claire, des algues microscopiques, invisibles à l'œil nu, sont présentes dans la piscine. Les parois de la piscine deviennent alors glissantes et empêchent le nettoyeur de grimper.	Effectuer un traitement choc de chlorination et réduire légèrement le pH. RETIRER le nettoyeur de la piscine pendant ce traitement.
Le nettoyeur nettoyeur ne bouge pas au démarrage.	Il n'est pas alimenté.	La sortie à laquelle le module de commande est raccordé ne fournit aucune alimentation électrique. Vérifier que la prise à laquelle le module de commande est raccordé reçoit de l'électricité.
	Le système est activé (ON).	Vérifier qu'un (1) des deux (2) programmes a été démarré et que le témoin du programme sélectionné est allumé. Si le problème persiste, communiquer avec votre représentant technique Polaris.
Les témoins des programmes cycle I et II clignotent successivement.	L'appareil a eu un problème ou un incident lors de son fonctionnement.	Débrancher le module de commande, attendre 20 secondes puis la rebrancher à nouveau. Vérifier que le câble est correctement raccordé au module de commande. S'assurer qu'aucun résidu n'empêche les brosses ou l'hélice de tourner correctement. Nettoyer le filtre. Lancer un nouveau programme de nettoyage. Si le problème persiste, veuillez communiquer avec le représentant local de Polaris.
Le nettoyeur semble moins efficace.	Les brosses se sont aplaties.	Remplacer les brosses selon la procédure décrite à la Section 5.3 « Remplacement des brosses ».
	Sac filtrant plein ou sale	Nettoyer le sac filtrant en suivant les étapes décrites sections 5.1 « Nettoyage du sac filtrant ».
	Le câble flottant est excessivement enroulé ou déformé.	S'assurer que le câble flottant est bien déployé hors de la piscine.

Zodiac Pool Systems, Inc.

2620 Commerce Way, Vista, CA 92081
1.800.822.7933 | www.ZodiacPoolSystems.com

Zodiac Pool Systems Canada, Inc.

2115 South Service Road West, Unit 3
Oakville, Ontario • Canada L6L 5W2
1.888.647.4004 | FAX: 1.905.825.5780

*ZODIAC® is a registered trademark of Zodiac International, S.A.S.U., used under license.
All other trademarks used herein are the property of their respective owners.*

*ZODIAC est une marque de commerce déposée de Zodiac International, S.A.S.U., utilisée sous licence.
Toutes les autres marques de commerce mentionnées sont la propriété de leurs propriétaires respectifs.*

*ZODIAC es una marca registrada de Zodiac International, S.A.S.U., usada bajo licencia. Todas las
otras marcas registradas usadas aquí son propiedad de sus propietarios*

©2011 Zodiac Pool Systems, Inc. H0371400 Rev A 1201



Conforms to UL 1081
Certified to CSA E63055-2-41

