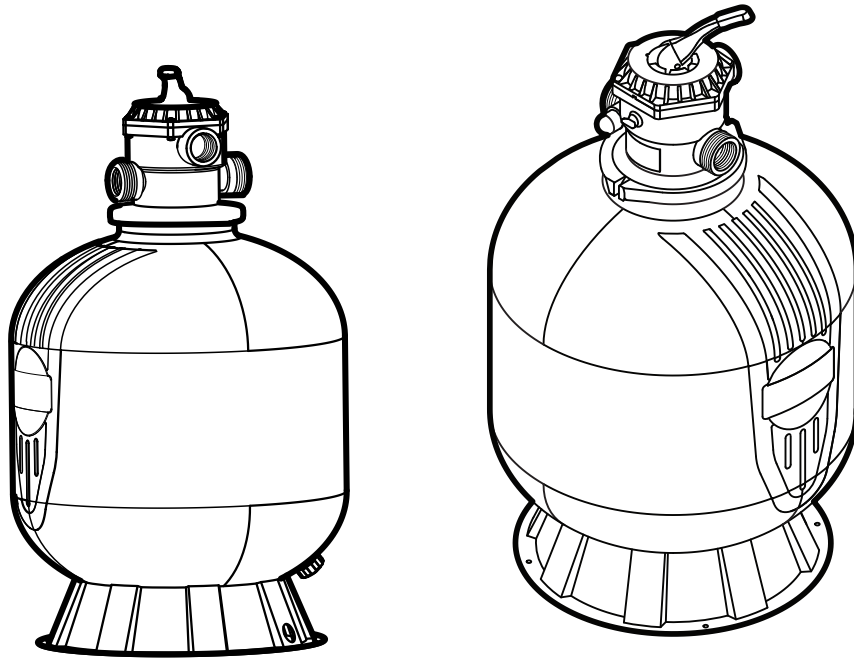




# PRESTIGE



## Above Ground Sand Filter PAG19SF, PAG22SF

### Owner's Manual

ENGLISH | FRANÇAIS | ESPAÑOL

#### **⚠ WARNING**

FOR YOUR SAFETY - This product must be installed and serviced by a contractor who is licensed and qualified in pool equipment by the jurisdiction in which the product will be installed where such state or local requirements exist. The maintainer must be a professional with sufficient experience in pool equipment installation and maintenance so that all of the instructions in this manual can be followed exactly. Improper installation and/or operation can create dangerous high pressure which can cause a catastrophic product failure and/or cause the multiport valve to be blown off possibly causing death, serious injury or property damage.

**DO NOT MODIFY THIS EQUIPMENT.**



Before installing this product, read and follow all warning notices and instructions that accompany this product. Failure to follow warning notices and instructions may result in death, serious injury or property damage. Consult Polaris customer service at 1-800-822-7933 for assistance. Improper installation and/or operation may void the warranty.

# Table of Contents

- Section 1. Important Safety Instructions..... 3**
- Section 2. Package Contents..... 4**
  - 2.1 Contents .....4
  - 2.2 Required Tools/Equipment.....4
- Section 3. Equipment Location ..... 5**
  - 3.1 Equipment Pad .....5
  - 3.2 Filter Location .....5
- Section 4. Initial Setup..... 5**
  - 4.1 System Pack Installation.....5
  - 4.2 Install Hub and Laterals .....5
  - 4.3 Fill With Sand.....6
  - 4.4 Assemble Multi-port Valve .....6
  - 4.5 Install Multi-port Valve.....6
  - 4.6 Plumbing.....7
- Section 5. Operation..... 7**
  - 5.1 Filter Valve Functions .....7
  - 5.2 Initial Start up.....8
  - 5.3 Operating Pressure.....8
  - 5.4 Changing the Filter Sand .....9
  - 5.5 Winterizing .....9
- Section 6. Specifications..... 10**

## EQUIPMENT INFORMATION RECORD

DATE OF INSTALLATION \_\_\_\_\_

INSTALLER INFORMATION \_\_\_\_\_

INITIAL PRESSURE GAUGE READING (WITH CLEAN FILTER) \_\_\_\_\_

PUMP MODEL \_\_\_\_\_

HORSEPOWER \_\_\_\_\_

NOTES: \_\_\_\_\_  
\_\_\_\_\_  
\_\_\_\_\_

## Section 1. Important Safety Instructions

### READ AND FOLLOW ALL INSTRUCTIONS

#### WARNING



#### **MAXIMUM OPERATING PRESSURE OF THE FILTER IS 35 PSI. NEVER SUBJECT THE FILTER TO ANY OPERATING PRESSURE EXCEEDING 35 PSI**

- Do not connect the system to an unregulated city water system or other external source of pressurized water producing pressures greater than 35 PSI.
- This filter operates under high pressure. When any part of the circulating system, i.e., filter, pump, valve(s), etc. is serviced, air can enter the system and become pressurized when the system is restarted.
- Pressurized air in a system can cause product failure or also cause the dial valve to be blown off which can result in death, serious personal injury or property damage.
- To minimize risk of severe injury or death, the filter and/or pump should not be subjected to the piping pressurization test. Local codes may require the pool piping system to be subjected to a pressure test. These requirements are generally not intended to apply to the pool equipment such as filters or pumps. Polaris pool equipment is pressure tested at the factory.

If however, this **WARNING** cannot be followed and pressure testing of the piping system must include the filter and/or pump **BE SURE TO COMPLY WITH THE FOLLOWING SAFETY INSTRUCTIONS.**

- Check all clamps, bolts, lids, locking devices and system accessories to ensure they are properly installed and secured before testing.
- RELEASE ALL AIR in the system before testing.
- Water pressure for test must NOT EXCEED 35 PSI
- Water temperature for test must NOT EXCEED 100°F (38°C).
- Limit test to 24 hours. After test, visually check system to be sure it is ready for operation.

**NOTICE:** These parameters apply only to Polaris equipment. For non-Polaris equipment, consult the equipment manufacturer.

To avoid electrical shock hazard, which can result in serious injury or death:

- Ensure that all electrical to the system is turned off before approaching, inspecting or troubleshooting any leaking valves or plumbing that may have caused other electrical devices in the surrounding area to get wet.
- Water discharged from an improperly positioned filter or valve can create an electrical hazard which can cause death, serious injury or property damage.
- Improper dial valve installation can cause product failure or also cause the filter dial to be blown off, which can result in death, serious personal injury or property damage.
- Never attempt to adjust or remove the dial valve when the pump is running or there is pressure in the system. This can cause product failure or also cause the filter dial to be blown off, which can result in death, serious personal injury or property damage.

#### CAUTION

- Maintain your pressure gauge in good working order. The pressure gauge is the primary indicator of how the filter is operating.
- Creating high vacuum levels can cause the tank vessel to crack and leak with the potential for property damage.
- Be sure that all provisions for waste water disposal meet local, provincial or national codes. During any backwash or draining process, 100 gallons or more of water will be discharged. Do not discharge water where it will cause flooding or damage.
- To avoid damaging the laterals (spokes), slowly add the filter media until the laterals are fully covered. Consult Installation and Operation Manual for complete sand filling instructions cracked or broken laterals (spokes) will cause sand to be discharged to the pool.



Attention installer: This manual contains important information about the installation, operation and safe use of this product. This information should be given to the owner/operator of this equipment.

**SAVE THESE INSTRUCTIONS**

## Section 2. Package Contents







### 2.1 Contents

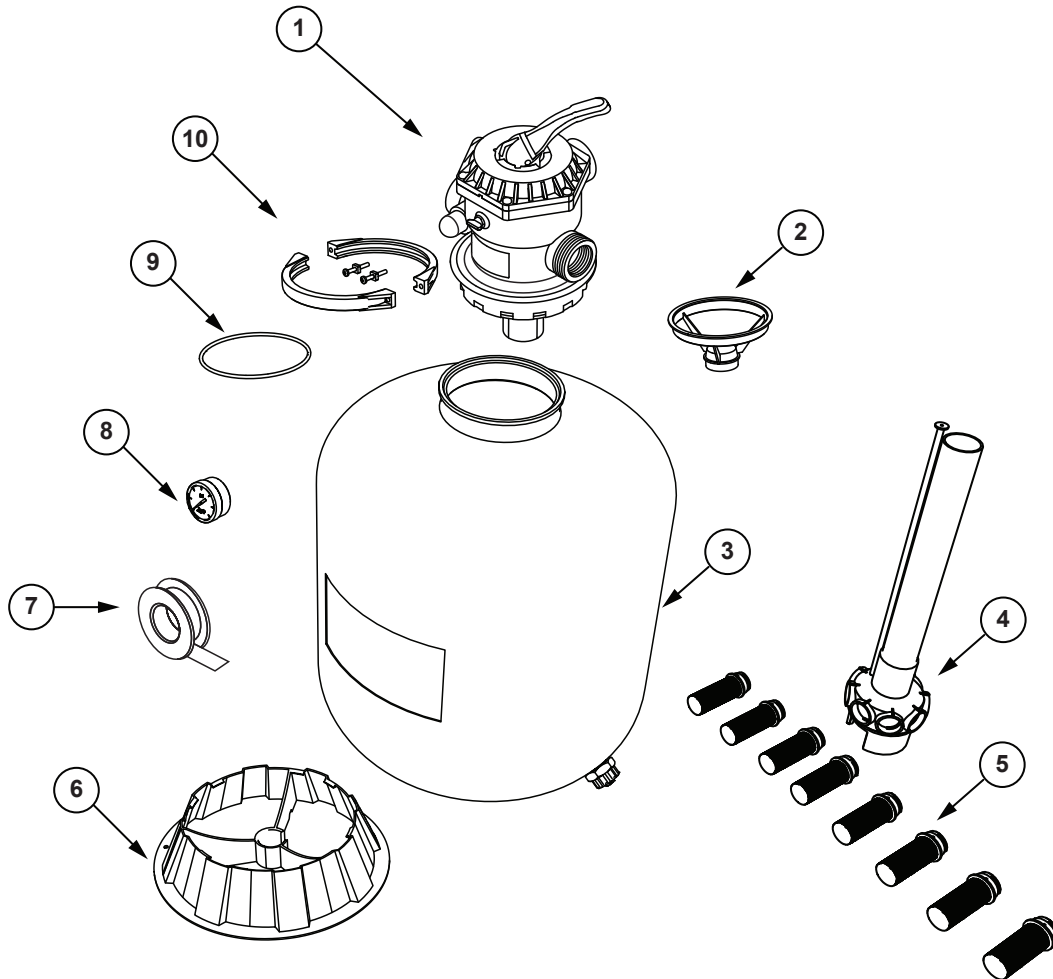
Unpack and check contents. If any parts are missing or damaged, please call Customer Support at 800.822.7933.

ITEM	DESCRIPTION	QTY.
1	Multiport Valve	1
2	Sand Guard	1
3	Filter Tank	1
4	Lateral Hub Assembly	1
5	Laterals	8
6	Base	1
7	PTFE Tape	1
8	Pressure Gauge	3
9	Valve O-Ring	3
10	Clamp Arm	2
	Retaining Bolt	2
	Capture Nut	2

### 2.2 Required Tools/Equipment

The following list of equipment should be present and available to the installer at the time of install. Failure to use the appropriate safety and installation equipment could lead to personal injury or property damage.

	Safety Eyewear		Level
	Scoop		Channel Locks
	Gloves		Screwdriver, Phillips Head





## Section 3. Equipment Location

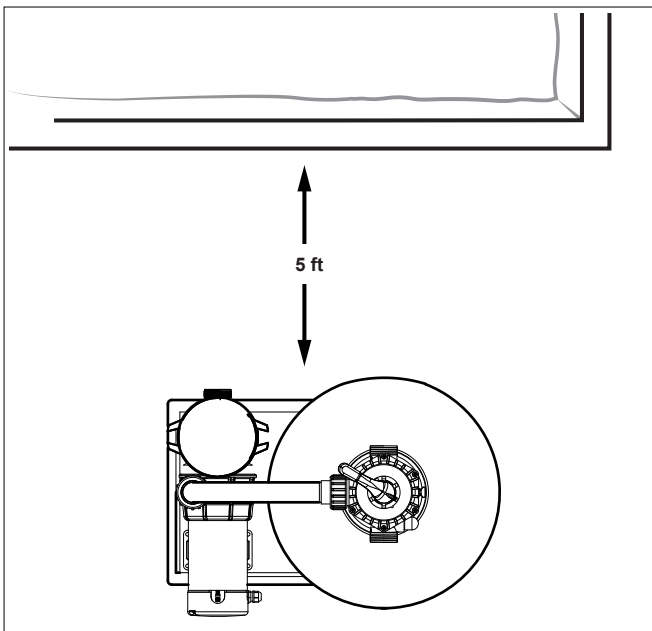
All pool water recirculation system components need to be installed in accordance with the standards and instructions in effect in your county or municipality. Utmost care must be taken to ensure that the equipment is located such that it is able to be safely operated and maintained.

### 3.1 Equipment Pad

The filter along with the other primary components of your pool water recirculation system should be installed on a level, prepared footing, which is capable of supporting the weight of the filter (see Section 4.3 Table 1) and which will accommodate the use of anchoring bolts to secure the equipment in place. A solid level surface needs to be used but concrete is not required. Check local building codes for any additional requirements.

If possible the equipment pad area should be:

- Dry.
- Well ventilated.
- Supplied with sufficient drainage.
- Out of direct sunlight.
- Located away from eaves or overhangs where rain gutters are not installed.
- Away from overhanging trees or other foliage that may produce waste or debris of any kind that could clog, block or otherwise disrupt the regular operation and maintenance of the equipment.
- As close to the primary body of water as possible. Additional pipe length reduces efficiency due to pipe friction.
- Position the filter a minimum of 5 ft (1.5 m) from the pool or separated by a permanent barrier. Position the filter and all components of the filtration system so they can NOT be used as a means of access to the pool by young children.



### 3.2 Filter Location

On the equipment pad, the filter should be positioned so that it is:

- At least 5 feet away from any electrical controls or inputs, except for GFCI-protected grounding-type receptacle supplying pool pump motor located at least 6 ft from inside wall of pool, 3m (10 feet) in Canada.
- In line with other equipment in order to minimize turns in plumbing which can result in diminished efficiency.
- Stationary and not subject to movement.
- Equipment must be installed on a firm, solid, non-absorbent level surface; and per the requirements of local codes and Authority Having Jurisdiction (AHJ). Equipment can weigh up to 325 lbs. Use suitably rated mounting surface materials to avoid risk of settlement, and never use sand to level the equipment as the sand will wash away. Check local building codes for additional requirements.
- Position the filter a minimum of 5 ft (1.5 m) from the pool or separated by a permanent barrier. Position the filter and all components of the filtration system so they can NOT be used as a means of access to the pool by young children.

## Section 4. Initial Setup

### 4.1 System Pack Installation

#### 4.1.1 Install Filter

1. Position the tank on the base so that the drain assembly is accessible, not facing the pool and will not drain on the pump.
2. Align filter feet in base as shown. Rotate 1/4 counterclockwise.

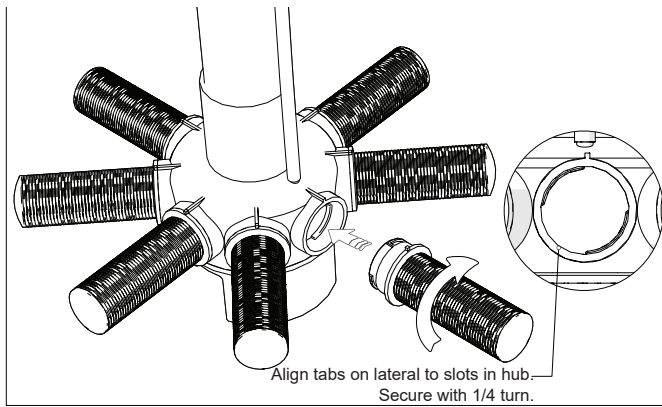
**NOTE:** Filter tank may have movement on the base until sand is placed inside the tank.

### 4.2 Install Hub and Laterals

1. Inspect the laterals and lateral hub assembly for damage or debris. Replace or clean where needed. Reach into filter tank and install the remaining
2. Attach the breather tube to the lateral hub.
3. Bring the hub over the tank opening.
4. Align and connect one of the eight (8) laterals to the hub. Turn ¼ clockwise to click into place.
5. Tilt the hub with the attached lateral and insert into the tank.

**NOTE:** Place the breather tube head over the edge of the tank opening.

6. Connect the remaining seven (7) laterals to the hub inside of the tank. Do not overtighten.



### 4.3 Fill With Sand

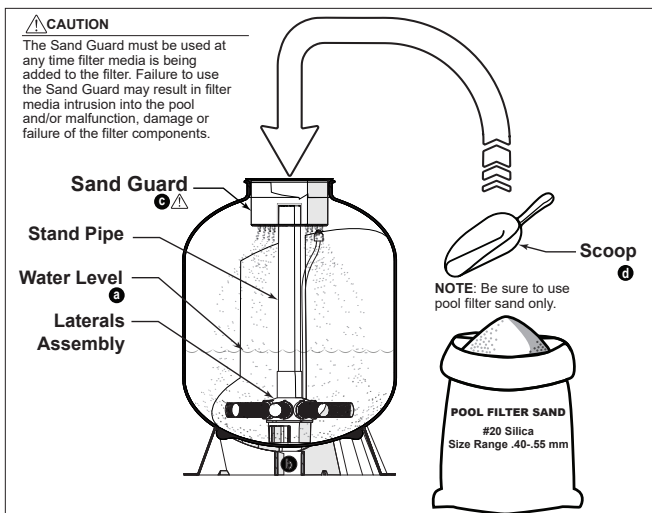
The proper type, amount and cleanliness of your filter sand is critical to the proper function and longevity of your equipment.

#20 Silica Sand (for pool filter use only) Size Range .40 - .55 mm		NOTE: Alternate Filter Media
Model	Lbs. (kg)	Manufacturers directions must be followed for any alternate media. Use of other media may deliver unexpected results and may void the warranty.
PAG19SF	150lbs (68kg)	
PAG22SF	250lbs (113kg)	

1. Make sure the filter is level on the equipment pad.

**NOTE:** Move the breather tube inside the tank on top of the sand surface.

2. Prepare filter for sand.
  - a Fill the filter 1/3 - 1/2 full of water before adding sand.
    - This will minimize any undue strain on the laterals when adding sand.
  - b Ensure stand pipe is seated at the bottom of the filter tank.
  - c Install the sand guard.
    - The sand guard should completely cover the pipe opening.
    - Special care should be taken to avoid getting filter sand into the stand pipe.
  - d Using a small scoop, slowly and evenly add sand to the filter.
    - Be sure to allow the sand guard to fully drain between each scoop to avoid spilling.

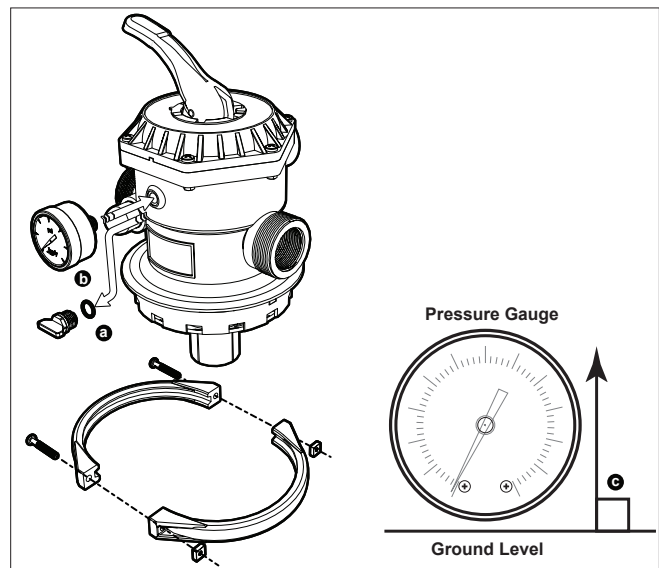


When all filter sand has been added:

3. Remove sand guard and store for future use.

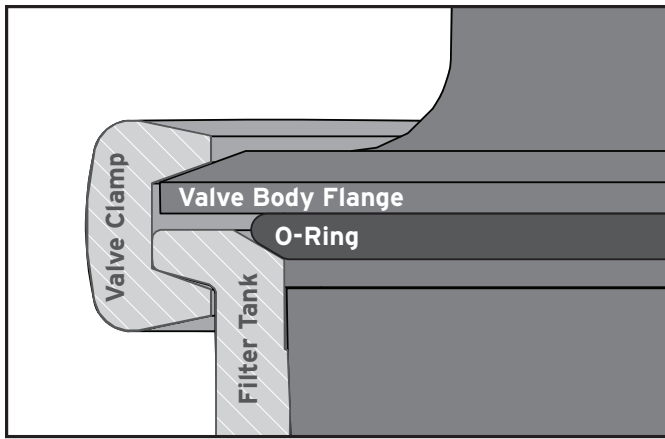
### 4.4 Assemble Multi-port Valve

1. Install pressure gauge.
  - a Remove the plug from the pressure gauge port.
  - b Install pressure gauge.
    - Screw into place until snug. DO NOT OVERTIGHTEN.
    - If possible, orient the gauge so that it is horizontally aligned. The included Teflon® tape can be used to aid in getting the appropriate orientation and fit.
  - c If possible, orient the gauge so that it is right reading and perpendicular to ground level.
    - Apply 4-6 wraps of PTFE (plumbers) tape for each union adapter installed at the multi-port valve. Only install PTFE (plumbers) tape on the adapter threads at the valve ports.
    - Do not use PTFE (plumbers) tape on union nut threads.

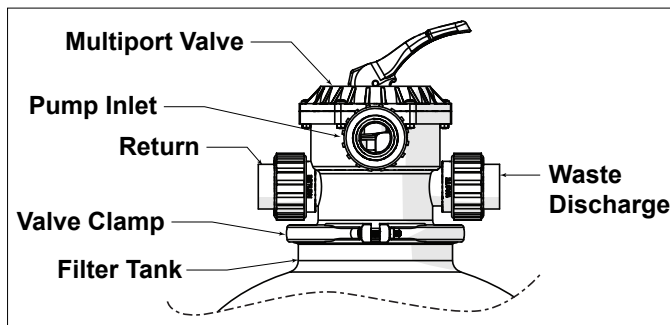


### 4.5 Install Multi-port Valve

1. Flip the valve assembly upside down. Install the valve/tank O-ring so that it is seated below the valve body flange.
2. Seat valve onto filter tank with standpipe secured in center port of the multi-port valve body.
3. Make sure pump and return ports are oriented so that bends and/or joints in plumbing are minimized.
4. Position the valve clamp so that it captures both the valve body flange and the filter tank.



5. Position multi-port valve clamp so that the bolts will be accessible after the filter has been plumbed.
6. Use a Phillips head screw driver to secure the clamp.
7. Alternate tightening of the valve clamp from side to side.
8. Do not overtighten clamp.



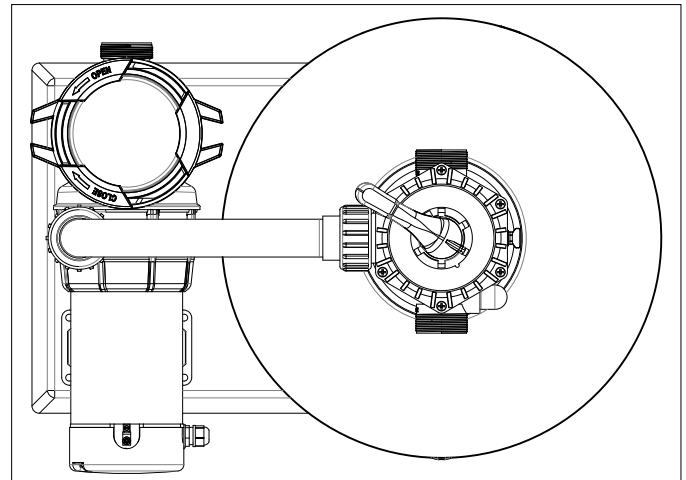
#### 4.6 Plumbing

### ⚠ WARNING

PVC cement and primer can produce vapors that can be hazardous to your health. Use PVC cement to join pipes only in a well ventilated area where vapors cannot accumulate.

Pipe dope should NEVER be used on plastic threads. Pipe dope will severely weaken the plastic, causing leakage and may cause the plastic to fracture. DO NOT OVERTIGHTEN.

Make sure all plumbing connections are in accordance with local plumbing and building codes.



1. Using appropriate pipe adhesive, connect the filter to the pool water recirculation system.
2. Plumb the pump discharge line to the Pump Port on the Multi-port Valve.
3. Plumb the return line to the Return Port on the Multi-port Valve.
4. Plumb the waste line to the Waste Port on the Multi-port Valve.
5. Connect the pipes using the unions supplied with the filter. Do not use PTFE (plumbers) tape or pipe dope on any union nuts. Assemble the unions dry and hand tighten.
6. Piping adapters are sized for 1.1/2" PVC pipe.

## Section 5. Operation

This filter operates under pressure. When clamped properly and operated without air in the water system, this filter will operate in a safe manner. All plumbing connections should be in accordance with local plumbing and building codes. **Do not use pipe joint compound, glue or solvent on the union nut threads.**

### 5.1 Filter Valve Functions

**Filter pump must be turned off prior to making any adjustments to the multiport valve.** When starting the pump after making adjustments to the valve be sure to stand clear of the filter. Ensure that all provisions for waste water disposal meet local, state or national codes.

Set Valve Handle to:

- **FILTER:** Water passes through filter sand and returns back to the pool. Set for Normal filtration operation. Multiport Valve should be in this position for all typical filtration and sanitation circulation.
- **WASTE:** Water bypasses filter sand and is routed to waste port.
- **RECIRCULATE:** Water bypasses filter sand and is returned to the pool.

- **CLOSED:** Closes all passages through the Multiport Valve.
- **WINTER:** This valve position leaves the multiport valve handle disengaged and all passages through the valve open for draining. Once the filter is drained, it is recommended that the valve handle be kept in the Winter position. See winterization instructions in section 5.6
- **BACKWASH:** Water passes through filter sand in reverse and is sent to the waste port. With pump running, periodically check water clarity in sight glass. Once water is visibly clear, the backwash cycle is complete.
- **RINSE:** Water passes through filter sand to waste. Use after backwash cycle to clean debris from the Multiport Valve. Rinse should run for 1-2 minutes.

## 5.2 Initial Start up

1. Make sure that all connections are secure and that any glued piping connections or joints have had sufficient time to cure.
2. Backwash filter sand.
  - Set multiport valve to backwash.
3. Turn on filter pump.
  - Water will discharge from waste port.
  - While pump is running, periodically check the water clarity through the sight glass or at the waste port.
  - Once water is visibly clear the backwash cycle is complete.
4. Turn off filter pump.
5. Set valve to rinse.
6. Stand clear of filter and turn on the filter pump.
  - Water will discharge from waste port.
7. Allow filter to run for 1-2 minutes.
8. Turn off filter pump.
9. Set multiport valve to filter.
10. Stand clear of filter.
11. Turn on filter pump and allow it to run normally.
  - Water will discharge to pool from return port.
  - Take the pressure reading from the pressure gauge while the filter pump is running at its typical filtration RPM.
  - Record the PSI on the pressure gauge, this is the initial startup pressure and the filter is clean. A backwash is required when the pressure consistently reads 10 PSI greater than the initial startup pressure.

## 5.3 Operating Pressure

### WARNING



**MAXIMUM OPERATING PRESSURE OF THE FILTER IS 35 PSI. NEVER SUBJECT THE FILTER TO ANY OPERATING PRESSURE EXCEEDING 35 PSI**

- Do not connect the system to an unregulated city water system or other external source of pressurized water producing pressures greater than 35 PSI.
- This filter operates under high pressure. When any part of the circulating system, i.e., filter, pump, valve(s), etc. is serviced, air can enter the system and become pressurized when the system is restarted.
- Pressurized air in a system can cause product failure or also cause the dial valve to be blown off which can result in death, serious personal injury or property damage.
- To minimize risk of severe injury or death, the filter and/or pump should not be subjected to the piping pressurization test. Local codes may require the pool piping system to be subjected to a pressure test. These requirements are generally not intended to apply to the pool equipment such as filters or pumps. Polaris pool equipment is pressure tested at the factory.

If however, this **WARNING** cannot be followed and pressure testing of the piping system must include the filter and/or pump **BE SURE TO COMPLY WITH THE FOLLOWING SAFETY INSTRUCTIONS.**

- Check all clamps, bolts, lids, lock rings and system accessories to ensure they are properly installed and secured before testing.
- **RELEASE ALL AIR** in the system before testing.
- Water pressure for test must **NOT EXCEED 35 PSI**
- Water temperature for test must **NOT EXCEED 100°F (38°C)**.
- Limit test to 24 hours. After test, visually check system to be sure it is ready for operation.

**NOTE:** These parameters apply only to Polaris equipment. For non-Polaris equipment, consult the equipment manufacturer.

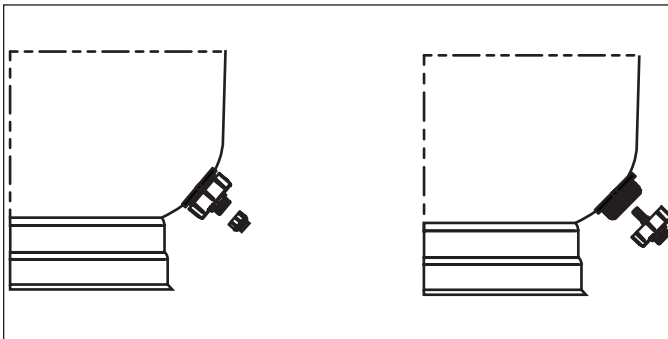
The filter is designed to operate effectively based on the performance curve listed below. At no time is the filter to be subjected to internal pressures greater than 35 psi.

1. After initial startup run the filter pump for several minutes.
2. Take note of the running pressure and record the initial startup pressure reading.
3. Check the operating pressure regularly at least once a week.
4. Performing a backwash procedure is required once the pressure consistently reads 10 PSI greater than the initial startup pressure, DO NOT EXCEED 35 PSI.
5. Follow backwash and rinse procedure.
6. If after backwashing the filter you are unable to get the pressure to lower sufficiently to ensure operational pressures below 35 PSI you will need to replace the filter sand.

#### 5.4 Changing the Filter Sand

Filter sand will need to be removed from the multi-port valve opening.

1. Loosen bolts from clamp.
2. Remove clamp.
3. Remove Multiport Valve.
4. Use a wet/dry vacuum or similar suction device to vacuum old sand from filter tank.
5. To protect the laterals, the sand around the laterals can be emptied using the bottom drain plug.



6. Keep enough water in filter tank to keep sand in a semi fluid "slurry" state
7. Replace the sand in the filter (See Section 4.3).

**NOTE:** Sand should be replaced every 3-5 years.

## ⚠ WARNING

Be sure to dispose of used filter sand appropriately. Used filter sand is not appropriate for human or pet contact.

#### 5.5 Winterizing

Turn off the pump.

1. Turn off the filter pump.
2. Change Multi-port Valve to recirculate.
3. Blow out all plumbing lines.
4. Vent the filter by removing the pressure gauge or disconnecting one of the unions.
5. Remove drain plugs from the filter pump and filter to drain.
6. Change Multi-port Valve position to "Winter."
7. Cover the system with a tarp or plastic sheet to protect from weather.

## Section 6. Specifications

Model	Diameter	Filtration Area	Filtration Sand (0.4 - 0.55 mm #20 silica)	Flow Rates	Maximum Working Pressure	Maximum Temp.
PAG19SF	19 in (485 mm)	1.90 ft <sup>2</sup> (0.176 m <sup>2</sup> )	150 lbs (68 kg)	40 gpm (9.10 m <sup>3</sup> /h)	35 psi (2.4 bar)	104°F (40°C)
PAG22SF	22 in (559 mm)	2.69 ft <sup>2</sup> (0.250 m <sup>2</sup> )	250 lbs (113 kg)	53 gpm (12.10 m <sup>3</sup> /h)		

# NOTES

© 2021 Zodiac Pool Systems LLC. All rights reserved. Polaris® and the 3-wheeled cleaner design are registered trademarks of Zodiac Pool Systems LLC. All other trademarks referenced are the property of their respective owners.

© 2021 Zodiac Pool Systems LLC. Todos los derechos reservados. Polaris® y el diseño de limpiafondos de tres ruedas son marcas registradas de Zodiac Pool Systems LLC. Las demás marcas mencionadas en esta guía son propiedad de sus respectivos propietarios.

© 2021 Zodiac Pool Systems LLC. Tous droits réservés. Polaris® et la conception de nettoyeur à 3 roues sont des marques déposées de Zodiac Pool Systems LLC. Toutes les autres marques de commerce citées dans le présent document appartiennent à leurs propriétaires respectifs.

**Zodiac Pool Systems LLC**

2882 Whiptail Loop # 100  
Carlsbad, CA 92010  
1.800.822.7933  
polarispool.com

**Zodiac Pool Systems Canada, Inc.**

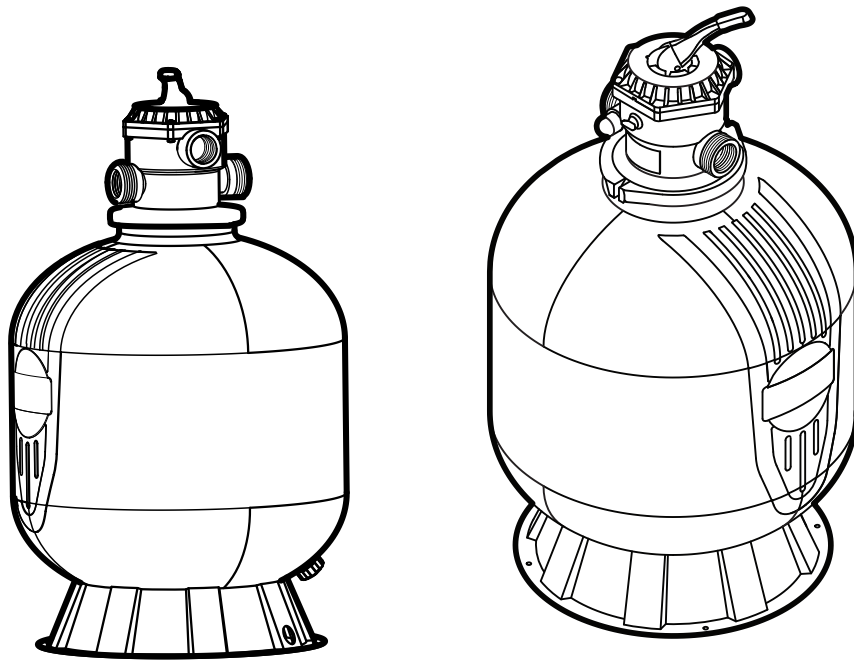
2-3365 Mainway, Burlington,  
ON L7M 1A6  
1.800.822.7933  
polarispool.ca

H0752500\_REVB





# PRESTIGE



## Filtre à sable hors sol PAG19SF, PAG22SF

### Manuel du propriétaire FRANÇAIS

#### AVERTISSEMENT

POUR VOTRE SÉCURITÉ, ce produit doit être installé et entretenu par un entrepreneur qualifié en équipements de piscine disposant d'un permis délivré par la juridiction dans laquelle le produit est installé lorsque de telles exigences étatiques ou locales existent. L'agent d'entretien doit être un professionnel disposant de suffisamment d'expérience dans l'installation et l'entretien de l'équipement de piscine, afin de s'assurer que toutes les directives du présent manuel sont scrupuleusement respectées. Une installation et/ou une utilisation incorrectes peuvent créer une pression élevée dangereuse susceptible de provoquer une défaillance catastrophique du produit et/ou de provoquer le soufflage du couvercle de la soupape à voies multiples pouvant entraîner des dommages matériels, des blessures graves ou la mort.

NE PAS MODIFIER CET ÉQUIPEMENT.

Avant d'installer ce produit, lire et suivre tous les avertissements et toutes les directives qui accompagnent ce produit. Dans le cas contraire, des dommages matériels ou des blessures graves, voire mortelles, peuvent survenir. Consulter le service client de Polaris au 1-800-822-7933 pour obtenir de l'aide. Une mauvaise installation ou utilisation annule la garantie.



## Table des matières

<b>Section 1. Consignes de sécurité importantes .....</b>	<b>15</b>
<b>Section 2. Contenu de l'emballage.....</b>	<b>16</b>
2.1 Contenu .....	16
2.2 Outils/Équipement requis.....	16
<b>Section 3. Emplacement de l'équipement .....</b>	<b>17</b>
3.1 Socle de l'équipement .....	17
3.2 Emplacement du filtre .....	17
<b>Section 4. Configuration initiale .....</b>	<b>17</b>
4.1 Installation de l'ensemble du système .....	17
4.2 Installation du moyeu et des branchements .....	17
4.3 Remplir de sable.....	18
4.4 Assemblage de la soupape à voies multiples.....	18
4.5 Installation de la soupape à voies multiples .....	18
4.6 Tuyauterie .....	19
<b>Section 5. Fonctionnement.....</b>	<b>19</b>
5.1 Fonctions de la soupape du filtre .....	19
5.2 Démarrage initial.....	20
5.3 Pression de fonctionnement .....	20
5.4 Remplacement du sable filtrant .....	21
5.5 Hivernage .....	21
<b>Section 6. Spécifications.....</b>	<b>22</b>

### ENREGISTREMENT DES INFORMATIONS SUR L'ÉQUIPEMENT

DATE DE L'INSTALLATION \_\_\_\_\_

COORDONNÉES DE L'INSTALLATEUR \_\_\_\_\_

PREMIÈRE LECTURE DU MANOMÈTRE (AVEC FILTRE PROPRE) \_\_\_\_\_

MODÈLE DE LA POMPE \_\_\_\_\_ HP \_\_\_\_\_

REMARQUES : \_\_\_\_\_  
 \_\_\_\_\_  
 \_\_\_\_\_

## Section 1. Consignes de sécurité importantes

### LIRE ET SUIVRE TOUTES LES DIRECTIVES

#### AVERTISSEMENT



**LA PRESSION DE FONCTIONNEMENT MAXIMALE DU FILTRE EST DE 3,45 BAR (35 lb-po<sup>2</sup>). NE JAMAIS SOUMETTRE LE FILTRE À UNE PRESSION DE FONCTIONNEMENT SUPÉRIEURE À 3,45 BAR (35 lb-po<sup>2</sup>)**

- Ne pas raccorder le système à un réseau municipal d'approvisionnement en eau non régulé ni à aucune autre source externe d'eau sous pression produisant des pressions supérieures à 2,41 BAR (35 lb-po<sup>2</sup>).
- Ce filtre fonctionne sous haute pression. Lors de l'entretien d'une quelconque partie du système de circulation, à savoir, un filtre, une pompe, une vanne, etc., de l'air peut pénétrer dans le système et devenir pressurisé au redémarrage du système.
- La présence d'air sous pression dans un système peut provoquer une panne ou le soufflage de la vanne à actionneur ce qui peut entraîner des dommages matériels, des blessures graves ou la mort.
- Pour réduire le risque de blessures graves ou de mort, le filtre et/ou la pompe ne doivent pas être soumis à un test de pressurisation de la tuyauterie. Les codes locaux peuvent exiger l'application d'un test de mise sous pression au niveau de la tuyauterie de la piscine. Généralement, ces exigences ne sont pas conçues pour être appliquées à l'équipement de piscine, comme les filtres ou les pompes. L'équipement de piscine Polaris est soumis à des tests de mise sous pression en usine.

Si toutefois cet **AVERTISSEMENT** ne peut pas être respecté et que le test de mise sous pression du système de tuyauterie doit inclure le filtre et/ou la pompe, **S'ASSURER DE RESPECTER LES CONSIGNES DE SÉCURITÉ SUIVANTES.**

- Vérifier les serre-joints, les boulons, les couvercles, les dispositifs de verrouillage et les accessoires du système pour s'assurer qu'ils sont correctement installés et solidement fixés avant d'effectuer un test.
- LIBÉRER TOUT L'AIR présent dans le système avant le test.
- La pression de l'eau pendant le test **NE DOIT PAS DÉPASSER 2,41 BAR (35 lb-po<sup>2</sup>).**
- La température de l'eau pendant le test **NE DOIT PAS DÉPASSER 38 °C (100 °F).**
- Limiter la durée du test à 24 heures. Après le test, vérifier visuellement le système pour s'assurer qu'il est prêt à fonctionner.

**AVIS :** Ces paramètres s'appliquent uniquement à l'équipement Polaris. Pour tout équipement d'une autre marque que Polaris, consulter le fabricant.

Pour éviter tout risque de choc électrique pouvant entraîner des blessures graves ou la mort :

- S'assurer que tous les dispositifs électriques du système sont éteints avant d'approcher, d'inspecter ou de dépanner des vannes ou des tuyaux qui pourraient avoir projeté de l'eau sur d'autres appareils électriques aux alentours.
- L'eau évacuée d'un filtre ou d'une vanne mal positionné(e) peut créer un risque de choc électrique pouvant entraîner des dommages matériels, des blessures graves ou la mort.
- Une mauvaise installation de la vanne à actionneur peut causer une défaillance du produit ou provoquer le soufflage de l'actionneur du filtre, ce qui peut entraîner des dommages matériels, des blessures graves ou la mort.
- Ne jamais essayer de régler ou de retirer la vanne à actionneur lorsque la pompe est en marche ou que le système est sous pression. Cela peut provoquer une panne du produit ou le soufflage de l'actionneur du filtre, ce qui peut entraîner des dommages matériels, des blessures graves ou la mort.

#### MISE EN GARDE

- Maintenir le manomètre en bon état de fonctionnement. Le manomètre est le principal indicateur de l'état de fonctionnement du filtre.
- La création d'importants niveaux de vide peut provoquer des fissures et des fuites dans le réservoir, ce qui peut entraîner des dommages matériels.
- S'assurer que toutes les dispositions relatives à l'élimination des eaux usées respectent les codes locaux, provinciaux ou nationaux. Pendant toute procédure de rétrolavage ou de vidange, 380 litres (100 gallons) d'eau minimum seront évacués. Ne pas évacuer l'eau dans des endroits où elle risque de causer des inondations ou des dommages.
- Pour éviter d'endommager les embranchements (ailettes), ajouter lentement le matériau de filtration jusqu'à en recouvrir entièrement les embranchements. Consulter le Manuel d'installation et de fonctionnement pour des instructions complètes sur le remplissage de sable. Des embranchements fissurés ou brisés entraîneront un déversement de sable dans la piscine.



À l'attention de l'installateur : le présent manuel contient d'importantes informations sur l'installation, le fonctionnement et l'utilisation sécuritaires de ce produit. Ces informations doivent être transmises au propriétaire ou à l'utilisateur de cet équipement.

### CONSERVER CES DIRECTIVES

## Section 2. Contenu de l'emballage







### 2.1 Contenu

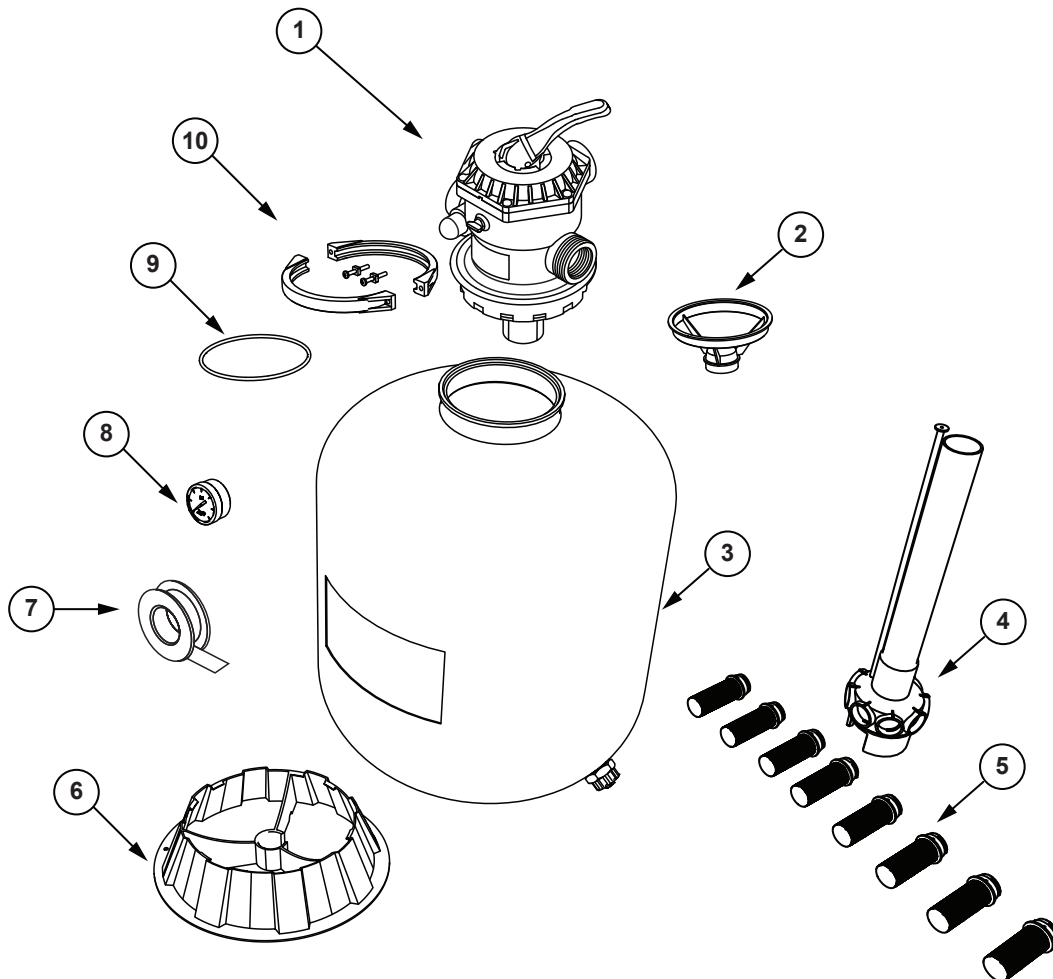
Déballer et vérifier le contenu. Si une pièce manque ou est endommagée, contacter le Service client au 1-800-822-7933.

ARTICLE	DESCRIPTION	QTÉ
1	Soupape à voies multiples	1
2	Protection contre le sable	1
3	Réservoir de filtre	1
4	Assemblage moyeu latéral	1
5	Embranchements	8
6	Socle	1
7	Ruban PTFE	1
8	Manomètre	3
9	Joint torique de la vanne	3
10	Bras de serrage	2
	Boulon de retenue	2
	Noix de saisie	2

### 2.2 Outils/Équipement requis

Les équipements suivants devront être mis à disposition de l'installateur au moment de l'installation. Le fait de ne pas utiliser les équipements de sécurité et les installations appropriés pourrait entraîner des blessures ou des dommages matériels.

	Lunettes de sécurité		Niveau
	Pelle		Pince multiprise
	Gants		Tournevis cruciforme



## Section 3. Emplacement de l'équipement

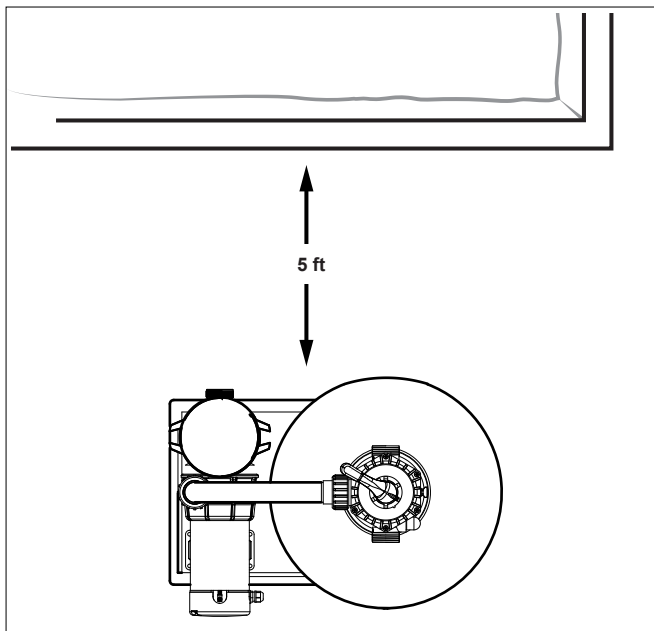
Tous les composants du système de recirculation d'eau de la piscine doivent être installés conformément aux normes et aux instructions en vigueur dans votre comté ou votre municipalité. Le plus grand soin doit être pris pour s'assurer que l'équipement est positionné de manière à en permettre l'utilisation et l'entretien en toute sécurité.

### 3.1 Socle de l'équipement

Le filtre ainsi que les autres composants principaux du système de recirculation d'eau de votre piscine doivent être installés sur une base plane et préparée, capable de supporter le poids du filtre (se rapporter à Section 4.3 Tableau 1) et pouvant accueillir des boulons d'ancrage pour fixer l'équipement en place. Il faut utiliser une surface de niveau solide, toutefois le béton n'est pas un critère. Vérifier s'il existe d'autres exigences quelconque dans les codes locaux de construction.

Si possible, la zone autour du socle de l'équipement doit être :

- Sèche.
- Bien ventilée.
- Aménagée avec un drainage suffisant.
- À l'abri de la lumière directe du soleil.
- À l'écart des avant-toits ou surplombs ne disposant pas d'une gouttière.
- À l'écart des arbres ou autres feuillages en surplomb susceptibles de produire des déchets ou débris de toute sorte qui pourraient obstruer, bloquer ou perturber le fonctionnement et l'entretien réguliers de l'équipement.
- Aussi proche de la principale étendue d'eau que possible. Toute longueur de tuyau supplémentaire réduit l'efficacité du système en raison de la friction interne.
- Placer le filtre à au moins 1,5 m (5 pi) de la piscine ou séparé par une cloison permanente. Placer le filtre et tous les composants du système de filtration de manière à ce qu'ils ne puissent servir d'accès à la piscine pour les jeunes enfants.



### 3.2 Emplacement du filtre

Sur le socle de l'équipement, le filtre doit être positionné de façon à :

- Être à au moins 1,5 m (5 pi) des contrôles ou des entrées électriques, sauf pour la prise à DDFT alimentant le moteur de la pompe de la piscine se trouvant à au moins 1,8 m (6 pi) de la paroi intérieure de la piscine; 3 m (10 pi) au Canada.
- Être aligné avec les autres équipements afin de minimiser le nombre de coudes dans le circuit de plomberie, susceptibles de réduire l'efficacité du circuit.
- Rester stationnaire sans être soumis à de quelconques mouvements.
- L'équipement doit être installé sur une surface ferme, solide, de niveau et non absorbante; et conformément aux exigences des codes locaux et l'autorité compétente. L'équipement peut peser jusqu'à 325 lb. Utiliser des matériaux de surface de montage adaptés afin d'éviter les risques d'affaissement du sol, et ne jamais utilise de sable pour mettre l'équipement à niveau étant donné que l'eau évacuera le sable. Vérifier s'il existe d'autres exigences dans les codes locaux de construction.
- Placer le filtre à au moins 1,5 m (5 pi) de la piscine ou séparé par une cloison permanente. Placer le filtre et tous les composants du système de filtration de manière à ce qu'ils ne puissent servir d'accès à la piscine pour les jeunes enfants.

## Section 4. Configuration initiale

### 4.1 Installation de l'ensemble du système

#### 4.1.1 Installation du filtre

1. Placer le réservoir sur le socle de façon à ce que le drain soit accessible, ne fait pas face à la piscine et ne se videra pas sur la pompe.
2. Aligner les pieds du filtre dans le socle comme illustré. Tourner 1/4 de tour dans le sens antihoraire.

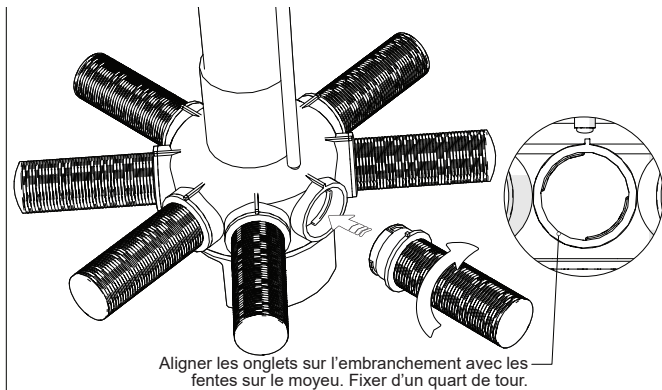
**REMARQUE :** Le réservoir de filtre peut bouger sur le socle tant qu'il n'y a pas de sable dedans.

#### 4.2 Installation du moyeu et des branchements

1. Inspecter l'état de l'ensemble du moyeu latéral et des branchements. Remplacer ou nettoyer au besoin. Installer le restant dans le réservoir de filtre
2. Fixer le renifleur au moyeu latéral.
3. Passer le moyeu par dessus l'ouverture du réservoir.
4. Aligner et connecter un des huit (8) branchements au moyeu. Tourner 1/4 de tour dans le sens horaire jusqu'à ce qu'il soit en place.
5. Basculer le moyeu avec le branchement fixé et insérer dans le réservoir.

**REMARQUE :** Placer la tête du renifleur par dessus le bord de l'ouverture du réservoir.

6. Connecter les autres sept (7) branchements au moyeu dans le réservoir. Ne pas trop serrer.



### 4.3 Remplir de sable

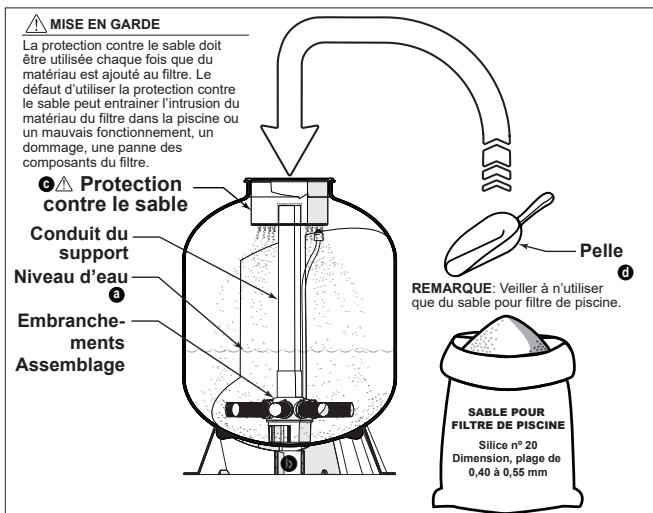
Le bon type, quantité et propreté de votre sable filtrant sont importants pour le bon fonctionnement et la longévité de votre équipement.

Sable de silice n° 20 (pour filtre de piscine seulement) Plage de dimension 0,40 à 0,55 mm		REMARQUE : Support du filtre de recharge
Modèle	lb (kg)	Il faut suivre les directives des fabricants pour tout support de recharge. L'utilisation d'autre support peut offrir des résultats imprévus et annuler la garantie.
PAG19SF	150 lb (68 kg)	
PAG22SF	250 lb (113 kg)	

1. S'assurer que le filtre est de niveau sur le socle de l'équipement.

**REMARQUE:** Déplacer le renifleur à l'intérieur du réservoir sur le dessus de la surface du sable.

2. Préparer le filtre pour le sable.
  - a Remplir le filtre à 1/3 voir 1/2 d'eau avant d'ajouter le sable.
    - Ceci réduira toute tension excessive sur les branchements après l'ajout du sable.
  - b S'assurer que le conduit du support repose au fond du réservoir de filtre.
  - c Installer la protection contre le sable.
    - La protection contre le sable doit couvrir complètement l'ouverture du conduit.
    - Un soin spécial doit être pris pour éviter que le sable filtrant ne pénètre dans le conduit du support.
  - d En utilisant une petite pelle, ajouter lentement et de manière uniforme le sable au filtre.
    - Veiller à laisser la protection contre le sable évacuer complètement chaque pelletée pour éviter d'en renverser.

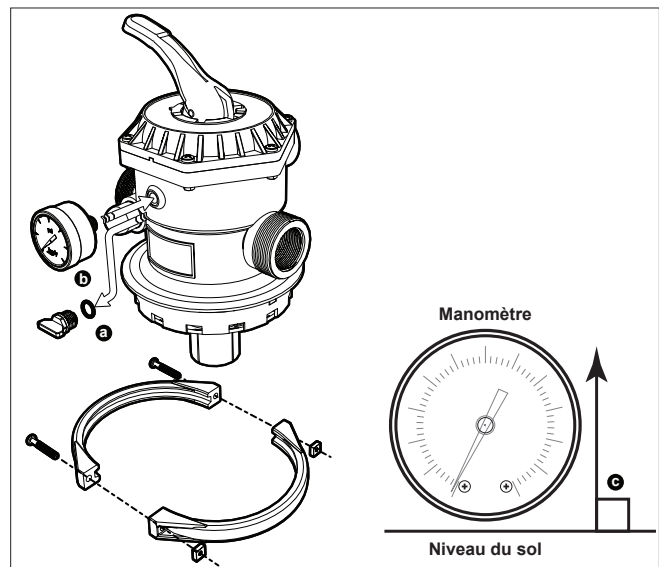


Lorsque tout le sable filtrant a été ajouté :

3. Retirer la protection contre le sable et la ranger pour une utilisation ultérieure.

### 4.4 Assemblage de la soupape à voies multiples

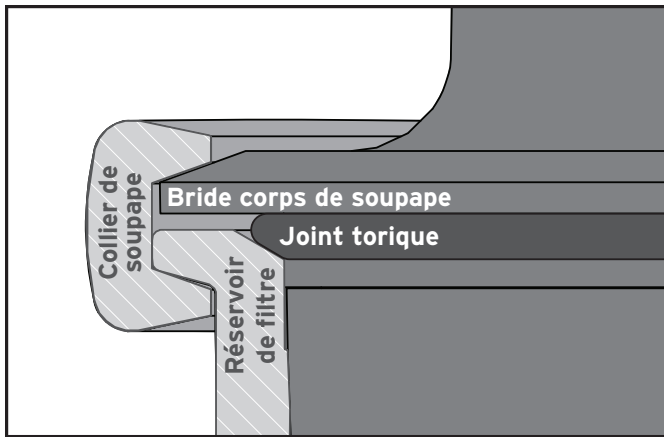
1. Installer le manomètre.
  - a Retirer le bouchon du port du manomètre.
  - b Installer le manomètre.
    - Visser jusqu'à ce qu'il soit bien en place. NE PAS TROP SERRER.
    - Dans la mesure du possible, orienter le manomètre afin de l'aligner horizontalement. Le ruban Téflon® inclus peut servir pour obtenir une bonne orientation et ajustement.
  - c Si possible, orienter le manomètre pour une lecture à droite et perpendiculaire au sol.
- Poser 4 à 6 brides de ruban PTFE (plomberie) pour chaque adaptateur de raccord installé à la soupape à voies multiples. N'utiliser que du ruban PTFE (plomberie) sur les filets de l'adaptateur sur les voies de soupape.
- Ne pas utiliser de ruban PTFE (plomberie) sur les filets des écrous-raccords.



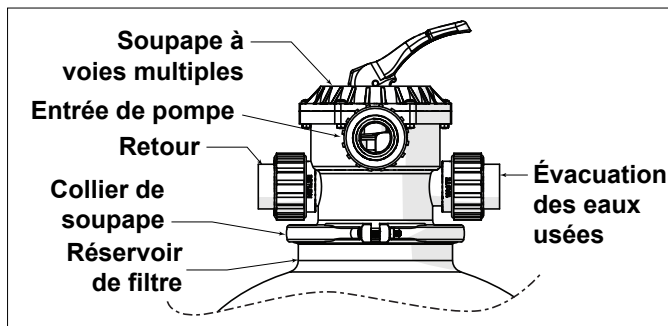
### 4.5 Installation de la soupape à voies multiples

1. Retourner l'ensemble de la soupape à l'envers. Installer le joint torique de la soupape/du réservoir de manière à ce qu'il repose sous la bride du corps de la soupape.
2. Placer la soupape sur le réservoir du filtre avec la colonne montante fixée dans l'orifice central du corps de la soupape à voies multiples.
3. S'assurer que la pompe et les orifices de retour sont orientés de manière à minimiser les coudes et/ou les joints dans la plomberie.
4. Positionner le collier de la soupape de manière à ce qu'il capture à la fois la bride du corps de la soupape et le réservoir du filtre.





5. Positionner le collier de la soupape à voies multiples de manière à ce que les boulons soient accessibles après la plomberie du filtre.
6. Utiliser un tournevis cruciforme pour fixer le collier.
7. Serrage alterné du collier de soupape d'un côté à l'autre.
8. Ne pas trop serrer le collier.



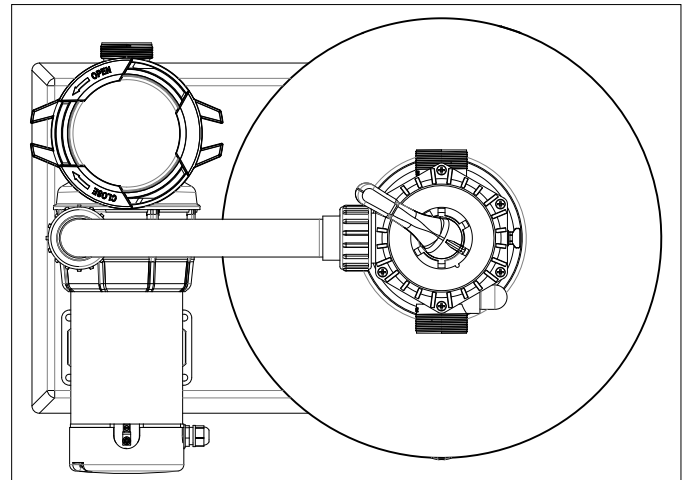
## 4.6 Tuyauterie

### ⚠ AVERTISSEMENT

Le ciment PVC et l'apprêt peuvent produire des vapeurs qui peuvent être dangereuses pour la santé. Utiliser du ciment PVC pour joindre les conduits uniquement dans un endroit bien ventilé où les vapeurs ne peuvent pas s'accumuler.

La pâte à conduit ne doit JAMAIS être utilisée sur les filetages en plastique. La pâte à conduit affaiblira gravement le plastique, provoquant des fuites et pouvant provoquer la rupture du plastique. **NE PAS TROP SERRER.**

Veiller à réaliser tous les raccords de tuyauterie en conformité avec les codes locaux de plomberie et de construction.



1. À l'aide d'un adhésif pour tuyau approprié, raccorder le filtre au système de recirculation de l'eau de la piscine.
2. Raccorder la conduite de refoulement de la pompe à l'orifice de la pompe sur la soupape à voies multiples.
3. Raccorder la conduite de retour à l'orifice de retour de la soupape à voies multiples.
4. Raccorder la conduite d'évacuation à l'orifice d'évacuation de la soupape à voies multiples.
5. Raccorder les tuyaux à l'aide des raccords fournis avec le filtre. Ne pas utiliser de ruban PTFE (plomberie) ni de pâte à joint pour tuyaux sur les écrous-raccords. Assembler les raccords à sec et serrer à la main.
6. Les adaptateurs de tuyauterie sont dimensionnés pour un tuyau en PVC de 1 1/2 po.

## Section 5. Fonctionnement

Ce filtre fonctionne sous pression. Lorsque correctement pincé et qu'il fonctionne sans présence d'air dans le circuit d'eau, le filtre fonctionne de manière sûre. Tous les raccords de tuyauterie doivent être exécutés en conformité avec les codes locaux de plomberie et de construction. **Ne pas utiliser de pâte à joint, de colle ou de solvant sur les filets des écrous-raccords.**

### 5.1 Fonctions de la soupape du filtre

**La pompe de filtration doit être arrêtée avant d'effectuer des réglages sur la soupape à voies multiples.** Lors du démarrage de la pompe après avoir effectué des réglages sur la vanne, s'assurer de se tenir à l'écart du filtre. S'assurer que toutes les dispositions relatives à l'élimination des eaux usées sont conformes aux codes locaux, provinciaux ou nationaux.

Régler la poignée de la soupape sur :

- **FILTRE** : L'eau traverse le sable filtrant et retourne dans la piscine. Régler pour le fonctionnement de filtration normal. La soupape à voies multiples doit être dans cette position pour toutes les circulations de filtration et d'assainissement typiques.
- **Eaux usées** : L'eau contourne le sable filtrant et est acheminée vers l'orifice d'évacuation.
- **RECIRCULER** : L'eau contourne le sable filtrant et retourne dans la piscine.

- **FERMÉ** : Ferme tous les passages traversant la soupape à voies multiples.
- **HIVER** : Cette position de la soupape laisse la poignée de la soupape à voies multiples désengagée et tous les passages traversant la soupape ouverts pour la vidange. Une fois le filtre vidangé, il est recommandé de maintenir la poignée de la soupape en position Hiver. Voir les instructions d'hivernage à la section 5.6
- **RÉTROLAVAGE** : L'eau traverse le sable filtrant à rebours et est envoyée vers l'orifice des eaux usées. Avec la pompe en marche, vérifier périodiquement la limpidité de l'eau dans le voyant. Une fois que l'eau est visiblement limpide, le cycle de lavage à contre-courant est terminé.
- **RINCER** : L'eau passe à travers le sable filtrant vers les eaux usées. À utiliser après le cycle de lavage à contre-courant pour nettoyer les débris de la soupape à voies multiples. Le rinçage doit durer 1 à 2 minutes.

## 5.2 Démarrage initial

1. S'assurer que toutes les connexions sont sécurisées et que tous les raccords ou joints de tuyauterie collés ont eu suffisamment de temps pour durcir.
2. Sable filtrant pour rétrolavage.
  - Régler la soupape à voies multiples sur rétrolavage.
3. Activer la pompe de filtration.
  - L'eau s'évacuera vers l'orifice des eaux usées.
  - Pendant que la pompe fonctionne, vérifier périodiquement la limpidité de l'eau à travers le voyant ou au niveau de l'orifice d'évacuation.
  - Une fois que l'eau est visiblement limpide, le cycle de lavage à contre-courant est terminé.
4. Désactiver la pompe de filtration.
5. Régler la soupape à rinçage.
6. Se tenir éloigné du filtre et activer la pompe de filtration.
  - L'eau s'évacuera vers l'orifice des eaux usées.
7. Laisser le filtre fonctionner pendant 1- 2 heures.
8. Désactiver la pompe de filtration.
9. Régler la soupape à voies multiples à filtration.
10. Se tenir éloigné du filtre.
11. Mettre la pompe de filtration en marche et la laisser fonctionner normalement.
  - L'eau se déversera dans la piscine depuis l'orifice de retour.
  - Prendre la lecture de la pression du manomètre pendant que la pompe de filtration fonctionne à son régime de filtration typique.
  - Enregistrer le lb-po<sup>2</sup> sur le manomètre, c'est la pression de démarrage initiale et le filtre est propre. Un rétrolavage est requis lorsque la pression est constamment supérieure de 10 lb-po<sup>2</sup> à la pression de démarrage initiale.

## 5.3 Pression de fonctionnement

### ⚠ AVERTISSEMENT



**LA PRESSION DE FONCTIONNEMENT MAXIMALE DU FILTRE EST DE 3,45 BAR (35 lb-po<sup>2</sup>). NE JAMAIS SOUMETTRE LE FILTRE À UNE PRESSION DE FONCTIONNEMENT SUPÉRIEURE À 3,45 BAR (35 lb-po<sup>2</sup>)**

- Ne pas raccorder le système à un réseau municipal d'approvisionnement en eau non régulé ni à aucune autre source externe d'eau sous pression produisant des pressions supérieures à 2,41 BAR (35 lb-po<sup>2</sup>).
- Ce filtre fonctionne sous haute pression. Lors de l'entretien d'une quelconque partie du système de circulation, à savoir, un filtre, une pompe, une vanne, etc., de l'air peut pénétrer dans le système et devenir pressurisé au redémarrage du système.
- La présence d'air sous pression dans un système peut provoquer une panne ou le soufflage de la vanne à actionneur ce qui peut entraîner des dommages matériels, des blessures graves ou la mort.
- Pour réduire le risque de blessures graves ou de mort, le filtre et/ou la pompe ne doivent pas être soumis à un test de pressurisation de la tuyauterie. Les codes locaux peuvent exiger l'application d'un test de mise sous pression au niveau de la tuyauterie de la piscine. Généralement, ces exigences ne sont pas conçues pour être appliquées à l'équipement de piscine, comme les filtres ou les pompes. L'équipement de piscine Polaris est soumis à des tests de mise sous pression en usine.

Si toutefois cet **AVERTISSEMENT** ne peut pas être respecté et que le test de mise sous pression du système de tuyauterie doit inclure le filtre et/ou la pompe, **S'ASSURER DE RESPECTER LES CONSIGNES DE SÉCURITÉ SUIVANTES.**

- Vérifier les serre-joints, les boulons, les couvercles, les anneaux de blocage et les accessoires du système pour s'assurer qu'ils sont correctement installés et fixés solidement avant d'effectuer un test.
- **LIBÉRER TOUT L'AIR** présent dans le système avant le test.
- La pression de l'eau pendant le test **NE DOIT PAS DÉPASSER 2,41 BAR (35 lb-po<sup>2</sup>)**
- La température de l'eau pendant le test **NE DOIT PAS DÉPASSER 38 °C (100 °F)**.
- Limiter la durée du test à 24 heures. Après le test, vérifier visuellement le système pour s'assurer qu'il est prêt à fonctionner.

**REMARQUE** : Ces paramètres s'appliquent uniquement à l'équipement Polaris. Pour tout équipement d'une autre marque que Polaris, consulter le fabricant.



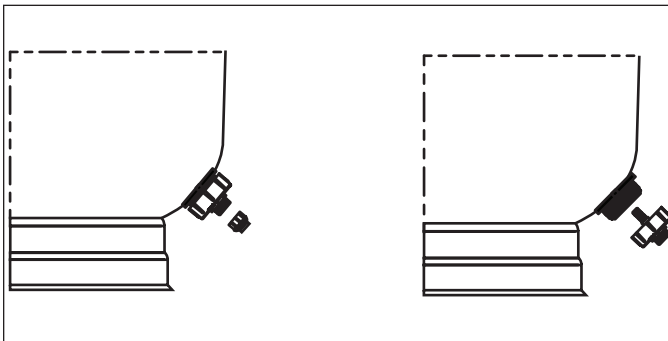
Le filtre est conçu pour fonctionner efficacement sur la base de la courbe de rendement indiquée ci-dessous. A aucun moment le filtre ne doit être soumis à des pressions internes supérieures à 35 lb-po<sup>2</sup>.

1. Après le démarrage initial, faire fonctionner la pompe de filtration pendant plusieurs minutes.
2. Prendre note de la pression de fonctionnement et enregistrer la lecture de la pression de démarrage initiale.
3. Vérifier régulièrement la pression de service au moins une fois par semaine.
4. L'exécution d'une procédure de lavage à contre-courant est requise une fois que la pression lit constamment 10 lb-po<sup>2</sup> de plus que la pression de démarrage initiale, NE PAS DÉPASSER 35 lb-po<sup>2</sup>
5. Suivre la procédure de rétrolavage et de rinçage.
6. Si, après le rétrolavage du filtre, si on parvient pas à réduire suffisamment la pression pour garantir des pressions de fonctionnement inférieures à 35 lb-po<sup>2</sup>, il faut remplacer le sable filtrant.

## 5.4 Remplacement du sable filtrant

Le sable filtrant devra être retiré de l'ouverture de la soupape à voies multiples.

1. Desserrer les boulons du collier.
2. Retirer le collier.
3. Retirer la soupape à voies multiples.
4. Utiliser un aspirateur sec/humide ou un dispositif d'aspiration similaire pour aspirer le vieux sable du réservoir du filtre.
5. Pour protéger les dérivation, le sable autour des dérivation peut être vidé à l'aide du bouchon de vidange inférieur.



6. Garder suffisamment d'eau dans le réservoir du filtre pour garder le sable dans un état semi-fluide, « boue ».
7. Remplacer le sable dans le filtre (se reporter à la section 4.3).

**REMARQUE :** Le sable doit être remplacé tous les 3 à 5 ans.

## AVERTISSEMENT

S'assurer de jeter le sable filtrant utilisé de manière appropriée. Le sable filtrant utilisé ne convient pour le contact avec les humains ou les animaux domestiques.

## 5.5 Hivernage

Arrêter la pompe.

1. Éteindre la pompe de filtration de la piscine.
2. Mettre la soupape à voies multiples sur recirculation.
3. Souffler toutes les conduites de la plomberie.
4. Purger le filtre en retirant le manomètre ou en débranchant l'un des raccords.
5. Retirer les bouchons de vidange de la pompe de filtration et du filtre pour vidanger.
6. Changer la position de la soupape à voies multiples sur « Hiver ».
7. Recouvrir le système d'une bâche ou d'une feuille de plastique pour le protéger des intempéries.

## Section 6. Spécifications

Modèle	Diamètre	Zone de filtration	Sable de filtration (Silice n° 20 - 0,4 à 0,55 mm)	Débits	Pression de service max.	Température maximale
PAG19SF	15,25 cm (19 po) (485 mm)	1,90 pi <sup>2</sup> (0,176 m <sup>2</sup> )	150 lb (68 kg)	40 gal/min (9,10 m <sup>3</sup> /h)	35 lb-po <sup>2</sup> (2,4 bar)	104 °F (40 °C)
PAG22SF	22 po (559 mm)	2,69 pi <sup>2</sup> (0,250 m <sup>2</sup> )	250 lb (113 kg)	53 gal/min (12,10 m <sup>3</sup> /h)		

# REMARQUES

**Zodiac Pool Systems LLC**

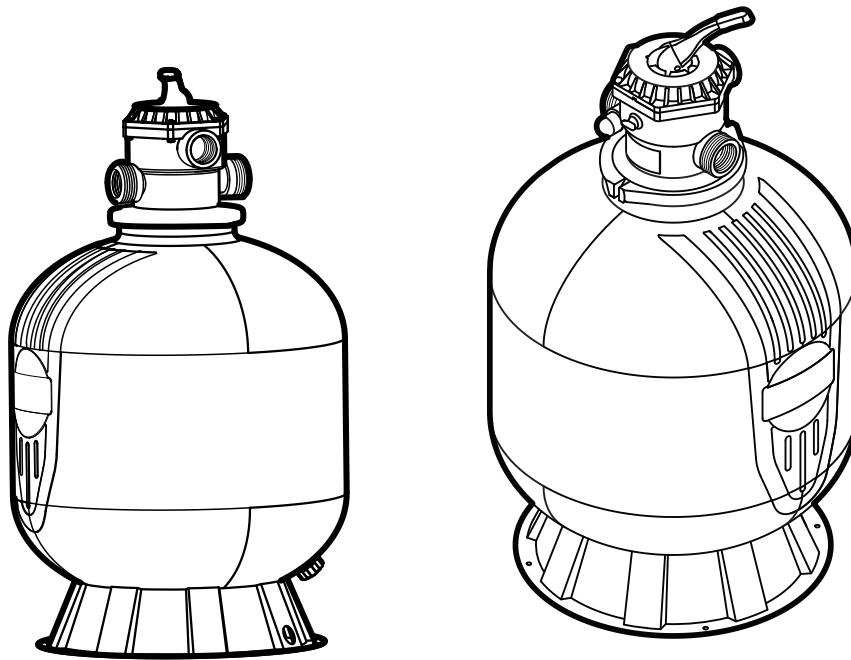
2882 Whiptail Loop # 100  
Carlsbad, CA 92010  
1.800.822.7933  
polarispool.com

**Zodiac Pool Systems Canada, Inc.**

2-3365 Mainway, Burlington,  
ON L7M 1A6  
1.800.822.7933  
polarispool.ca



# PRESTIGE



## Filtro de arena sobre el piso PAG19SF, PAG22SF

### Manual del propietario ESPAÑOL

#### ADVERTENCIA

**PARA SU SEGURIDAD:** La instalación y el servicio técnico de este producto deben estar a cargo de un contratista cualificado y matriculado para trabajar con equipamientos para piscinas en la jurisdicción en la que se instalará el producto, donde existan tales requisitos estatales o locales. La persona encargada del mantenimiento debe ser profesional y contar con experiencia suficiente en la instalación y el mantenimiento de equipos para piscinas, para que todas las instrucciones de este manual se puedan seguir con exactitud. La instalación y la operación incorrectas pueden crear una alta presión peligrosa, que puede provocar una falla catastrófica del producto y hacer que la válvula multipuerto sea expulsada y provoque la muerte, lesiones graves o daños materiales.

**NO MODIFIQUE ESTE EQUIPO.**



Antes de instalar este producto, lea y siga todos los avisos de advertencia y todas las instrucciones que se proporcionan con el producto. Si no se siguen los avisos de advertencia y las instrucciones, es posible que se produzcan la muerte, lesiones graves o daños materiales. Para obtener ayuda, comuníquese con el servicio al cliente de Polaris al 1-800-822-7933.

Una instalación u operación incorrectas pueden anular la garantía.

# Contenido

- Sección 1. Instrucciones importantes de seguridad..... 27**
- Sección 2. Contenido del paquete ..... 28**
  - 2.1 Contenido .....28
  - 2.2 Herramientas y equipos requeridos .....28
- Sección 3. Ubicación del equipo..... 29**
  - 3.1 Base del equipo .....29
  - 3.2 Ubicación del filtro .....29
- Sección 4. Preparación inicial..... 29**
  - 4.1 Instalación del paquete del sistema.....29
  - 4.2 Instalación del concentrador y de los laterales .....29
  - 4.3 Llenar con arena .....30
  - 4.4 Ensamblaje de la válvula multipuerto .....30
  - 4.5 Instalar la válvula multipuerto .....30
  - 4.6 Tuberías.....31
- Sección 5. Operación ..... 31**
  - 5.1 Funciones de la válvula del filtro.....31
  - 5.2 Puesta en funcionamiento inicial .....32
  - 5.3 Presión operativa .....32
  - 5.4 Cómo cambiar la arena del filtro .....33
  - 5.5 Preparación para el invierno.....33
- Sección 6. Especificaciones..... 34**

## REGISTRO DE INFORMACIÓN DEL EQUIPO

FECHA DE INSTALACIÓN \_\_\_\_\_

INFORMACIÓN DEL INSTALADOR \_\_\_\_\_

LECTURA INICIAL DEL MANÓMETRO (CON FILTRO LIMPIO) \_\_\_\_\_

MODELO DE BOMBA \_\_\_\_\_

CABALLOS DE FUERZA \_\_\_\_\_

NOTAS: \_\_\_\_\_  
 \_\_\_\_\_  
 \_\_\_\_\_

## Sección 1. Instrucciones importantes de seguridad

### LEA Y SIGA TODAS LAS INSTRUCCIONES

#### **⚠ ADVERTENCIA**



**LA PRESIÓN OPERATIVA MÁXIMA DEL FILTRO ES DE 35 PSI. NUNCA SOMETA EL FILTRO A NINGUNA PRESIÓN OPERATIVA QUE SUPERE LOS 35 PSI**

- No conecte el sistema a un sistema de agua municipal sin regular ni a ninguna otra fuente externa de agua presurizada que produzca presiones de más de 35 PSI.
- Este filtro opera bajo alta presión. Cuando cualquier parte del sistema de circulación (es decir, filtro, bomba, válvulas, etc.) se somete a servicio, puede acceder aire al sistema y presurizarse cuando se reinicia el sistema.
- El aire presurizado en un sistema puede provocar la falla del producto o que la válvula cuadrante salga expulsada, lo que puede resultar en la muerte, en lesiones personales graves o en daños materiales.
- Para minimizar el riesgo de lesiones graves o de muerte, no se deben someter el filtro ni la bomba a la prueba de presurización de tuberías. Las normativas locales pueden requerir que el sistema de tuberías de la piscina sea sometido a una prueba de presión. Estos requisitos no suelen estar destinados a los equipos para piscinas como filtros o bombas. Los equipos para piscinas Polaris se someten a pruebas de presión en la fábrica.

Sin embargo, si no se puede respetar esta **ADVERTENCIA** y las pruebas de presión del sistema de tuberías deben incluir el filtro y la bomba, **ASEGÚRESE DE CUMPLIR LAS SIGUIENTES INSTRUCCIONES DE SEGURIDAD.**

- Verifique todos los pernos, las abrazaderas, las tapas, los dispositivos de bloqueo y los accesorios del sistema para asegurarse de que estén correctamente instalados y asegurados antes de la prueba.
- LIBERE TODO EL AIRE del sistema antes de la prueba.
- La presión de agua para la prueba **NO DEBE EXCEDER** los 35 PSI.
- La temperatura del agua para la prueba **NO DEBE EXCEDER** LOS 100 °F (38 °C).
- Limite la prueba a 24 horas. Después de la prueba, verifique visualmente el sistema para asegurar que esté listo para su operación.

**AVISO:** Estos parámetros se aplican únicamente a los equipos Polaris. En el caso de equipos ajenos a Polaris, consulte al fabricante.

Para evitar el riesgo de descarga eléctrica, que puede provocar lesiones graves o la muerte:

- Asegúrese de que toda electricidad al sistema esté apagada antes de inspeccionar, llevar a cabo la resolución de problemas o aproximarse a cualquier válvula o tubería con fugas que podrían haber humedecido otros dispositivos eléctricos en el área circundante.
- El agua descargada de un filtro o de una válvula posicionados incorrectamente puede provocar un peligro eléctrico que puede causar la muerte, lesiones graves o daños materiales.
- La instalación incorrecta de la válvula cuadrante puede provocar la falla del producto o que el cuadrante del filtro salga expulsado, lo que puede resultar en la muerte, en lesiones personales graves o en daños materiales.
- Nunca intente ajustar ni extraer la válvula cuadrante con la bomba en funcionamiento o si hay presión en el sistema. Esto puede provocar la falla del producto o que el cuadrante del filtro salga expulsado, lo que puede resultar en la muerte, en lesiones personales graves o en daños materiales.

#### **⚠ PRECAUCIÓN**

- Mantenga el manómetro en buen estado de funcionamiento. El manómetro es el indicador principal de la manera en que funciona el filtro.
- La creación de niveles altos de presión puede provocar grietas y fugas en la cámara del tanque, con la posibilidad de daños materiales.
- Asegúrese de que todas las disposiciones de eliminación de aguas residuales cumplan los códigos locales, provinciales o nacionales. Durante cualquier proceso de retrolavado o drenaje, se descargarán 100 galones de agua, o más. No descargue el agua donde provocaría inundaciones o daños.
- Para evitar el daño en los laterales (rayos), agregue lentamente el medio del filtro hasta que los laterales estén completamente cubiertos. Consulte el manual de instalación y operación para obtener las instrucciones completas de llenado de arena. Los laterales (rayos) agrietados o rotos provocarán que se descargue arena a la piscina.



Atención, instalador: Este manual contiene información importante sobre la instalación, la operación y el uso seguros de este producto. Esta información debe ser entregada al dueño u operador de este equipo.

### GUARDE ESTAS INSTRUCCIONES

## Sección 2. Contenido del paquete







### 2.1 Contenido

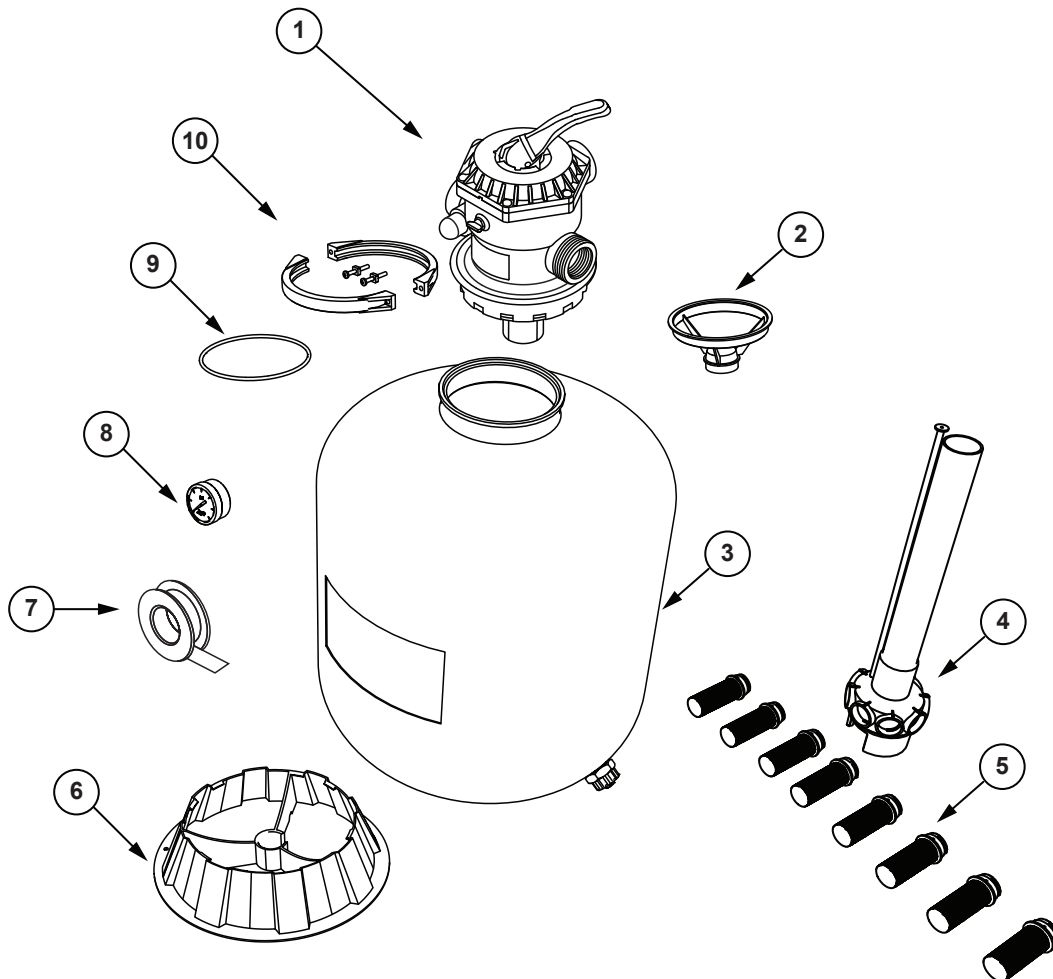
Desembale y verifique el contenido. Si faltan piezas o hay piezas dañadas, llame al servicio de soporte al cliente al 800.822.7933.

ELEMENTO	DESCRIPCIÓN	CANT.
1	Válvula multipuerto	1
2	Protector de arena	1
3	Tanque del filtro	1
4	Conjunto del cubo lateral	1
5	Laterales	8
6	Base	1
7	Cinta de PTFE	1
8	Manómetro	3
9	Junta tórica de la válvula	3
10	Brazo de abrazadera	2
	Perno de retención	2
	Tuerca de captura	2

### 2.2 Herramientas y equipos requeridos

La lista de equipos siguiente debe estar presente y disponible para el instalador en el momento de la instalación. Si no se usan los equipos de seguridad y de instalación adecuados, pueden producirse lesiones personales o daños materiales.

	Gafas de seguridad		Nivel
	Pala		Pinza ajustable
	Guantes		Destornillador Phillips





## Sección 3. Ubicación del equipo

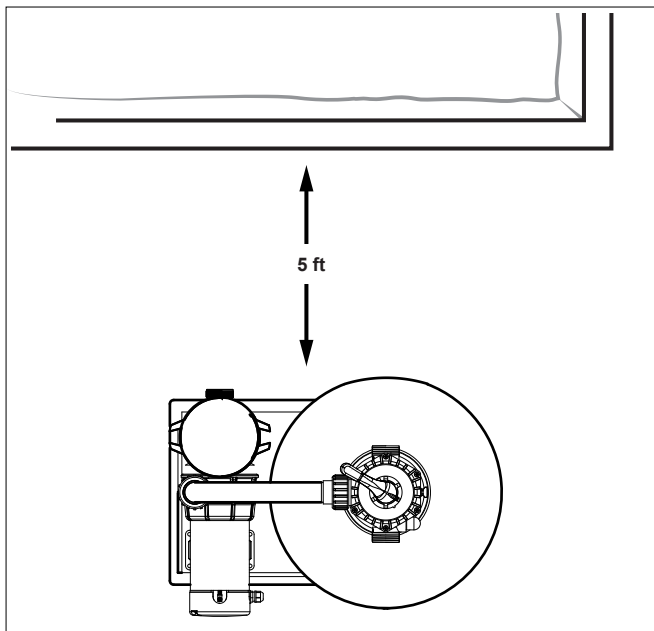
Todos los componentes del sistema de recirculación de agua de la piscina deben instalarse en conformidad con las normas y con las instrucciones en vigencia en su condado o municipalidad. Debe tenerse mucho cuidado para asegurarse que el equipo esté ubicado de tal modo que pueda operarse y mantenerse con seguridad.

### 3.1 Base del equipo

El filtro, al igual que los demás componentes principales del sistema de recirculación del agua de la piscina, debe instalarse en una base nivelada y preparada que pueda soportar el peso del filtro (consulte Sección 4.3 Tabla 1) y que admita el uso de pernos de anclaje para fijar el equipo en su lugar. Debe utilizarse una superficie nivelada sólida, pero no se requiere hormigón. Revise los códigos de construcción locales para conocer cualquier requisito adicional.

De ser posible, el área de la base del equipo debe estar:

- Seca.
- Bien ventilada.
- Provista del drenaje suficiente.
- Fuera de la luz directa del sol.
- Ubicada fuera de aleros o voladizos sin canaletas pluviales.
- Alejada de los árboles o del follaje que podrían producir residuos de cualquier tipo que podrían obstruir, bloquear o afectar de alguna otra manera el funcionamiento regular y el mantenimiento del equipo.
- Tan cerca como resulte posible del cuerpo de agua principal. El largo adicional de tubo reduce la eficiencia debido a la fricción del tubo.
- Posicione el filtro a un mínimo de 5 ft (1,5 m) de la piscina, o separado mediante una barrera permanente. Posicione el filtro y todos los componentes del sistema de filtrado de modo tal que los niños pequeños NO puedan utilizarlos como medio de acceso a la piscina.



### 3.2 Ubicación del filtro

En la base del equipo, el filtro debe posicionarse de modo que esté:

- A al menos 5 pies de distancia de cualquier control o entrada eléctricos, excepto para la toma tipo conexión a tierra con protección de GFCI de suministro del motor de la bomba de la piscina ubicada a al menos 6 pies de la pared interior de la piscina, 3 m (10 pies) en Canadá.
- En línea con los demás equipos, para minimizar los giros de tubería que podrían resultar en una menor eficiencia.
- Fijo y no sujeto a movimientos.
- El equipo debe instalarse sobre una superficie firme, sólida, no absorbente y nivelada, y conforme a los requisitos de los códigos locales y la jurisdicción con autoridad competente (AHJ). El equipo puede pesar hasta 325 libras. Utilice materiales de superficie de montaje debidamente clasificados para evitar el riesgo de cierre, y nunca utilice arena para nivelar el equipo porque la arena se lava. Revise los códigos de construcción locales para conocer los requisitos adicionales.
- Posicione el filtro a un mínimo de 5 ft (1,5 m) de la piscina, o separado mediante una barrera permanente. Posicione el filtro y todos los componentes del sistema de filtrado de modo tal que los niños pequeños NO puedan utilizarlos como medio de acceso a la piscina.

## Sección 4. Preparación inicial

### 4.1 Instalación del paquete del sistema

#### 4.1.1 Instalación del filtro

1. Posicione el tanque sobre la base de modo tal que haya acceso al conjunto de drenaje, no enfrentado hacia la piscina y que no drene sobre la bomba.
2. Alinee las patas del filtro en la base, tal como se muestra. Gire 1/4 en sentido antihorario.

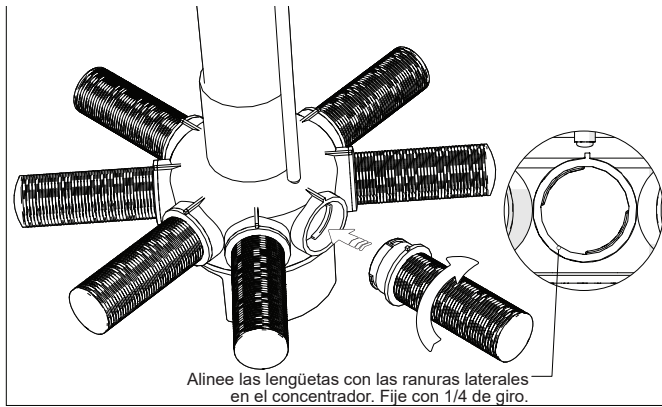
**NOTA:** Es posible que el tanque del filtro tenga movimiento en la base hasta que se coloque arena dentro del tanque.

### 4.2 Instalación del concentrador y de los laterales

1. Inspeccione los laterales y el conjunto del concentrador lateral en busca de daños o residuos. Reemplace o limpie donde sea necesario. Extiéndase hacia el tanque del filtro e instale el resto
2. Conecte el tubo de respiración al concentrador lateral.
3. Lleve el concentrador sobre la abertura del tanque.
4. Alinee y conecte uno de los ocho (8) laterales en el concentrador. Gire ¼ en sentido horario para que calce a presión en su lugar.
5. Inclíne el concentrador con el lateral conectado e insértelo en el tanque.

**NOTA:** Coloque el cabezal del tubo de respiración sobre el borde de la abertura del tanque.

6. Conecte los siete (7) laterales restantes al cubo dentro del tanque. No apriete demasiado.



### 4.3 Llenar con arena

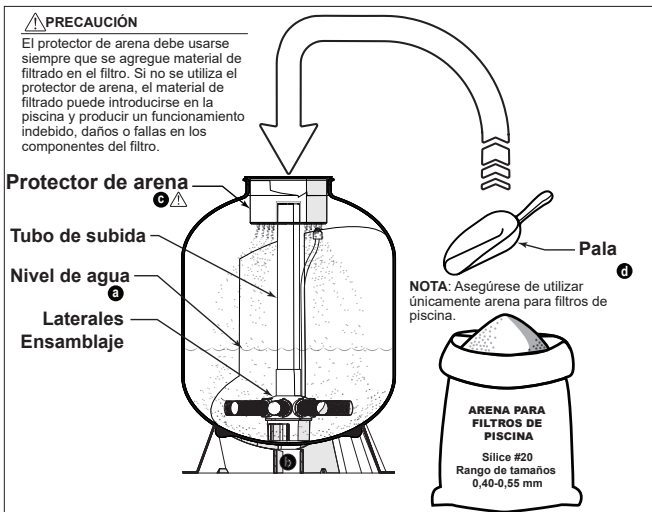
El tipo, la cantidad y la limpieza correctos de la arena del filtro son fundamentales para el funcionamiento adecuado y la duración del equipo.

Arena de sílice n.º 20 (para uso en filtros para piscinas únicamente) Rango de tamaños 0,40-0,55 mm		NOTA: Materiales de filtrado alternativos
Modelo	Lb (kg)	Deben seguirse las indicaciones del fabricante para cualquier material alternativo. El uso de otros materiales puede producir resultados inesperados y puede anular la garantía.
PAG19SF	150 lb (68 kg)	
PAG22SF	250 lb (113 kg)	

1. Asegúrese de que el filtro esté nivelado en la base del equipo.

**NOTA:** Mueva el tubo de respiración dentro del tanque en la parte superior de la superficie de la arena.

2. Prepare el filtro para la arena.
  - a Llene el filtro 1/3 - 1/2 de agua antes de agregar la arena.
    - Esto minimizará el estrés adicional sobre los laterales cuando se agregue la arena.
  - b Asegúrese de que el tubo de subidas esté asentado en la parte inferior del tanque del filtro.
  - c Instale el protector de arena.
    - El protector de arena debe cubrir completamente la abertura del tubo.
    - Debe tenerse particular cuidado de evitar que la arena del filtro ingrese al tubo de subida.
  - d Con una pala pequeña, agregue arena de manera lenta y pareja al filtro.
    - Asegúrese de permitir que el protector de arena se drene completamente entre palada y palada para evitar derrames.

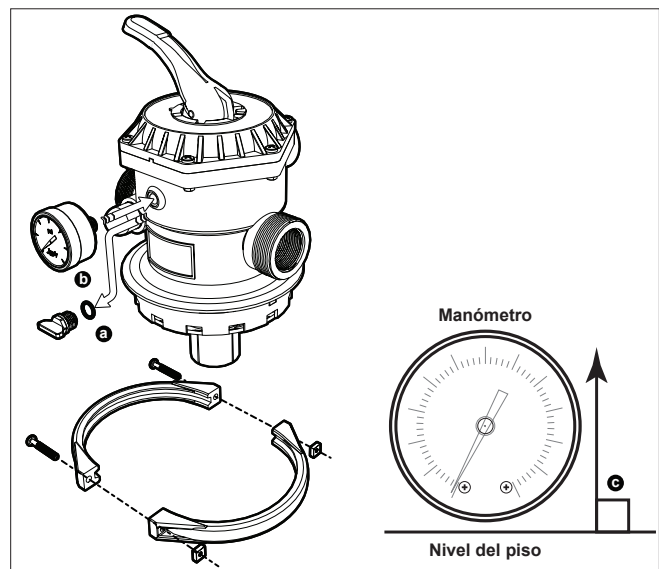


Cuando se haya agregado toda la arena del filtro:

3. Extraiga el protector de arena y guárdelo para su uso futuro.

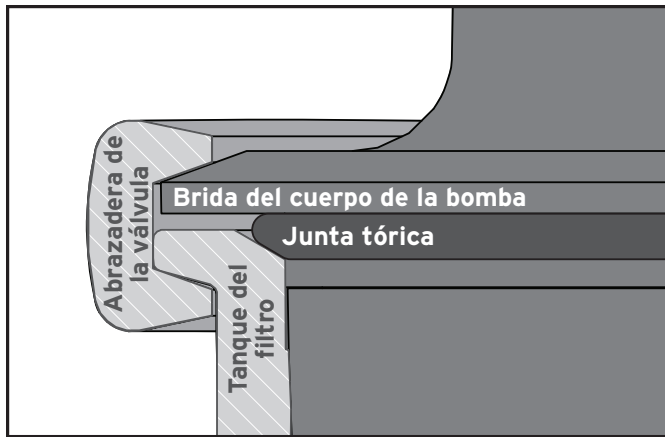
### 4.4 Ensamblaje de la válvula multipuerto

1. Instale el manómetro.
  - a Extraiga el tapón del puerto del manómetro.
  - b Instale el manómetro.
    - Atorníllelo en su lugar hasta que esté ajustado. **NO APRIETE DEMASIADO.**
    - De ser posible, oriente el indicador para que esté alineado horizontalmente. La cinta de Teflon® que se incluye puede utilizarse para obtener la orientación y el ajuste adecuados.
  - c De ser posible, oriente el medidor para que esté legible correctamente y perpendicular al nivel del piso.
    - Aplique de 4 a 6 envolturas de cinta de PTFE (de plomería) para cada adaptador de unión instalado en la válvula multipuerto. Instale únicamente cinta de PTFE (de plomería) en las roscas del adaptador en los puertos de la válvula.
    - No utilice cinta de PTFE (de plomería) en las roscas de las tuercas de las uniones.

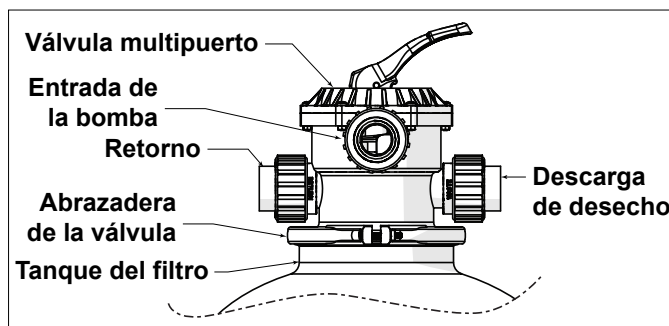


### 4.5 Instalar la válvula multipuerto

1. Dé vuelta el conjunto de la válvula. Instale la junta tórica de la válvula/del tanque de modo que esté asentada debajo de la brida del cuerpo de la válvula.
2. Asiente la válvula en el taque del filtro con el tubo de subida fijo en el puerto central del cuerpo de la válvula multipuerto.
3. Asegúrese de que los puertos de la bomba y de retorno estén orientados de modo tal que se minimicen las curvas y las uniones en las tuberías.
4. Posicione la abrazadera de la válvula de modo tal que capture tanto la brida del cuerpo de la válvula como el tanque del filtro.



5. Posicione la abrazadera de la válvula multipuerto de modo tal que los pernos queden accesibles después de conectar las tuberías del filtro.
6. Use un destornillador Phillips para fijar la abrazadera.
7. Alterne al apretar la abrazadera de la válvula de lado a lado.
8. No apriete demasiado la abrazadera.



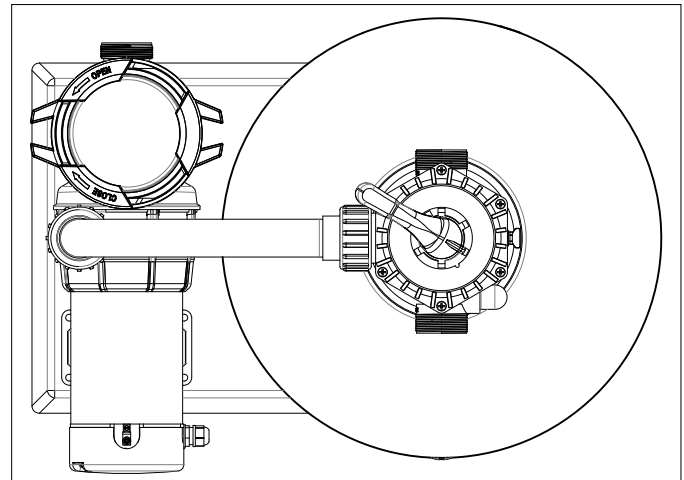
## 4.6 Tuberías

### ⚠ ADVERTENCIA

El adhesivo y el imprimador de PVC pueden producir emanaciones que pueden resultar peligrosas para la salud. Use adhesivo de PVC para unir tubos únicamente en un área bien ventilada donde no puedan acumularse emanaciones.

NUNCA debe utilizarse sellador para tubos en las roscas plásticas. El sellador para tubos debilitará gravemente el plástico y provocará fugas, y posiblemente la fractura del plástico. **NO APRIETE DEMASIADO.**

Asegúrese de que todas las conexiones de las tuberías estén en conformidad con los códigos para tuberías y construcción locales.



1. Con un adhesivo para tubos adecuado, conecte el filtro al sistema de recirculación de agua de la piscina.
2. Conecte la línea de descarga de la bomba al puerto de la bomba en la válvula multipuerto.
3. Conecte la línea de retorno al puerto de retorno en la válvula multipuerto.
4. Conecte la línea de desecho al puerto de desecho en la válvula multipuerto.
5. Conecte los tubos con las uniones suministradas con el filtro. No use cinta de PTFE (de plomería) ni sellador para tubos en ninguna tuerca de unión. Ensamble las uniones secas y apriete con la mano.
6. Los adaptadores de las tuberías tienen un tamaño para tubos de PVC de 1,1/2".

## Sección 5. Operación

Este filtro opera bajo presión. Cuando se sujeta correctamente y se opera sin aire en el sistema de agua, el filtro operará de manera segura. Todas las conexiones de las tuberías deben estar en conformidad con los códigos para tuberías y construcción locales. **No use compuestos para uniones de tubos, adhesivos ni solventes en las roscas de las tuercas de las uniones.**

### 5.1 Funciones de la válvula del filtro

**La bomba del filtro debe estar apagada antes de llevar a cabo cualquier ajuste en la válvula multipuerto.** Al poner en funcionamiento la bomba después de hacer ajustes en la válvula, asegúrese de permanecer alejado del filtro. Asegúrese de que todas las disposiciones de eliminación de aguas residuales cumplan los códigos locales, estatales o nacionales.

Al establecer la manija de la válvula en:

- **FILTER (Filtro):** Pasa agua a través de la arena del filtro y regresa a la piscina. Establézcala para la operación normal de filtrado. La válvula multipuerto debe estar en esta posición para toda circulación típica de filtrado e higienización.
- **WASTE (Desecho):** El agua omite la arena del filtro y se dirige al puerto de desecho.
- **RECIRCULATE (Recircular):** El agua omite la arena del filtro y se redirige a la piscina.

- **CLOSED (Cerrada):** Cierra todos los pasajes a través de la válvula multipuerto.
- **WINTER (Invierno):** Esta posición de la válvula deja la manija de la válvula multipuerto desconectada y todos los pasajes a través de la válvula abiertos para el drenaje. Una vez que el filtro está drenado, se recomienda que la manija de la válvula se conserve en posición Winter (Invierno). Consulte las instrucciones de preparación para el invierno en la sección 5.6
- **BACKWASH (Retrolavado):** Pasa agua a través de la arena del filtro en reversa y se envía al puerto de desecho. Con la bomba en funcionamiento, verifique con frecuencia la transparencia del agua en la mirilla. Cuando el agua esté visiblemente transparente, el ciclo de retrolavado está completado.
- **RINSE (Enjuague):** El agua pasa a través del filtro de arena hacia el desecho. Use esta opción después del ciclo de retrolavado para limpiar los residuos de la válvula multipuerto. El enjuague debe funcionar durante 1 o 2 minutos.

## 5.2 Puesta en funcionamiento inicial

1. Asegúrese de que todas las conexiones estén firmes y que cualquier conexión o unión de tuberías con adhesivo hayan tenido suficiente tiempo de curado.
2. Retrolave la arena del filtro.
  - Establezca la válvula multipuerto en la opción de retrolavado.
3. Encienda la bomba del filtro.
  - Se descargará agua por el puerto de desecho.
  - Con la bomba en funcionamiento, verifique con frecuencia la transparencia del agua en la mirilla o en el puerto de desecho.
  - Cuando el agua esté visiblemente transparente, el ciclo de retrolavado está completado.
4. Apague la bomba del filtro.
5. Establezca la válvula en la opción de enjuague.
6. Permanezca lejos del filtro y encienda la bomba de filtro.
  - Se descargará agua por el puerto de desecho.
7. Permita que el filtro funcione durante 1 o 2 minutos.
8. Apague la bomba del filtro.
9. Establezca la válvula multipuerto en la opción de filtro.
10. Permanezca alejado del filtro.
11. Encienda la bomba del filtro y permita que funcione normalmente.
  - Se descargará agua a la piscina desde el puerto de retorno.
  - Tome la lectura de presión del manómetro mientras la bomba del filtro está funcionando a las RPM habituales de filtrado.
  - Registre los PSI del manómetro. Esta es la presión de puesta en funcionamiento inicial y el filtro está limpio. Se requiere un retrolavado cuando la lectura de presión es consistentemente 10 PSI mayor que la presión de la puesta en funcionamiento inicial.

## 5.3 Presión operativa

### ⚠ ADVERTENCIA



**LA PRESIÓN OPERATIVA MÁXIMA DEL FILTRO ES DE 35 PSI. NUNCA SOMETA EL FILTRO A NINGUNA PRESIÓN OPERATIVA QUE SUPERE LOS 35 PSI**

- No conecte el sistema a un sistema de agua municipal sin regular ni a ninguna otra fuente externa de agua presurizada que produzca presiones de más de 35 PSI.
- Este filtro opera bajo alta presión. Cuando cualquier parte del sistema de circulación (es decir, filtro, bomba, válvulas, etc.) se somete a servicio, puede acceder aire al sistema y presurizarse cuando se reinicia el sistema.
- El aire presurizado en un sistema puede provocar la falla del producto o que la válvula cuadrante salga expulsada, lo que puede resultar en la muerte, en lesiones personales graves o en daños materiales.
- Para minimizar el riesgo de lesiones graves o de muerte, no se deben someter el filtro ni la bomba a la prueba de presurización de tuberías. Las normativas locales pueden requerir que el sistema de tuberías de la piscina sea sometido a una prueba de presión. Estos requisitos no suelen estar destinados a los equipos para piscinas como filtros o bombas. Los equipos para piscinas Polaris se someten a pruebas de presión en la fábrica.

Sin embargo, si no se puede respetar esta **ADVERTENCIA** y las pruebas de presión del sistema de tuberías deben incluir el filtro y la bomba, **ASEGÚRESE DE CUMPLIR LAS SIGUIENTES INSTRUCCIONES DE SEGURIDAD.**

- Verifique en su totalidad las abrazaderas, los tornillos, las tapas, los anillos de bloqueo y los accesorios del sistema para asegurar que estén correctamente instalados y fijos antes de la prueba.
- **LIBERE TODO EL AIRE** del sistema antes de la prueba.
- La presión de agua para la prueba **NO DEBE EXCEDER** los 35 PSI.
- La temperatura del agua para la prueba **NO DEBE EXCEDER** LOS 100 °F (38 °C).
- Limite la prueba a 24 horas. Después de la prueba, verifique visualmente el sistema para asegurar que esté listo para su operación.

**NOTA:** Estos parámetros se aplican únicamente a los equipos Polaris. En el caso de equipos ajenos a Polaris, consulte al fabricante.

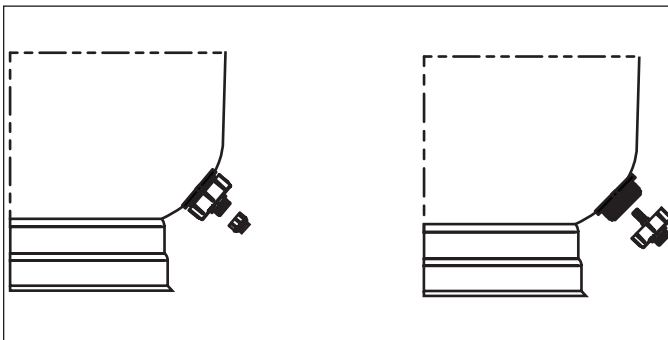
El filtro está diseñado para funcionar de manera eficaz con base en la curva de desempeño que se detalla debajo. El filtro no debe someterse nunca a presiones internas mayores a 35 psi.

1. Después de la puesta en funcionamiento inicial, haga funcionar la bomba del filtro durante varios minutos.
2. Tome nota de la presión de funcionamiento y registre la lectura de presión de la puesta en funcionamiento inicial.
3. Verifique la presión operativa con frecuencia, al menos una vez por semana.
4. Se requiere un procedimiento de retrolavado cuando la lectura de presión es consistentemente 10 PSI mayor que la presión de la puesta en funcionamiento inicial. **NO SUPERE LOS 35 PSI.**
5. Siga el procedimiento de retrolavado y enjuague.
6. Si después del retrolavado del filtro no es posible reducir la presión lo suficiente para asegurar presiones operativas por debajo de los 35 PSI, debe reemplazar la arena del filtro.

#### 5.4 Cómo cambiar la arena del filtro

La arena del filtro debe quitarse desde la abertura de la válvula multipuerto.

1. Afloje los pernos de la abrazadera.
2. Extraiga la abrazadera.
3. Extraiga la válvula multipuerto.
4. Use una aspiradora húmeda/seca o un dispositivo de succión similar para aspirar la arena anterior del tanque del filtro.
5. Para proteger los laterales, la arena alrededor de los laterales puede vaciarse con el tapón de drenaje inferior.



6. Mantenga suficiente agua en el tanque del filtro para mantener la arena en un estado semifluido de "lodo".
7. Vuelva a colocar arena en el filtro (consulte la sección 4.3).

**NOTA:** La arena debe reemplazarse cada 3 a 5 años.

## ⚠ ADVERTENCIA

Asegúrese de eliminar correctamente la arena usada del filtro. La arena usada del filtro no es apta para el contacto con humanos o mascotas.

#### 5.5 Preparación para el invierno

Apague la bomba.

1. Apague la bomba del filtro.
2. Pase la válvula multipuerto a la opción de recircular.
3. Vacíe todas las líneas de las tuberías.
4. Para descargar el filtro, extraiga el manómetro o desconecte una de las uniones.
5. Extraiga los tapones de drenaje de la bomba del filtro y del filtro al drenaje.
6. Pase la válvula multipuerto a la posición "Winter" (Invierno).
7. Cubra el sistema con una lona o lámina plástica para protegerlo del clima.

## Sección 6. Especificaciones

Modelo	Diámetro	Área de filtrado	Arena de filtrado (0,4 a 0,55 mm, n.º 20, sílice)	Caudales	Presión de trabajo máxima	Temp. máxima
PAG19SF	19 in (485 mm)	1,90 ft <sup>2</sup> (0,176 m <sup>2</sup> )	150 lb (68 kg)	40 gpm (9,10 m <sup>3</sup> /h)	35 psi (2,4 bar)	104 °F (40 °C)
PAG22SF	22 in (559 mm)	2,69 ft <sup>2</sup> (0,250 m <sup>2</sup> )	250 lb (113 kg)	53 gpm (12,10 m <sup>3</sup> /h)		

# NOTAS

**Zodiac Pool Systems LLC**

2882 Whiptail Loop # 100  
Carlsbad, CA 92010  
1.800.822.7933  
polarispool.com

**Zodiac Pool Systems Canada, Inc.**

2-3365 Mainway, Burlington,  
ON L7M 1A6  
1.800.822.7933  
polarispool.ca